

**Kawasaki**

**MULE™**

**2019**  
**GENUINE**  
ACCESSORIES



\* Professional Riders on a Closed Course \*

# Kawasaki

# MULE®

MULE PRO-FXR™.....	03
MULE PRO-FXT™ / MULE PRO-DXT™.....	23
MULE PRO-FX™ / MULE PRO-DX™.....	51
MULE™ 4010 TRANS4X4® / 4010 TRANS4X4® DIESEL.....	79
MULE™ 4000 / 4010 4X4 / 4010 4X4 DIESEL.....	91
MULE PRO-MX™.....	105
MULE SX™.....	127
MULE™ 610 / 600.....	143



MULE™, MULE PRO-FXR™, MULE PRO-FXT™, MULE PRO-DXT™, MULE PRO-FX™, MULE PRO-DX™, MULE SX™, and Trans4x4® are trademarks of Kawasaki. Price and specifications are subject to change without notice or liability. Availability is subject to production, stocking and demand. Manufacturer's suggested retail prices shown.





APPAREL

MULE™

TERRY®

ATV

SPORT / DUAL SPORT

OFFROAD PERFORMANCE

CRUISER

WATERCRAFT

WINCHES

ESSENTIALS

INDEX



FOR THE FULL SELECTION OF WARN® WINCHES  
OF WARN® WINCHES CATALOG



**WARN** WARN®, the WARN logo and THE RED HOOK STRAP are registered trademarks of Warn Industries, Inc. ProVantage™ and Vantage™ are trademarks of Warn Industries, Inc.

# Kawasaki

2" Hitch Drawbar, 4" Drop .....	TX750-015 .....	20
20" LED Light Bar .....	99994-1110 .....	16
Accessory Fuse Box .....	99994-1082 .....	14
Audio System .....	99994-0966 .....	05
Back-Up beeper .....	KAF080-030 .....	19
Brush Guard .....	99994-1030 .....	15
Cargo Bed Divider .....	KAF080-037 .....	18
Cargo Bed lift .....	KAF080-002 .....	17
Cargo Bed Mat .....	99994-0962 .....	18
Cargo Light .....	99994-1109 .....	16
Cargo Light Harness & Bracket Kit .....	99994-0970 .....	16
Center Console .....	KAF080-032 .....	06
Chrome Hitch Ball, 1 7/8" .....	KAF127 .....	20
Chrome Hitch Ball, 2" .....	KAF136 .....	20
CV Joint Guard Set, Front .....	99994-0428 .....	16
CV Joint Guard Set, Rear .....	99994-0429 .....	16
Dual Battery Kit .....	KAF080-025 .....	19
Flip-Up Polycarbonate Windshield .....	99994-1054 .....	10
Floor Mat Set .....	KAF080-033 .....	07
Headlight Guard Set .....	99994-1031 .....	15
Headrest .....	99994-0859 .....	06
Headrest Bracket .....	99994-0972 .....	06
Heater .....	KAF080-008 .....	07
Hitch Pin, 5/8" .....	TLR39 .....	20
Horn .....	99994-0455 .....	19
KQR™ Accessories Mount .....	KAF080-012 .....	19
KQR™ Cargo Bed Extender .....	KAF080-022 .....	18
KQR™ Cargo Box .....	KAF080-017 .....	19
KQR™ Full Polycarbonate Windshield .....	99994-1052 .....	09
KQR™ Full Windshield, Glass .....	99994-1053 .....	09
KQR™ Half Windshield .....	KAF080-027 .....	09
KQR™ Polycarbonate Rear Panel .....	99994-1333 .....	11
KQR™ Soft Rear Panel .....	99994-1055 .....	08
KQR™ Soft Upper Door Set .....	99994-1056 .....	08
LED Headlight Set .....	99994-0959 .....	16
LED Light Bar Harness & Bracket Kit .....	99994-0965 .....	16
Packages - MULE PRO-FXR™		
Adventure Package .....	99969-3771 .....	21
Open Range Package .....	99969-3770 .....	21
Utility Package .....	99969-3769 .....	21
Plow Base .....	KW79805 .....	13
Plow Blade .....	KW79958 .....	13
Plow Mount .....	KAF080-009 .....	13
Polycarbonate Door Set .....	99994-1332 .....	11
Premium Side Mirror Set .....	99994-0856 .....	07
Rearview Mirror .....	TX750-077 .....	07
Reducer Bushing .....	TLR36A .....	20
Skid Plate Set .....	99994-0957 .....	15
Standard Side Mirror Set .....	99994-0855 .....	07
Storage Cover .....	KAF080-073 .....	20
Tail Light Guard Set .....	99994-0424 .....	15
Underseat Storage Bin .....	99994-1029 .....	06
Universal Ignition Switch .....	27005-0626 .....	06
Winch Mount .....	99994-0687 .....	14
Windshield Washer .....	KAF080-024 .....	10
Windshield Wiper .....	KAF080-011 .....	10



# MULE PRO-FXR™



WARN®, the WARN logo and THE RED HOOK STRAP are registered trademarks of Warn Industries, Inc. ProVantage™ and Vantage™ are trademarks of Warn Industries, Inc.



FOR THE FULL SELECTION OF WARN® WINCHES WINCHES CATALOG



APPAREL

MULE™

TERRY®

ATV

SPORT / DUAL SPORT

OFFROAD PERFORMANCE

CRUISER

WATERCRAFT

WINCHES

ESSENTIALS

INDEX



## A Audio System

The Audio System is engineered to consistently deliver great sound • Center mount Audio System controller is designed to integrate into your machine, and features an AM/FM Bluetooth® radio • The Audio System utilizes a four channel 180 watt internal amplifier and powers four high end speakers • Speakers are mounted in composite enclosures 2 below the dash and 2 on the ROPS • These enclosures help resist the elements and add to the sound quality of the high and low frequencies • The Audio System installs easily in your MULE PRO-FXR™ side x side

### ADDITIONAL STEREO FEATURES:

AM/FM/Bluetooth®/USB stereo • 10m (32") Bluetooth™ Range • Large LCD display with backlit controls • 40w x 4 maximum output for powerful sound • RCA amplifier line-out • Two additional accessory switch knockouts located in mounting plate • Large waterproof buttons for Play/Pause, Tracks Forward/Back, Volume Up/Down and Power On/Off functions that are easy to operate with riding gloves on

### ADDITIONAL SPEAKERS FEATURES:

4 165mm (6.5") Waterproof 2-way full range speakers • Protected against sun fade with UVA paint coating • Conformal coated crossover components help protect against dust and sand • 12dB Butterworth Internal crossover for smooth transition from high to lower frequencies • High temperature composite enclosure secure the speakers to the machine and aide in assuring deep bass • Bridged woofers/tweeters • 19mm (.75") pure titanium dome tweeter • Composite poly cone provides sharp deep bass while remaining waterproof • High energy strontium ferrite magnet for higher output with minimal amplifier power • 300 watts peak power handling • 150 watts RMS power handling

MULE PRO-FXR™ (18-19)

Audio System ..... 99994-0966..... \$599.95

## A Audio System



## A Audio System



## B Center Console



## C Universal Ignition Switch



## B Center Console

Store small tools, important documents and additional items in this durable water-resistant Center Console • Hinged lid locks into place when closed • Dual drink holders molded into console • Console is covered with a 19mm (3/4") thick foam pad for driver and passenger comfort • Attaches quickly and easily to the front bench seat in the center passenger position with provided shock cords • Made of roto-molded HDPE with a textured black finish • Dimensions of Center Console are 533mm (21") L x 260mm (10 1/4") W x 203 (8") H

MULE PRO-FXR™ (18-19)  
Center Console ..... KAF080-032..... \$125.95

## C Universal Ignition Switch

The Universal Ignition Switch allows the use of one key for many different vehicles • Simply replace the stock ignition switch with the Universal Ignition Switch in all of the vehicles that you would like to use the same key • Fits MULE PRO-MX™ side x sides

MULE PRO-FXR™ (18-19)  
Universal Ignition Switch..... 27005-0644..... \$55.95

## D Headrest / Headrest Bracket



## D Headrest

Offers additional occupant comfort • Made from high-density foam with a molded Kawasaki logo • Sold as one individual headrest • Headrest Bracket (99994-0972) required for mounting Headrest (99994-0859) , sold separately

MULE PRO-FXR™ (18-19)  
Headrest..... 99994-0859..... \$94.95  
Headrest Bracket ..... 99994-0972..... \$24.95

## E Underseat Storage Bin

Storage space is always at premium, especially when on the trail or at the job site • Add an additional 28 liters of storage capacity securely and out of sight with this easy-to-access Underseat Storage Bin • Mounts under front bench seat with no added hardware • Polyethylene construction • Matching snap-on lid to keep your cargo protected • Storage Bin removes easily for cleaning once installed

MULE PRO-FXR™ (18-19)  
Underseat Storage Bin..... 99994-1029..... \$145.95

## E Underseat Storage Bin





### A Floor Mat Set

These 4.7mm ( $\frac{3}{16}$ " ) extra thick rubber mats have been molded for a perfect fit and mount directly to the floorboard to prevent movement while operating • The extra thick rubber also reduces sound levels caused from vibration

MULE PRO-FXR™ (18-19)

Floor Mat Set ..... KAF080-033..... \$144.95

### B Rearview Mirror

3D curved safety glass mirror provides increased field of view • Textured black powder coating • Aluminum mounting with 43mm diameter clamp • 273mm (10  $\frac{3}{4}$ " ) L x 89mm (3  $\frac{1}{2}$ " ) H

MULE PRO-FXR™ (18-19)

Rearview Mirror..... TX750-077..... \$59.95

### C Standard Side Mirror Set

Vertical shatter-resistant safety glass mirror sits in high-impact plastic housing • Convex mirror surface increases the driver's field of view • Adaptive 360° bracket rotation provides preferred viewing position • Mirrors attach directly to vehicle ROPS • Not compatible with KQR™ Soft Upper Door Set (99994-1056)

MULE PRO-FXR™ (18-19)

Standard Side Mirror Set ..... 99994-0855..... \$59.95

### D Premium Side Mirror Set

Horizontal shatter-resistant safety glass mirror sits in cast aluminum armored housing • Convex mirror surface increases the driver's field of view • Adaptive 360° bracket rotation provides preferred viewing position • An enclosed floating mirror mount helps adjust and protect the mirror within its housing • Kawasaki logos are embossed on the seal cap and back • Cap is weather sealed to help protect the hardware from moisture and debris • Mirrors attach directly to vehicle ROPS

MULE PRO-FXR™ (18-19)

Premium Side Mirror Set..... 99994-0856..... \$159.95

### E Heater

This fully integrated system dramatically improves in-cabin comfort during those cold mornings and long winters • Utilizes the heat generated from your engine's liquid cooling system • Distributes hot air throughout the cabin via two adjustable automotive style floor vents • The system also features a windshield defroster vent to eliminate condensation or clear frost from your windshield • 2-speed blower • 22,000 BTU • Durable textured black powder coating • Can be used alone or in conjunction with the KQR™ Soft Rear Panel (99994-1055) and KQR™ Soft Upper Door Set (99994-1056)

MULE PRO-FXR™ (18-19)

Heater ..... KAF080-008..... \$725.95

### A Floor Mat Set



### B Rearview Mirror



### C Standard Side Mirror Set



### D Premium Side Mirror Set



### E Heater





## F KQR™ Soft Rear Panel

-KQR™-



## F KQR™ Soft Rear Panel

600 Denier Sur Last® water-resistant material easily attaches to vehicle with quick release buckles and hook-and-loop straps • Large rear window zips open for increased airflow • Creates a full enclosure when combined with the KQR™ Soft Upper Door Set (99994-1056) and one of three windshields: Flip-Up Polycarbonate Windshield (99994-1054), KQR™ Full Polycarbonate Windshield (99994-1052) or KQR™ Full Glass Windshield (99994-1053) • Soft Rear Panel does not require Soft Upper Door Set but should be used in combination with a windshield

Towable on open trailers when used in combination with any full windshield (Flip-Up Polycarbonate Windshield must be in the closed position) and the KQR™ Soft Upper Door Set • Vehicle must be positioned in the forward facing direction when towing • Remove for towing on an open trailer if KQR™ Soft Upper Door Set is not installed

MULE PRO-FXR™ (18-19)  
KQR™ Soft Rear Panel..... 99994-1055..... \$159.95

## G KQR™ Soft Upper Door Set

-KQR™-



## G KQR™ Soft Upper Door Set

KQR™ Soft Upper Door Set features a quick release design and can be easily installed or removed

- 600 Denier Sur Last® water-resistant Soft Upper Door Set attaches to stock doors and is held closed with the existing door latching system • Large side windows offer additional light and unzip for added ventilation when desired • Seals to ROPS • Creates a full enclosure when combined with the Soft Rear Panel (99994-1055) and one of three windshields: Flip-Up Polycarbonate Windshield (99994-1054), KQR™ Full Polycarbonate Windshield (99994-1052) or KQR™ Full Glass Windshield (99994-1053)

Towable on open trailers when used in combination with any full windshield (Flip-Up Polycarbonate Windshield must be in the closed position) and KQR™ Soft Rear Panel • Vehicle must be positioned in the forward facing direction, KQR™ Soft Upper Door Set must be closed, and tow strap connected when towing

MULE PRO-FXR™ (18-19)  
KQR™ Soft Upper Door Set ..... 99994-1056..... \$539.95

APPAREL

MULE™

TERYX®

ATV

SPORT / DUAL-SPORT

OFFROAD PERFORMANCE

CRUISER

WATERCRAFT

WINCHES

ESSENTIALS

INDEX



### A KQR™ Half Windshield

Deflect direct wind blasts while maintaining comfortable air-flow throughout cabin with the KQR™ Half Windshield • KQR™ mounting system allows for easy installation or removal once installed

- Made from scratch-resistant polycarbonate
- Drilling required for center mount bracket

Vehicle must be positioned in the forward facing direction when towed on open trailers

MULE PRO-FXR™ (18-19)

KQR™ Half Windshield, Plastic ..... KAF080-027..... \$209.95

### B KQR™ Full Polycarbonate Windshield

Durable scratch-resistant windshield with vent system helps provide improved ventilation and cabin comfort • Made from 6mm (0.236") scratch-resistant polycarbonate (hard coated) • Installation requires no drilling • KQR™ mounting system allows for easy installation and removal once installed

Vehicle must be positioned in the forward facing direction when towed on open trailers

MULE PRO-FXR™ (18-19)

KQR™ Full Polycarbonate Windshield..... 99994-1052..... \$599.95

### C KQR™ Full Windshield, Glass

The KQR™ Glass Windshield can be quickly installed or removed without tools after initial installation • Helps provide protection from wind and debris for improved in-cabin comfort • Made from DOT approved AS1 safety glass

Vehicle must be positioned in the forward facing direction when towed on open trailers

MULE PRO-FXR™ (18-19)

KQR™ Full Windshield, Glass..... 99994-1053..... \$709.95

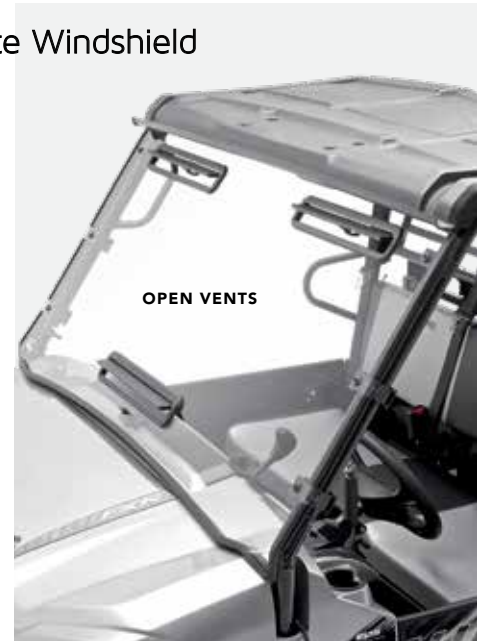
### A KQR™ Half Windshield

-KQR™-



### B KQR™ Full Polycarbonate Windshield

-KQR™-



### C KQR™ Full Windshield, Glass

-KQR™-



## D Flip-Up Polycarbonate Windshield



## D Flip-Up Polycarbonate Windshield

Three-position Flip-Up Polycarbonate Windshield provides the option for a sealed windshield with the ability to flip up to let just the right amount of air into the cabin • Closed and vented positions allow occupants to limit air flow when driving while the fully open position provides maximum airflow while stopped • Made from 6mm (0.236") scratch-resistant polycarbonate (hard coated) • Installation requires no drilling

Windshield must be closed and latched and vehicle facing forward when towed on open trailers

MULE PRO-FXR™ (18-19)  
Flip-Up Polycarbonate  
Windshield..... 99994-1054..... \$799.95

## E Windshield Washer

Directs washing fluid onto accessory glass windshield • Flexible plastic container holds cleaning solution • For use on glass windshield only • Requires Glass Windshield (99994-1053), Windshield Wiper (KAF080-011), and Accessory Fuse Box (99994-1082)

MULE PRO-FXR™ (18-19)  
Windshield Washer ..... KAF080-024..... \$189.95

## F Windshield Wiper

Clear debris off the windshield with our Windshield Wiper • The kit mounts to the upper center portion of your windshield • Switch operated • Features a 110° sweep radius • 508mm (20") black flex blade • Windshield Washer (KAF080-024) recommended • For use on glass windshield only • Requires Full Windshield - Glass (99994-1053), Front Accessory Harness (KAF080-043) and Accessory Fuse Box (99994-1082)

MULE PRO-FXR™ (18-19)  
Windshield Wiper..... KAF080-011..... \$269.95

FLIP-UP COMPLETELY OPEN



FLIP-UP INTERIOR LATCH



## E Windshield Washer



## F Windshield Wiper



APPAREL  
MULE™  
TERRY®  
ATV  
SPORT / DUAL SPORT  
OFFROAD PERFORMANCE  
CRUISER  
WATERCRAFT  
WINCHES  
ESSENTIALS  
INDEX



## A Hard Cab Enclosure

Complete Hard Cab Enclosure requires Polycarbonate Rear Panel (99994-1333), Polycarbonate Door Set (99994-1332) and the choice of three windshields: KQR™ Full Windshield Glass (99994-1392), KQR™ Flip-Up Polycarbonate Windshield (99994-0853), or KQR™ Full Windshield, Plastic (99994-0852) • Offered as a set of two, polycarbonate doors feature locable latches • Doors securely fasten to existing hinges • Side windows offer additional light and open for added ventilation • Use only as component of the Hard Cab Enclosure

### MULE PRO-FXR™ (18-19)

KQR™ Polycarbonate Rear Panel. 99994-1333.....\$423.95  
 Polycarbonate Door Set..... 99994-1332..... \$TBD  
 KQR™ Full Polycarbonate  
 Windshield..... 99994-1052..... \$599.95  
 KQR™ Full Windshield, Glass..... 99994-1053..... \$709.95  
 Flip-Up Polycarbonate  
 Windshield..... 99994-1054..... \$799.95

## KQR™ Polycarbonate Rear Panel

Creates a full cab enclosure when used with the Hard Cab Enclosure, Polycarbonate Door Set (99994-1332) or KQR™ Soft Upper Door Set (99994-1056) and any Full Windshield • Durable .177" polycarbonate helps provide good visibility and prevent dust intrusion • Requires no drilling, and can be installed or removed easily

Towable on open trailers when used in combination with any full windshield (Flip-Up Polycarbonate Windshield must be in the closed position) and the Polycarbonate Door Set • Vehicle must be positioned in the forward facing direction when towing • Remove for towing on an open trailer if Polycarbonate Door Set is not installed

### MULE PRO-FXR™ (18-19)

KQR™ Polycarbonate Rear Panel. 99994-1333.....\$423.95

## Polycarbonate Door Set

Creates comfortable full hard cab enclosure when used with KQR™ Polycarbonate Rear Panel and any Full Windshield • Minimal frame design and clear durable .177" polycarbonate shell provides maximum visibility and lighting inside the cab • Three position, scratch resistant, upper glass window gives the option for a sealed door to help keep out the elements, partially open for venting, or a fully open to let more air into the cabin • Features lockable latches

Towable on open trailers when used in combination with any full windshield (Flip-Up Polycarbonate Windshield must be in the closed position) and KQR™ Polycarbonate Rear Panel • Vehicle must be positioned in the forward facing direction and Polycarbonate Door Set must be closed

### MULE PRO-FXR™ (18-19)

Polycarbonate Door Set..... 99994-1332..... \$TBD

## A Hard Cab Enclosure, Rear Panel and Door Set



### MULE PRO-FXR™ SHOWN WITH:

- FLIP-UP POLYCARBONATE WINDSHIELD
- KQR™ POLYCARBONATE REAR PANEL
- POLYCARBONATE DOOR SET



-KQR™-



# MULE PRO-FXR™



WINDOW OPEN



WINDOW VENTED

APPAREL

MULE™

TERYX®

ATV

SPORT / DUAL SPORT

OFFROAD PERFORMANCE

CRUISER

WATERCRAFT

WINCHES

ESSENTIALS

INDEX



## Plow

Increase the capabilities of your MULE PRO-FXR™ side x side by adding a WARN® ProVantage™ Front Mount Plow. Designed specifically for your MULE™ vehicle, this plow features an easy-to-use rapid connection system. With this system, you can plow away unwanted material, disconnect the plow and free your MULE™ side x side for other applications.

For a complete kit, order the following items:  
 Plow Mount KAF080-009  
 Plow Frame KW79805  
 Plow Blade KW79958  
 Winch Mount 99994-0687  
 Accessory Fuse Box 99994-1082

And your choice of winch:  
 4500S KAF080-051  
 4500 KAF080-050  
 4000S KAF080-053  
 4000 KAF080-052  
 See Winch catalog for description.

Note: Accessory Fuse Box, Winch, and Winch Mount required for raising and lowering the Plow Blade.

WARN®, the WARN logo and THE RED HOOK STRAP are registered trademarks of Warn Industries, Inc. ProVantage™ and Vantage™ are trademarks of Warn Industries, Inc.

### A Plow Frame

Features an extra wide design, a forward trip system, and an interlocked rotating base plate • Designed for strength, durability, and impact resistance  
 • 5-point adjustment system (30°, 15°, 0°, -15°, -30°) offers a solution for a wide range of plowing scenarios

MULE PRO-FXR™ (18-19)  
 Plow Frame .....KW79805..... \$369.95

### B Plow Mount

3-step rapid connection system featuring a self-locating pin allows you to remove the Plow Blade and Base quickly

MULE PRO-FXR™ (18-19)  
 Plow Mount ..... KAF080-009..... \$419.98

### C Plow Blade

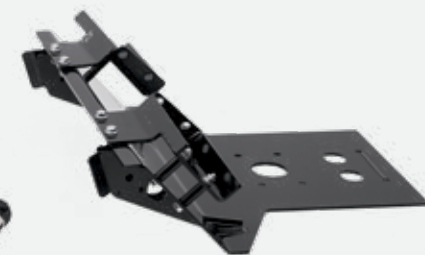
Made from thick 12-gauge steel with heavy-duty ribbing and a center cross member for added rigidity • Boxed design adds extra support • Special low-friction powdercoated finish helps keep material from sticking to the blade • 1,829mm (72") width allows you to move a large amount of material at one time

MULE PRO-FXR™ (18-19)  
 Plow Blade .....KW79958..... \$389.95

## A Plow Frame



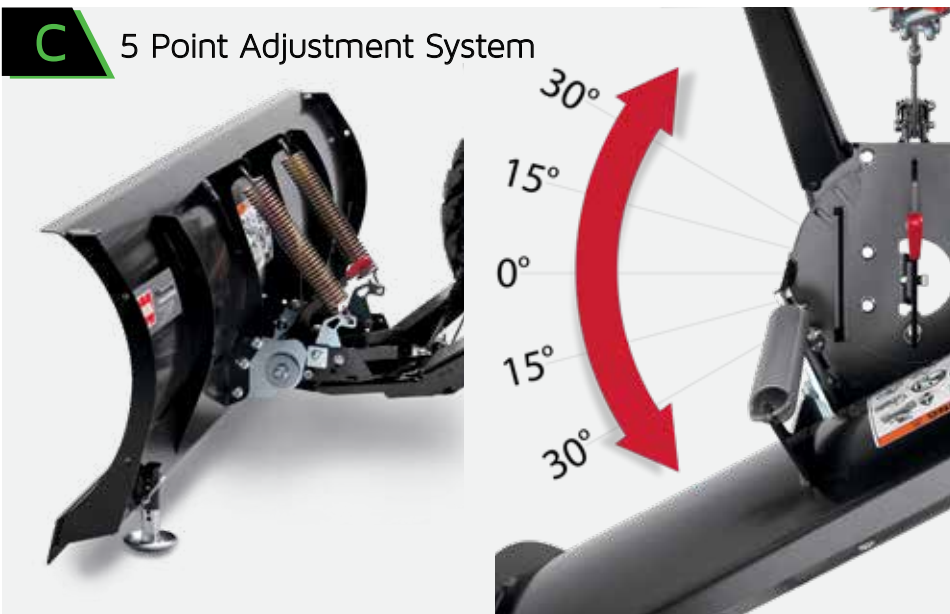
## B Plow Mount



## C Plow Blade



## C 5 Point Adjustment System



**D** Winch Mount



**E** Accessory Fuse Box



**D** Winch Mount

A Winch Mount is required when installing a WARN® ProVantage™ or Vantage™ winch and roller fairlead to your vehicle. Four-bolt pattern allows for hassle-free installation of WARN® product. Increase the capabilities of your MULE PRO-FXR™ side x side by adding a WARN® ProVantage™ Front Mount Plow. Designed specifically for your MULE™ vehicle, this plow features an easy-to-use rapid connection system. With this system, you can plow away unwanted material, disconnect the plow and free your MULE™ side x side for other applications.

MULE PRO-FXR™ (18-19)  
Winch Mount..... 99994-0687..... \$114.95

**E** Accessory Fuse Box

The Accessory Fuse Box allows for seamless integration and the convenience of operating up to 6 Kawasaki Genuine Accessories from the comfort of your vehicle's cabin. Utilizes the pre-installed chassis mounted tubing. Required for installation of WARN® ProVantage™ Plow Systems and Winches.

MULE PRO-FXR™ (18-19)  
Accessory Fuse Box ..... 99994-1082..... \$329.95

**WARN** FOR THE FULL SELECTION OF WARN® WINCHES WINCHES CATALOG 

**MULE PRO-FXR™ SHOWN WITH:**

- KQR™ FULL WINDSHIELD, GLASS
- WINDSHIELD WIPER
- PLOW (FRAME, MOUNT, BLADE)



APPAREL

MULE™

TERRY®

ATV

DUAL SPORT

OFFROAD PERFORMANCE

UTILITY

WATER

ESSENTIALS

INDEX



## A Brush Guard

Add protection and aggressive style to the front of your vehicle with this durable laser cut, formed steel brush guard • Black powder coating to match the stock front bumper for a uniform look • Mounts over the stock bumper with included hardware • Includes mounting holes for Kawasaki Genuine Headlight Guard Set (99994-1031) • Does not interfere with Kawasaki Genuine Winch Mount (99994-0687) or Plow System

MULE PRO-FXR™ (18-19)

Brush Guard ..... 99994-1030..... \$339.95

## B Skid Plate Set

Help protect your drivetrain and chassis with a durable two-piece HMW (High-Molecular Weight) Kawasaki Genuine Skid Plate Set • Constructed of 6.35mm ( $\frac{1}{4}$ " ) thick HMW these skid plates help provide additional protection to your investment's under body • Molded in louvers to help maintain proper air flow • Designed to easily replace OEM guards

MULE PRO-FXR™ (18-19)

Skid Plate Set ..... 99994-0957..... \$219.95

## C Headlight Guard Set

Steel guards help protect the headlights • Black powder coating to match the Brush Guard (99994-1030) • Mounts to Kawasaki Genuine Brush Guard (99994-1030), required

MULE PRO-FXR™ (18-19)

Headlight Guard Set ..... 99994-1031..... \$139.95

## D Tail Light Guard Set

Reduce the risk of damage and related repairs • Powder coated in textured black to provide a uniform look with stock components • Made of 2.2mm ( $\frac{1}{16}$ " ) thick steel • Some drilling and rivet gun required

MULE PRO-FXR™ (18-19)

Tail Light Guard Set ..... 99994-0424..... \$49.95



## B Skid Plate Set



## C Headlight Guard Set



## D Tail Light Guard Set





## E CV Joint Guard set



REAR SET



FRONT SET

## F 20" LED Light Bar



## G LED Headlight Set



## H Cargo Light



## E CV Joint Guard Sets

While operating your vehicle, these lightweight CV Joint Guards help protect your a-arms, axles, brake lines and CV Boots • In addition, the full-coverage design adds a custom look to your vehicle • Made of 4.7mm (3/16") thick 5052 aluminum • Brushed aluminum finish

MULE PRO-FXR™ (18-19)

Front CV Joint Guard Set ..... 99994-0428..... \$149.95  
Rear CV Joint Guard Set..... 99994-0429..... \$149.95

## F 20" LED Light Bar

Work or play, some things need to get done after the sun goes down • 4 flood light reflectors and 12 spot beam reflectors for a total of 16 LED lights • Combination flood/spot light • UV-resistant polycarbonate lens • Wire harness allows for connection to both the accessory plug, behind the dashboard, and to the Accessory Fuse Box (99994-1082) • 12V DC Input • Requires LED Light Bar Harness and Bracket Kit (99994-0965) sold separately • Accessory Fuse Box (99994-1082) required if additional electrical accessories are installed • LED Light Bar Harness and Bracket Kit includes switch, wire harness and mounting hardware

MULE PRO-FXR™ (18-19)

20" LED Light Bar ..... 99994-1110..... \$286.95  
LED Light Bar  
Harness & Bracket Kit ..... 99994-0965..... \$119.95

## G LED Headlight Set

Add these high output LED Headlights to your base model MULE PRO-FXR™ side x side • New reflector style utilizes 2 individual LEDs • Replaces outer halogen lights

MULE PRO-FXR™ (18-19)

LED Headlight Set..... 99994-0959..... \$269.95

## H Cargo Light

Illuminate your cargo or simply shed some light on the rear of your vehicle • 76mm x 76mm (3" x 3") cube light with 4 LEDs using flood beam pattern reflectors • Cast aluminum housing with black powder coating • Includes mounting bracket and hardware • Operated by included dash mounted switch • Mounts to Plastic Roof • Requires Cargo Light Harness & Bracket Kit (99994-0970) to operate

MULE PRO-FXR™ (18-19)

Cargo Light ..... 99994-1109..... \$99.95  
Cargo Light  
Harness & Bracket Kit ..... 99994-0970..... \$119.95

# MULE PRO-FXR™

## A Cargo Bed Lift

Raise and lower your cargo bed with a hydraulic Cargo Bed Lift • Self-contained hydraulic system; no hoses, no reservoir to fill or top off, no bleeding process • Durable steel construction

MULE PRO-FXR™ (18-19)

Cargo Bed Lift..... KAF080-002.. \$1,029.95

## A Cargo Bed Lift



**MULE PRO-FXR™ SHOWN WITH:**  
• CARGO BED LIFT

## B Cargo Bed Mat



## B Cargo Bed Mat

Help protect your cargo bed base with this tough 6.35mm (1/4") extra thick rubber mat • Textured molded ribs help prevent cargo from sliding • Helps reduce sound levels caused from vibration • Made of durable EPDM thick black molded rubber • Oil resistant • Features MULE™ logo in center of Cargo Bed Mat

MULE PRO-FXR™ (18-19)  
Cargo Bed Mat..... 99994-0962..... \$129.95

## C Cargo Bed Divider

Roto molded PE plastic panel designed to fit in the slots of the MULE PRO-FXR™ side x side bed sides in multiple configurations • Kit includes one panel that divides the bed into two sections for convenient loading • Additional kits can be added to further divide the cargo bed

MULE PRO-FXR™ (18-19)  
Cargo Bed Divider ..... KAF080-037..... \$74 .95

## C Cargo Bed Divider



## D KQR™ Cargo Bed Extender

Extend your usable cargo space by 203mm (8") with this durable roto-molded plastic Bed Extender

- Simply lower the tailgate and attach the extender to the bed rails with two KQR™ Accessory Mounts
- Easily adjust to different cargo sizes by sliding the clamps forward or backward or by reversing the entire Bed Extender to create a divider • Two KQR™ Accessory Mounts included

MULE PRO-FXR™ (18-19)  
KQR™ Cargo Bed Extender ..... KAF080-022..... \$179.95

## D KQR™ Cargo Bed Extender



APPAREL

MULE™

TERYX®

ATV

SPORT / DUAL SPORT

OFFROAD PERFORMANCE

CRUISER

WATERCRAFT

WINCHES

ESSENTIALS

INDEX



## A KQR™ Cargo Box

Add storage within your vehicle's cargo bed

- Quickly attaches to either cargo bed rail
- Ample internal storage space for transporting tools, equipment, straps, tie-downs, emergency kits, trail snacks, etc...
- KQR™ Cargo Box measures 356mm (14") L x 356mm (14") W x 432mm (17") H
- Material: Molded LDPE black plastic
- Includes internal tool tray
- Requires qty. 2 KQR™ Accessories Mounts (KAF080-012) sold separately

MULE PRO-FXR™ (18-19)

KQR™ Cargo Box ..... KAF080-017..... \$84.95  
KQR™ Accessories Mount..... KAF080-012..... \$19.95

## B KQR™ Accessories Mount

Required for quick-mounting the KQR™ Cargo Box (KAF080-017) and KQR™ Gun Boot Mount (KAF080-013) to the vehicle bed and rear cab rail

- Constructed of black anodized aluminum for durability
- Mounts are sold individually
- Refer to each KQR™ accessory for the quantity of mounts required

MULE PRO-FXR™ (18-19)

KQR™ Accessories Mount..... KAF080-012..... \$19.95

## C Dual Battery Kit

Not Compatible with 2018-2019 MULE PRO-FXT™ Ranch Edition models • This kit allows you to maintain two batteries in your vehicle • The Intelligent Solenoid (IS) manages the charging of both batteries while the vehicle is running and isolates them when the vehicle is off • This system also allows the second battery to be charged and/or isolated automatically

- Requires Battery (26012-0107), Accessory Fuse Box (KAF080-076), Battery Terminal Cap (11065-0285), Nut (92015-1406) qty 2, Bracket (92072-0128), Bushing (92152-0794) qty 2, Bolt (92151-1788) qty 2, Damper (92161-0578), and Damper (92161-0579) all sold separately

MULE PRO-FXR™ (18-19)

Dual Battery Kit..... KAF080-025..... \$415.95

## D Back-Up Beeper

Whether on the job site or the farm, a Back-Up Beeper is a useful addition to alert others that your vehicle is reversing • Emits 97db • Product meets O.S.H.A. regulations and SAEJ994 • Black with steel housing • Wires directly to the reverse switch on the transmission

MULE PRO-FXR™ (18-19)

Back-Up Beeper ..... KAF080-030..... \$140.95

## E Horn

Install a horn to alert others of your presence while on the job site or the trail • Mounts internally

- Includes switch

MULE PRO-FXR™ (18-19)

Horn ..... 99994-0455..... \$39.95

## A KQR™ Cargo Box



## B KQR™ Accessory Mount



## C Dual Battery Kit



## D Back-Up Beeper



## E Horn



## F Hitch Components



HITCH PIN

2" HITCH DRAWBAR, 4" DROP



CHROME HITCH BALL



REDUCER BUSHING



## F Hitch Components

Heavy duty 51mm (2") steel Hitch Drawbar with welded gusset • Hitch Pin and clip included with Hitch Drawbar as well as sold separately • 48mm (1 7/8") Hitch Ball with 19mm (3/4") diameter shank, and 51mm (2") Hitch Ball with 19mm (3/4") diameter available • When using Hitch Balls with a 19mm (3/4") shank, a Reducer Bushing (TRL36A) is required • 102mm (4") drop

### MULE PRO-FXR™ (18-19)

2" Hitch Drawbar, 4" Drop .....	TX750-015.....	\$36.95
Chrome Hitch Ball, 2" .....	KAF136.....	\$16.95
Chrome Hitch Ball, 1 7/8" .....	KAF127.....	\$17.95
Hitch Pin, 5/8" .....	TLR39.....	\$8.95
Reducer Bushing .....	TLR36A.....	\$14.95

## G Storage Cover

Help protect your vehicle during storage with this premium cover • Durable gray polyester fabric • UV resistant to prevent fading • Features silk screened Kawasaki logo for an O.E.M. appearance

Remove for towing or use an enclosed trailer when transporting a vehicle with a Storage Cover installed

### MULE PRO-FXR™ (18-19)

Storage Cover .....	KAF080-073A.....	\$249.95
---------------------	------------------	----------

## G Storage Cover



# MULE PRO-FXR™

## A Utility Package

The MULE PRO-FXR™ Utility Package includes the following accessories: Cargo Light (99994-1109), Cargo Light Harness & Bracket Kit (99994-0970), Horn (99994-0455), Tail Light Guard Set (99994-0424), Rear View Mirror (TX750-077), Cargo Bed Divider (KAF080-037), KQR™ Cargo Bed Extender (KAF080-022), 2 KQR™ Accessory Mounts (KAF080-022), Accessory Fuse Box (99994-1082), 2" Hitch Drawbar, 4" Drop (TX750-015), Chrome Hitch Ball 2" (KAF136), Reducer Bushing (TLR36A)

MULE PRO-FXR™ (18-19)

Utility Package ..... 99969-3769..... \$623.95

## B Open Range Package

The MULE PRO-FXR™ Open Range Package includes the following accessories: KQR™ Full Windshield, Polycarbonate (99994-1052), 20" LED Light Bar (99994-1110), LED Light Bar Harness & Bracket Kit (99994-0970), Brush Guard (99994-1030), Headlight Guard Set (99994-1031), Tail Light Guard Set (99994-0424), Floor Mat Set (KAF080-033), KQR™ Cargo Box (KAF080-017), 2 KQR™ Accessory Mounts, Accessory Fuse Box (99994-1082), 2" Hitch Drawbar, 4" Drop (TX750-015), Chrome Hitch Ball 2" (KAF136), Reducer Bushing (TLR36A)

MULE PRO-FXR™ (18-19)

Open Range Package ..... 99969-3770.. \$1,866.95

## C Adventure Package

The MULE PRO-FXR™ Adventure Package includes the following accessories: KQR™ Half Windshield (KAF080-027), Brush Guard (99994-1030), Headlight Guard Set (99994-1031), Front CV Joint Guard Set (99994-0428), Rear CV Joint Guard Set (99994-0429), Skid Plate Set (99994-0957), Rear View Mirror (TX750-077), Winch Mount Kit (99994-0687), Accessory Fuse Box (99994-1082) & WARN® Vantage™ 4000 Winch (KAF080-052)

MULE PRO-FXR™ (18-19)

Adventure Package ..... 99969-3771.. \$1,877.95

## A Utility Package



## B Open Range Package



## C Adventure Package





FOR THE FULL SELECTION  
OF WARN® WINCHES  
WINCHES CATALOG



**MULE PRO-FXR™ SHOWN WITH:**

- 20" LED LIGHT BAR
- HEADLIGHT GUARD SET
- BRUSH GUARD
- WINCH / WINCH MOUNT
- HEADRESTS
- REARVIEW MIRROR
- STANDARD SIDE MIRROR SET



WARN®, the WARN logo and THE RED HOOK STRAP are registered trademarks of Warn Industries, Inc. ProVantage™ and Vantage™ are trademarks of Warn Industries, Inc.

APPAREL

MULE™

TERRY®

ATV

SPORT / DUAL SPORT

OFFROAD PERFORMANCE

CRUISER

WATERCRAFT

WINCHES

ESSENTIALS

INDEX

# Kawasaki

2" Hitch Drawbar, 4" Drop .....	TX750-015 .....	47
Accessory Fuse Box (15-17) .....	KAF080-076 .....	29
Accessory Fuse Box (18) .....	99994-1082 .....	29
Accessory Harness, Front .....	KAF080-043 .....	29
Accessory Harness, Rear .....	KAF080-044 .....	29
Audio System .....	99994-0966 .....	25
Back-Up Beeper .....	KAF080-030 .....	46
Block Heater .....	99994-0741 .....	47
Brush Guard .....	99994-0412 .....	41
Cabin Fan .....	KAF080-023 .....	30
Cargo Bed Divider .....	KAF080-037 .....	45
Cargo Bed Lift .....	KAF080-002 .....	44
Cargo Bed Mat .....	KAF080-038 .....	45
Cargo Light .....	KAF080-031 .....	30
Center Console .....	KAF080-032 .....	26
Chrome Hitch Ball, 1 7/8" .....	KAF127 .....	47
Chrome Hitch Ball, 2" .....	KAF136 .....	47
Contoured Front Seat .....	99994-0874 .....	31
Curtis® Cabs and Accessories by Curtis®		
Accessory Fuse Panel Kit .....	1KAPFXFP .....	34
AS1 Glass Windshield .....	1KAPFXTCAS1 .....	32
Corner Flashers Kit .....	1KAPFXCFL .....	33
Dome Light .....	9LEDD14 .....	33
Front Windshield Wiper Kit .....	1KAPFXWK .....	34
FXT Hard Center Panel .....	1KAPFXTCP .....	32
FXT Soft Center Panel .....	1KAPFXTCP5 .....	32
Hard Cab Enclosure with Polycarbonate Windshield .....	1KAPFXTCA .....	32
Hard Cab Enclosure with Heavy Duty Spring Set .....	99994-0514 .....	32
Heater (In-Dash) .....	9PH20S61 .....	33
Low-Profile Front Lights .....	1KAPFXFWL .....	33
Low-Profile Rear Work Lights .....	1KAPFXRWL .....	33
Rearview Mirror .....	9PM3 .....	34
Roof Mount Beacon Strobe Light .....	9LEDS2 .....	34
CV Joint Guard Set, Front .....	99994-0428 .....	43
CV Joint Guard Set, Rear .....	99994-0429 .....	43
Dual Battery Kit .....	KAF080-025 .....	46
Dual DC Power Outlet Kit .....	99994-0595 .....	30
Flip-Up Polycarbonate Windshield .....	99994-0753 .....	38
Front Floor Mat Set .....	KAF080-033 .....	26
Front Rack .....	KAF080-021 .....	41
Hard Cab Enclosure, Front Door Set .....	KAF080-004 .....	27
Hard Cab Enclosure, Rear Door Set .....	KAF080-005 .....	27
Hard Cab Enclosure, Roof and Frame .....	KAF080-003 .....	27
Heater .....	KAF080-008 .....	30
Heavy Duty Spring Set .....	99994-0514 .....	27
Hitch Pin, 5/8" .....	TLR39 .....	47
Horn .....	99994-0455 .....	46
KQR™ Accessories Mount .....	KAF080-012 .....	46
KQR™ Cargo Bed Extender .....	KAF080-022 .....	45
KQR™ Cargo Box .....	KAF080-017 .....	46
KQR™ Full Windshield, Glass .....	KAF080-041 .....	37
KQR™ Full Windshield, Plastic .....	KAF080-001 .....	37
KQR™ Half Windshield .....	KAF080-027 .....	37
LED Beacon Strobe Light .....	KAF080-028 .....	29
LED Dome Light Set .....	KAF080-029 .....	30





# MULE PRO-FXT<sup>®</sup>

# MULE PRO-DXT<sup>™</sup>

LED Headlight Set (15-17) .....	99994-0539 .....	42
LED Headlight Set (18) .....	99994-1071 .....	42
LED Light Bar .....	KAF080-048 .....	42
LED Light Bar Harness Kit.....	KAF080-020 .....	42
Packages - MULE PRO-FXT <sup>™</sup> / PRO-DXT <sup>™</sup>		
Adventure Package.....	99969-3767 .....	50
Open Range Package .....	99969-3766 .....	49
Sportsman Package .....	99969-3768 .....	50
Utility Package .....	99969-3765 .....	49
Plastic Roof .....	99994-0545 .....	36
Plow Frame .....	KW79805 .....	39
Plow Blade .....	KW79958 .....	39
Plow Mount.....	KAF080-009 .....	39
Premium Side Mirror Set.....	99994-0856 .....	31
Rear Bumper .....	99994-0413 .....	42
Rear Floor Mat Set.....	KAF080-034 .....	26
Rearview Mirror.....	TX750-077 .....	31
Reducer Bushing .....	TLR36A .....	47
Replacement Roof.....	KAF080-056 .....	27
Seat Cover		
Black .....	99994-1151 .....	47
Realtree <sup>®</sup> Xtra <sup>®</sup> Green .....	KAF080-039 .....	47
Side Mirror Set.....	KAF080-014 .....	31
Skid Plate		
Front.....	99994-0438 .....	43
Mid .....	99994-0439 .....	43
Rear .....	99994-0512 .....	43
Soft Cab Enclosure, Roof and Back		
Black .....	KAF080-015 .....	35
Realtree <sup>®</sup> Xtra <sup>®</sup> Green .....	KAF080-046 .....	35
Soft Cab Enclosure, Soft Door Set		
Black .....	KAF080-016 .....	35
Realtree <sup>®</sup> Xtra <sup>®</sup> Green .....	KAF080-047 .....	35
Soft Roof		
Black .....	KAF080-018 .....	36
Realtree <sup>®</sup> Xtra <sup>®</sup> Green .....	KAF080-045 .....	36
Standard Side Mirror Set .....	99994-0855 .....	31
Storage Cover .....	KAF080-040 .....	48
Tail Light Guard Set.....	99994-0424 .....	42
Underseat Storage Bin.....	99994-1029 .....	26
Universal Ignition Switch.....	27005-0626 .....	26
Winch Mount.....	99994-0687 .....	40
Windshield Washer .....	KAF080-024 .....	29
Windshield Wiper.....	KAF080-011 .....	29



APPAREL

MULE<sup>™</sup>

TERRY<sup>®</sup>

ATV

SPORT / DUAL SPORT

OFFROAD PERFORMANCE

CRUISER

WATERCRAFT

WINCHES

ESSENTIALS

INDEX

**A Audio System**

The Audio System is engineered to consistently deliver great sound • Center mount Audio System controller is designed to integrate into your machine, and features an AM/FM Bluetooth® radio • The Audio System utilizes a four channel 180 watt internal amplifier and powers four high end speakers • Speakers are mounted in composite enclosures 2 below the dash and 2 on the ROPS • These enclosures help resist the elements and add to the sound quality of the high and low frequencies • The Audio System installs easily in your MULE PRO-FXT™ / PRO-DXT™ side x side

**ADDITIONAL STEREO FEATURES:**

AM/FM/Bluetooth™/USB stereo • 10m (32") Bluetooth® Range • Large LCD display with backlit controls • 40w x 4 maximum output for powerful sound • RCA amplifier line-out • Two additional accessory switch knockouts located in mounting plate • Large waterproof buttons for Play/Pause, Tracks Forward/Back, Volume Up/Down and Power On/Off functions that are easy to operate with riding gloves on

**ADDITIONAL SPEAKERS FEATURES:**

4 165mm (6.5") Waterproof 2-way full range speakers • Protected against sun fade with UVA paint coating • Conformal coated crossover components help protect against dust and sand • 12dB Butterworth Internal crossover for smooth transition from high to lower frequencies • High temperature composite enclosure secure the speakers to the machine and aide in assuring deep bass • Bridged woofers/tweeters • 19mm (.75") pure titanium dome tweeter • Composite poly cone provides sharp deep bass while remaining waterproof • High energy strontium ferrite magnet for higher output with minimal amplifier power • 300 watts peak power handling • 150 watts RMS power handling

MULE PRO-FXT™ (15-19), MULE PRO-DXT™ (16-19)  
Audio System ..... 99994-0966..... \$599.95



**A Audio System**



## B Center Console



## C Universal Ignition Switch



### B Center Console

Store small tools, important documents and additional items in this durable water-resistant Center Console • Hinged lid locks into place when closed • Dual drink holders molded into console • Console is covered with a 19mm ( $\frac{3}{4}$ " ) thick foam pad for driver and passenger comfort • Attaches quickly and easily to the front bench seat in the center passenger position with provided shock cords • Made of roto-molded HDPE with a textured black finish • Dimensions of Center Console are 533mm (21") L x 260mm (10  $\frac{1}{4}$ " ) W x 203 (8") H

MULE PRO-FXT™ (15-19), MULE PRO-DXT™ (16-19)  
Center Console ..... KAF080-032..... \$125.95

### C Universal Ignition Switch

The Universal Ignition Switch allows the use of one key for many different vehicles • Simply replace the stock ignition switch with the Universal Ignition Switch in all of the vehicles with which you would like to use the same key

MULE PRO-FXT™ (15-19), MULE PRO-DXT™ (16-19)  
Universal Ignition Switch..... 27005-0644..... \$55.95

## D Floor Mat Set



### D Floor Mat Set

These 4.7mm ( $\frac{3}{16}$ " ) extra thick rubber mats have been molded for a perfect fit and mount directly to the floorboard to prevent movement while operating • The extra thick rubber also helps to reduce sound levels caused from vibration

MULE PRO-FXT™ (15-19), MULE PRO-DXT™ (16-19)  
Front Floor Mat Set ..... KAF080-033..... \$144.95  
Rear Floor Mat Set ..... KAF080-034..... \$134.95

### E Underseat Storage Bin

Storage space is always at premium, especially when on the trail or at the job site • Add an additional 28 liters of storage capacity securely and out of sight with this easy-to-access Underseat Storage Bin • Mounts under front bench seat with no added hardware • Polyethylene construction • Matching snap-on lid to keep your cargo protected • Storage Bin removes easily for cleaning once installed

MULE PRO-FXT™ (15-19), MULE PRO-DXT™ (16-19)  
Underseat Storage Bin..... 99994-1029..... \$145.95

## E Underseat Storage Bin





## A Hard Cab Enclosure, Roof and Frame

Hard Cab Enclosure - Transform The Way You Live

Outfitting your vehicle with a Hard Cab Enclosure helps provide in-cabin comfort and protection from the weather • Constructed of black double wall TPO plastic with steel framework • Installation of the Hard Cab Enclosure does not impact ease of vehicle transformation • Roof tilts on gas shocks for easy access to engine • Each door features lockable latches, sliding safety glass side windows, and built-in mesh storage compartments for storage of small items • Front Doors and Rear Doors are sold separately in sets of two • Clear sliding window partition between front and rear seats to allow for complete cab enclosure whether in 3 or 6 passenger mode

The MULE PRO-FXT™/PRO-DXT™ Hard Cab Enclosure required components include Hard Cab Enclosure Roof and Frame (KAF080-003), Front Door Set (KAF080-004), Rear Door Set (KAF080-005), KQR™ Full Windshield, Glass (KAF080-041) or KQR™ Full Windshield, Plastic (KAF080-001), and Heavy-Duty Spring Set (99994-0514), all sold separately • Optional cab components such as Heater (KAF080-008), Side Mirror Set (KAF080-014), Beacon Strobe Light (KAF080-028), Cargo Light (KAF080-031), LED Dome Light Set (KAF080-029), Cabin Fan (KAF080-042), Heater (KAF080-008), Windshield Washer (KAF080-024), Windshield Wiper (KAF080-011), Accessory Fuse Box (99994-1082) (18) or (KAF080-076) (15-17), Front Accessory Harness (KAF080-043), and Rear Accessory Harness (KAF080-044) are also sold separately

Remove for towing or use an enclosed trailer when transporting a vehicle with a Hard Cab Enclosure installed.

MULE PRO-FXT™ (15-19), MULE PRO-DXT™ (16-19)	Roof and Frame .....	KAF080-003..	\$2,699.95
	Front Door Set (set of 2) .....	KAF080-004..	\$1,699.95
	Rear Door Set (set of 2) .....	KAF080-005..	\$1,759.95
	KQR™ Full Windshield, Glass .....	KAF080-041.....	\$732.95
	KQR™ Full Windshield, Plastic .....	KAF080-001.....	\$625.95
	Heavy Duty Spring Set.....	99994-0514.....	\$275.95

## B Heavy Duty Spring Set

Heavy-Duty Springs increase bottoming resistance when carrying a heavy load and/or when heavy accessories such as a Kawasaki Genuine Hard Cab Enclosure (KAF080-003) or Plow System are installed • Steel springs with gloss black finish: Two front springs and two rear springs included • Direct replacement of stock springs

MULE PRO-FXT™ (15-19), MULE PRO-DXT™ (16-19)	Heavy Duty Spring Set.....	99994-0514.....	\$275.95
--	----------------------------	-----------------	----------

## C Replacement Roof

Replacement roof for the Hard Cab Enclosure (KAF080-003)

MULE PRO-FXT™ (15-19), MULE PRO-DXT™ (16-19)	Replacement Roof.....	KAF080-056..	\$1,339.95
--	-----------------------	--------------	------------

## A Hard Cab Enclosure, Roof and Frame



## B Heavy Duty Spring Set



## C Replacement Roof



**MULE**  
PRO-FXT®

**MULE**  
PRO-DXT™



APPAREL

MULE™

TERRY®

ATV

SPORT / DUAL SPORT

OFFROAD PERFORMANCE

USER

WATERPROOF

ESSENTIAL

INDEX



### A Accessory Fuse Box

The Accessory Fuse Box allows for the seamless integration and the convenience of operating up to 6 Kawasaki Genuine Accessories from the comfort and confines of your vehicle's cabin • Required for installation of WARN® ProVantage™ Plow Systems and Winches

- MULE PRO-FXT™ (18-19), MULE PRO-DXT™ (18-19) Accessory Fuse Box (18-19) ..... 99994-1082..... \$329.95
- MULE PRO-FXT™ (15-17), MULE PRO-DXT™ (16-17) Accessory Fuse Box (15-17) ..... KAF080-076..... \$319.95

### B LED Beacon Strobe Light

Industrial grade components • LED bulbs • 40W / 12-80VDC • Acrylic amber colored lens and nylon base • SAE J575 and J845 compliant and waterproof to IP67 rating • Hard Cab Enclosure (KAF080-003) and related components required • Also requires Kawasaki Genuine Accessory Fuse Box (99994-1082) (18) or (KAF080-076) (15-17) and Rear Accessory Harness (KAF080-044) to operate

- MULE PRO-FXT™ (15-19), MULE PRO-DXT™ (16-19) LED Beacon Strobe Light..... KAF080-028..... \$619.95

### C Accessory Harness

Power your vehicle's electronic accessories the easy way • The Front and Rear Accessory Harnesses offer a convenient plug-in location for mounted accessories and routes otherwise unsightly wires through pre-molded channels in the Hard Cab Enclosure Roof • Hard Cab Enclosure (KAF080-003) and related components may be required

- MULE PRO-FXT™ (15-19), MULE PRO-DXT™ (16-19) Front Accessory Harness ..... KAF080-043..... \$105.95
- Rear Accessory Harness..... KAF080-044..... \$75.95

### D Windshield Washer

Directs washing fluid onto accessory glass windshield • Flexible plastic container holds cleaning solution • For use on glass windshield only • Hard Cab Enclosure (KAF080-003) required • Requires Glass Windshield (KAF080-041), Windshield Wiper (KAF080-011), and Accessory Fuse Box (99994-1082) (18) or (KAF080-076) (15-17)

- MULE PRO-FXT™ (15-19), MULE PRO-DXT™ (16-19) Windshield Washer ..... KAF080-024..... \$189.95

### E Windshield Wiper

Clear debris off the windshield with our Windshield Wiper • The kit mounts to the upper center portion of your windshield • Switch operated • Features a 110° sweep radius • 20" black flex blade

- Windshield Washer (KAF080-024) recommended
- For use on glass windshield only • Hard Cab Enclosure (KAF080-003) and related components required • Requires Full Windshield - Glass (KAF080-041), Front Accessory Harness (KAF080-043) and Accessory Fuse Box (99994-1082) (18) or (KAF080-076) (15-17)

- MULE PRO-FXT™ (15-19), MULE PRO-DXT™ (16-19) Windshield Wiper..... KAF080-011..... \$269.95

### A Accessory Fuse Box (18-19)



### B LED Beacon Strobe Light



### C Front Accessory Harness



### C Rear Accessory Harness



### D Windshield Washer



### E Windshield Wiper



## F Heater



## F Heater

This fully integrated system dramatically improves in-cabin comfort during those cold mornings and long winters • Utilizes the heat generated from your engine's liquid cooling system • Distributes hot air throughout the cabin via two adjustable automotive style floor vents • The system also features a windshield defroster vent to eliminate condensation or clear frost from your windshield • 2-speed blower • 22,000 BTU • Durable textured black powder coating • Can be used alone or as an optional component of the Soft Cab Enclosure or Hard Cab Enclosure • Must be installed prior to Hard Cab Enclosure installation

MULE PRO-FXT™ (15-19), MULE PRO-DXT™ (16-19)  
Heater ..... KAF080-008..... \$725.95

## G Cabin Fan

Increases airflow within the Hard Cab Enclosure by drawing in outside air • Mounts to top of Hard Cab Enclosure Roof • Conveniently operated by dash mounted switch • Dealer installation recommended • Hard Cab Enclosure (KAF080-003) and related components required • Also requires Kawasaki Genuine Accessory Fuse Box (99994-1082) (18) or (KAF080-076) (15-17) and Rear Accessory Harness (KAF080-044) to operate

MULE PRO-FXT™ (15-19), MULE PRO-DXT™ (16-19)  
Cabin Fan ..... KAF080-023..... \$258.95

## G Cabin Fan



## H LED Dome Light Set



## H LED Dome Light Set

LED Dome Light illuminates the interior of your vehicle's cabin • Battery operated design allows for a quick, wireless installation • Black light housing • Hard Cab Enclosure (KAF080-003) and related components required • Battery CR2450

MULE PRO-FXT™ (15-19), MULE PRO-DXT™ (16-19)  
LED Dome Light Set ..... KAF080-029..... \$59.95

## I Dual DC Power Outlet Kit

Dual 12V DC power sockets for rear seat area • Installs at panel and plugs into vehicle wiring harness • Waterproof caps • Requires Accessory Fuse Box (99994-1082) (18) or (KAF080-076) (15-17) and Front Accessory Harness (KAF080-043)

MULE PRO-FXT™ (15-19), MULE PRO-DXT™ (16-19)  
Dual DC Power Outlet Kit ..... 99994-0595..... \$72.95

## I Dual DC Power Outlet Kit



## J Cargo Light



## J Cargo Light

Working late into the night? Illuminate your cargo or simply shed some light on the rear of your vehicle • LED flood light • 1100 lumens • Cast aluminum housing with black powder coat finish • Includes mounting bracket and hardware to mount Cargo Light to Hard Cab Enclosure • Conveniently operated by dash mounted switch • Mounts to Hard Cab Enclosure • Hard Cab Enclosure (KAF080-003) and related components required • Mounting position varies per model • Requires Kawasaki Genuine Accessory Fuse Box (99994-1082) (18) or (KAF080-076) (15-17) and Rear Accessory Harness (KAF080-044) to operate

MULE PRO-FXT™ (15-19), MULE PRO-DXT™ (16-19)  
Cargo Light ..... KAF080-031..... \$395.95



APPAREL  
MULE™  
TERRY®  
ATV  
SPORT / DUAL SPORT  
OFFROAD PERFORMANCE  
CRUISER  
WATERCRAFT  
WINCHES  
ESSENTIALS  
INDEX

## A Contoured Front Seat



### A Contoured Front Seat

Thick cushioned seat provides superior comfort  
• Contoured seat bottom cups driver and passenger into the seat  
• Durable seat material remains flexible in cool temperatures  
• Not for rear seat replacement in MULE PRO-FXT™, MULE PRO-DXT™ side x sides  
MULE PRO-FXT™ (15-19), MULE PRO-DXT™ (16-19)  
Contoured Front Seat..... 99994-0874..... \$339.95

### B Rearview Mirror

3D curved safety glass mirror provides increased field of view  
• Textured black powder coating  
• Aluminum mounting with 43mm diameter clamp  
• 273mm (10 3/4") L x 89mm (3 1/2") H  
MULE PRO-FXT™ (15-19), MULE PRO-DXT™ (16-19)  
Rearview Mirror..... TX750-077..... \$59.95

### C Standard Side Mirror Set

Vertical shatter-resistant safety glass mirror sits in high-impact plastic housing  
• Convex mirror surface increases the driver's field of view  
• Adaptive 360° bracket rotation provides preferred viewing position  
• Mirrors attach directly to vehicle ROPS  
• Not compatible with Soft Cab Enclosures  
MULE PRO-FXT™ (15-19), MULE PRO-DXT™ (16-19)  
Standard Side Mirror Set ..... 99994-0855..... \$59.95

### D Premium Side Mirror Set

Horizontal shatter-resistant safety glass mirror sits in cast aluminum armored housing  
• Convex mirror surface increases the driver's field of view  
• Adaptive 360° bracket rotation provides preferred viewing position  
• An enclosed floating mirror mount helps adjust and protect the mirror within its housing  
• Kawasaki logos are embossed on the seal cap and back  
• Cap is weather sealed to help protect the hardware from moisture and debris  
• Mirrors attach directly to vehicle ROPS  
• Not compatible with Soft Cab Enclosures  
MULE PRO-FXT™ (15-19), MULE PRO-DXT™ (16-19)  
Premium Side Mirror Set..... 99994-0856..... \$159.95

### E Side Mirror Set

Mirrors are enclosed in a durable black housing  
• Easily installs to your Front Hard Cab Enclosure Doors (KAF080-004)  
• Hard Cab Enclosure (KAF080-003) and related components required  
MULE PRO-FXT™ (15-19), MULE PRO-DXT™ (16-19)  
Side Mirror Set ..... KAF080-014..... \$125.95

## B Rearview Mirror



## C Standard Side Mirror Set



## D Premium Side Mirror Set



## E Side Mirror Set





## F Hard Cab Enclosure By Curtis®



## G Heavy Duty Spring Set



## F Hard Cab Enclosure by Curtis®

The Hard Cab Enclosure helps provide comfort by providing the operator with protection from the weather, drafts, dust, and moisture • Commercial grade steel, textured powder-coated finish cab • Choose either vented AS1 Glass Windshield (1KAPFXTCAS1) or Polycarbonate Windshield (1KAPFXTCA) Hard Cab Enclosure • Rear panel with safety glass door slider to help increase ventilation • Total weather seal design • Acoustic headliner • Windshield and doors assisted with gas shocks • Each door features lockable latches and safety glass removable sliders for more ventilation • Optional steel center panel with slider (1KAPFXTCP) or soft center panel (1KAPFXTPCS)

Requires Heavy-Duty Springs (99994-0514), sold separately. Optional cab accessories such as Front Windshield Wiper (1KAPFXWK), In-Dash Heater (9PH20S61), Accessory Fuse Box (1KAPFXFP), Low-Profile Front Lights (1KAPFXFWL), Low Profile Rear Work Lights (1KAPFXRWL), Corner Flasher Kit (1KAPFXCFL), Roof Mount Beacon Strobe Light (9LEDS2), LED Dome Light Set (9LEDD14), Side Mirror Kit (99994-0905), Rear View Mirror (9PM3) are also sold separately.

Remove for towing or use an enclosed trailer when transporting a vehicle with a Hard Cab Enclosure installed

**MULE PRO-FXT™ (15-19), MULE PRO-DXT™ (16-19)**

Hard Cab Enclosure with

Polycarbonate Windshield ..... 1KAPFXTCA.. \$6,795.95

Hard Cab Enclosure with

AS1 Glass Windshield ..... 1KAPFXTCAS1.. \$6,995.95

FXT Hard Center Panel ..... 1KAPFXTCP..... \$738.95

FXT Soft Center Panel ..... 1KAPFXTPCS..... \$317.95

## G Heavy Duty Spring Set

Heavy-Duty Springs increase bottoming resistance when carrying a heavy load and/or when heavy accessories such as a Kawasaki Genuine Hard Cab Enclosure (KAF080-060) or Plow System are installed • Optional on MULE PRO-FX™ / MULE PRO-DX™ • Steel springs with gloss black finish: Two front springs and two rear springs included • Direct replacement of stock springs

**MULE PRO-FXT™ (15-19), MULE PRO-DXT™ (16-19)**

Heavy Duty Spring Set..... 99994-0514..... \$275.95



Optional Curtis® Cab components should only be used with Hard Cab Enclosures by Curtis® .

APPAREL

MULE™

TERRY®

ATV

SPORT / DUAL SPORT

OFFROAD PERFORMANCE

CRUISER

WATERCRAFT

WINCHES

ESSENTIALS

INDEX



### A Heater (In-Dash) by Curtis®

Fully integrated, under-hood design provides excellent fit and finish • No cabin heater box inside the cab to encroach on passenger leg room • Utilizes the heat generated from the engine's liquid cooling system • Two 360-degree adjustable louvers on the dash provide full windshield defrost • Two additional adjustable downward facing outlets distribute heat evenly throughout the cab • 2-speed blower • Illuminated dash switch • An in-line shutoff valve easily converts the heater to a fan/blower for added cab ventilation during warm weather operation • Prewired and includes wire harness needed for installation

MULE PRO-FXT™ (15-19)  
Heater (In-Dash).....9PH20S61..... \$844.95

### B Dome Light by Curtis®

LED swivel dome light – super bright directional LED dome light can spin, swivel and tilt to direct light to where you need it most • Kit includes prewired harness • Requires Accessory Fuse Panel Kit (1KAPFXFP), sold separately

MULE PRO-FXT™ (15-19), MULE PRO-DXT™ (16-19)  
Dome Light .....9LEDD14..... \$109.95

### C Low-Profile Front Lights by Curtis®

Powerful low-profile LED roof mount work lights • Kit includes two 5-LED flat lights with brackets, a switch and wire harness for installation • Hard Cab Enclosure (1KAPFXCA, 1KAPFXCAS1, 1KAPFXTCA or 1KAPFXTCAS1) required • Approximately 1,750 lumens (875 lumens per light) • Requires Accessory Fuse Panel Kit (1KAPFXFP), sold separately

MULE PRO-FXT™ (15-19), MULE PRO-DXT™ (16-19)  
Low-Profile Front Lights.....1KAPFXFWL..... \$349.95

### D Low-Profile Rear Work Lights by Curtis®

Powerful low-profile LED roof mount work lights • Kit includes two 5-LED flat lights with brackets, a switch and wire harness for installation • Hard Cab Enclosure (1KAPFXCA, 1KAPFXCAS1, 1KAPFXTCA or 1KAPFXTCAS1) required • Approximately 1,750 lumens (875 lumens per light) • Requires Accessory Fuse Panel Kit (1KAPFXFP), sold separately

MULE PRO-FXT™ (15-19), MULE PRO-DXT™ (16-19)  
Low-Profile Rear Work Lights .....1KAPFXRWL..... \$360.95

### E Corner Flashers Kit by Curtis®

Help ensure safety around moving vehicles with a 4-way corner flasher kit • Three bright LED amber lights at all 4 corners of the roof flash and keep you more visible • Prewired and includes wire harness needed for installation • Requires Fuse Panel Kit (1KAPFXFP), sold separately

MULE PRO-FXT™ (15-19), MULE PRO-DXT™ (16-19)  
Corner Flashers Kit .....1KAPFXCFL..... \$888.95



Optional Curtis® Cab components should only be used with Hard Cab Enclosures by Curtis® .

### A Heater (In-Dash) by Curtis®



### B Dome Light by Curtis®



### C Low-Profile Front Lights by Curtis®



### D Low-Profile Rear Work Lights by Curtis®



### E Corner Flashers By Curtis®



**F** Roof Mount Beacon Strobe Light by Curtis®



**G** Accessory Fuse Panel by Curtis®



**F** Roof Mount Beacon Strobe Light by Curtis®

Help increase your visibility with a roof-mount beacon strobe light • Kit comes with switch and wire harness for installation to the roof of your vehicle • Three different flash modes • Hard Cab Enclosure (1KAPFXCA, 1KAPFXCAS1, 1KAPFXTCA or 1KAPFXTCAS1) required • Requires Fuse Panel Kit (1KAPFXFP), sold separately

MULE PRO-FXT™ (15-19), MULE PRO-DXT™ (16-19)  
Roof Mount Beacon Strobe Light .....9LEDS2..... \$174.95

**G** Accessory Fuse Panel Kit by Curtis®

Six position Accessory Fuse Panel with grounded block included • Plug & Play style wiring, pre-terminated • Includes dust cover • Required for installation of various electrical accessories

MULE PRO-FXT™ (16-19), MULE PRO-DXT™ (16-19)  
Accessory Fuse Panel Kit .....1KAPFXFP..... \$309.95

**H** Front Windshield Wiper Kit by Curtis®



**I** Rearview Mirror by Curtis®



**H** Front Windshield Wiper Kit by Curtis®

Help improve visibility during a rain / snow storm or clear debris off the windshield with an automotive style Windshield Wiper • The Wiper features a 172 degree sweep • Kit includes motor, blade arm, flex blade, wire harness and console rocker switch • Blade lengths: 14-inch blade for AS1 glass windshield; 16-inch blade for polycarbonate windshield • Hard Cab Enclosure (1KAPFXCA, 1KAPFXCAS1, 1KAPFXTCA or 1KAPFXTCAS1) required • Requires Fuse Panel Kit (1KAPFXFP), sold separately

MULE PRO-FXT™ (15-19), MULE PRO-DXT™ (16-19)  
Front Windshield Wiper Kit ..... 1KAPFXWK..... \$380.95

**I** Rearview Mirror by Curtis®

Interior rearview mirror mounts to roof • Mirror adds visibility and safety while working and driving • Hard Cab Enclosure (1KAPFXCA, 1KAPFXCAS1, 1KAPFXTCA or 1KAPFXTCAS1) required

MULE PRO-FXT™ (15-19), MULE PRO-DXT™ (16-19)  
Rearview Mirror.....9PM3..... \$89.95



Optional Curtis® Cab components should only be used with Hard Cab Enclosures by Curtis® .



APPAREL  
MULE™  
TERRY®  
ATV  
SPORT / DUAL SPORT  
OFFROAD PERFORMANCE  
CRUISER  
WATERCRAFT  
WINCHES  
ESSENTIALS  
INDEX

**A** Soft Cab Enclosure

**A** Soft Cab Enclosure

KAWASAKI GENUINE SOFT CAB ENCLOSURE PROVIDES A LIGHTWEIGHT AND STYLISH PACKAGE • MADE FROM 600 DENIER SUR LAST® WATER-RESISTANT FABRIC

Installation of the Soft Cab Enclosure does not impact ease of vehicle transformation • Doors offered as a set of 4 in black (KAF080-016) or Realtree® Xtra® Green (KAF080-047) • Doors fasten to the existing bodywork and are held closed with a unique magnet latching system • Large side windows offer additional interior light and unzip for added ventilation • Clear zip partition between front and rear seats allows for complete cab enclosure whether in 3 or 6 passenger mode • Requires KQR™ Full Windshield, Plastic (KAF080-001) sold separately to complete Cab Enclosure system

Remove for towing or use an enclosed trailer when transporting a vehicle with a Soft Cab Enclosure installed

Realtree APG-XTRA Camouflage Design ©2012 of Jordon Outdoor Enterprises, Ltd., All Rights Reserved

**MULE PRO-FXT™ (15-19), MULE PRO-DXT™ (16-19)**

Roof and Back, Black .....	KAF080-015.....	\$385.95
Soft Door Set, Black.....	KAF080-016.....	\$725.95
Roof and Back, Realtree® Xtra® Green .....	KAF080-046.....	\$389.95
Soft Door Set, Realtree® Xtra® Green .....	KAF080-047.....	\$719.95
KQR™ Full Windshield, Plastic .....	KAF080-001.....	\$625.95



## B Plastic Roof



## C Soft Roof (Black)



## C Soft Roof (Realtree® Xtra® Green)



## B Plastic Roof

This semi-rigid Plastic Roof helps offer passenger protection from harsh weather and sun • Integrated rear hinge to allow for operation of your tilt bed

- Contoured lightweight design for added style
- Made from semi-rigid black textured plastic • Can use alone or with KQR™ Half Windshield (KAF080-027), KQR™ Full Windshield, Plastic (KAF080-001), or Flip-Up Polycarbonate Windshield (99994-0753)
- Original equipment on LE models • Not compatible with Hard Cab Enclosure (KAF080-003) accessories

Remove for towing or use an enclosed trailer when transporting a vehicle with a Plastic Roof installed

MULE PRO-FXT™ (15-19), MULE PRO-DXT™ (16-19)  
 Plastic Roof ..... 99994-0545..... \$415.95

## C Soft Roof

One of our most popular accessories for a good reason; this stylish Soft Roof quickly and seamlessly installs for full overhead coverage and weather protection on the trail • Made from 600 denier Sur Last® water-resistant fabric • Available in Black or Realtree® Xtra® Green • Tightly straps to the vehicle Roll Over Protective Structure (ROPS) for an integrated fit • Installation does not impact ease of vehicle transformation • Compatible with Kawasaki Genuine Accessories KQR™ Half Windshield (KAF080-027), KQR™ Full Windshield, Plastic (KAF080-001), or Flip-Up Polycarbonate Windshield (99994-0753)

Remove for towing or use an enclosed trailer when transporting a vehicle with a Soft Roof installed

Realtree APG-XTRA Camouflage Design ©2012 of Jordan Outdoor Enterprises, Ltd., All Rights Reserved  
 MULE PRO-FXT™ (15-19), MULE PRO-DXT™ (16-19)  
 Black ..... KAF080-018..... \$155.95  
 Realtree® Xtra® Green ..... KAF080-045..... \$165.95

APPAREL

MULE™

TERRY®

ATV

SPORT / DUAL SPORT

OFFROAD PERFORMANCE

CRUISER

WATERCRAFT

WINCHES

ESSENTIALS

INDEX



APPAREL

MULE™

TERRY®

ATV

SPORT / DUAL SPORT

OFFROAD PERFORMANCE

CRUISER

WATERCRAFT

WINCHES

ESSENTIALS

INDEX

### A KQR™ Half Windshield

Deflect direct wind blasts while maintaining comfortable air-flow throughout cabin with the KQR™ Half Windshield • KQR™ mounting system allows for easy installation or removal once installed

- Made from scratch-resistant polycarbonate
- Drilling required for center mount bracket

Remove for towing or use an enclosed trailer when transporting a vehicle with a KQR™ Half Windshield installed

MULE PRO-FXT™ (15-19), MULE PRO-DXT™ (16-19)  
KQR™ Half Windshield, Plastic ..... KAF080-027..... \$209.95

### B KQR™ Full Windshield, Plastic

The KQR™ Full Windshield, Plastic can be quickly installed or removed • Helps provide protection from wind for improved in-cabin comfort • Three large fresh-air vents on windshield open and close to increase airflow in cabin • Made from scratch-resistant polycarbonate • Drilling required for center mount bracket • Can be used alone or as a component of the Hard or Soft Cab Enclosures

- Windshield Washer (KAF080-024) and Windshield Wiper (KAF080-011) not compatible with KQR™ Full Windshield, Plastic (KAF080-001)

Remove for towing or use an enclosed trailer when transporting a vehicle with a KQR™ Full Windshield, Plastic installed

MULE PRO-FXT™ (15-19), MULE PRO-DXT™ (16-19)  
KQR™ Full Windshield, Plastic ..... KAF080-001..... \$625.95

### C KQR™ Full Windshield, Glass

The KQR™ Full Windshield, Glass can be quickly installed or removed with minimal use of tools once installed • Helps provide protection from wind and debris for improved in-cabin comfort • Two large fresh-air vents on top portion of windshield open and close to increase airflow in cab • Made from DOT approved AS1 safety glass • Not for individual use • Hard Cab Enclosure (KAF080-003) and related components required

Remove for towing or use an enclosed trailer when transporting a vehicle with a KQR™ Full Windshield, Glass installed

MULE PRO-FXT™ (15-19), MULE PRO-DXT™ (16-19)  
KQR™ Full Windshield, Glass ..... KAF080-041..... \$732.95



**D** Flip-Up Polycarbonate Windshield (Closed)



**D** Flip-Up Polycarbonate Windshield (Opened)



FLIP-UP INTERIOR LATCH



**D** Flip-Up Polycarbonate Windshield

Three-position Flip-Up Polycarbonate Windshield provides the option for a sealed windshield with the ability to flip up to let just the right amount of air into the cabin • Closed and vented positions allow occupants to limit air flow when driving while the fully open position provides maximum airflow while stopped • Made from 4.5mm (0.177") scratch-resistant polycarbonate (hard coated) • Not compatible with Front Rack, Hard Cab Enclosures, or Soft Cab Enclosures

Towable in forward facing position only • Flip-Up Polycarbonate Windshield must be in the closed and locked position"

MULE PRO-FXT™ (15-19), MULE PRO-DXT™ (16-19)

Flip-Up Polycarbonate Windshield..... 99994-0753..... \$789.95

APPAREL

MULE™

TERRY®

ATV

SPORT / DUAL SPORT

OFFROAD PERFORMANCE

CRUISER

WATERCRAFT

WINCHES

ESSENTIALS

INDEX



## Plow

Increase the capabilities of your MULE PRO-FXT™/PRO-DXT™ side x side by adding a WARN® ProVantage™ Front Mount Plow. Designed specifically for your MULE™ vehicle, this plow features an easy-to-use rapid connection system

- With this system, you can plow away unwanted material, disconnect the plow and free your MULE™ side x side for other applications

For a complete kit, order the following items:

Plow Mount KAF080-009  
 Plow Frame KW79805  
 Plow Blade KW79958  
 Winch Mount 99994-0687  
 Accessory Fuse Box (18) 99994-1082  
 Accessory Fuse Box (15-17) KAF080-076

And your choice of winch:

4500S KAF080-051  
 4500 KAF080-050  
 4000S KAF080-053  
 4000 KAF080-052  
 See Winch catalog for description.

Note: Accessory Fuse Box, Winch, and Winch Mount required for raising and lowering the Plow Blade.

WARN®, the WARN logo and THE RED HOOK STRAP are registered trademarks of Warn Industries, Inc. ProVantage™ and Vantage™ are trademarks of Warn Industries, Inc.

### A Plow Frame

The WARN® Plow Frame assembly features an extra wide design for a forward trip system, and an interlocked rotating base plate

- Designed for strength, durability, and impact resistance
- 5 point adjustment system (30°, 15°, 0°, -15°, -30°) offers a solution for a wide range of plowing scenarios

MULE PRO-FXT™ (15-19), MULE PRO-DXT™ (16-19)  
 Plow Frame .....KW79805..... \$369.95

### B Plow Mount

3-step rapid connection system featuring a self-locating pin allows you to remove the Plow Blade and Base quickly

- Mount is located at the front of the vehicle

MULE PRO-FXT™ (15-19), MULE PRO-DXT™ (16-19)  
 Plow Mount ..... KAF080-009..... \$419.98

### C Plow Blade

Made from thick 12-gauge steel with heavy-duty ribbing and a center cross member for added rigidity

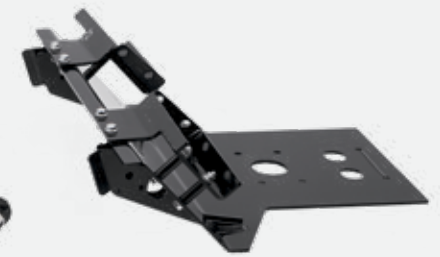
- Boxed design adds extra support
- Special low-friction powdercoated finish helps keep material from sticking to the blade
- 1,829mm (72") width allows you to move a large amount of material at one time

MULE PRO-FXT™ (15-19), MULE PRO-DXT™ (16-19)  
 Plow Blade .....KW79958..... \$389.95

## A Plow Frame



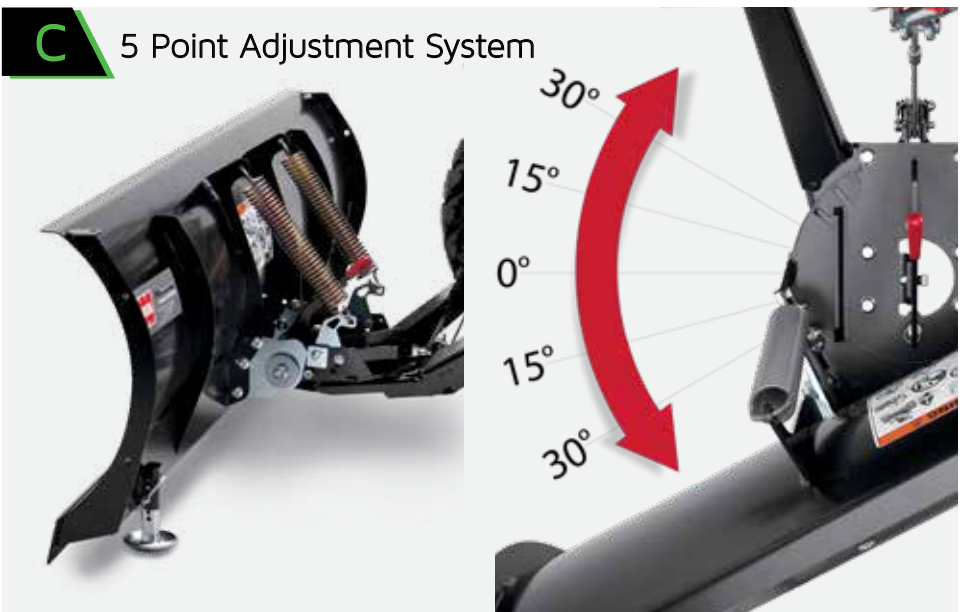
## B Plow Mount



## C Plow Blade



## C 5 Point Adjustment System





## D Winch Mount



## E Accessory Fuse Box



## D Winch Mount

A Winch Mount is required when installing a WARN® ProVantage™ or Vantage™ winch and roller fairlead to your vehicle • Four-bolt pattern allows for hassle-free installation of WARN® products

MULE PRO-FXT™ (15-19), MULE PRO-DXT™ (16-19)  
Winch Mount..... 99994-0687..... \$114.95

## E Accessory Fuse Box

The Accessory Fuse Box allows for the seamless integration and the convenience of operating up to 6 Kawasaki Genuine Accessories from the comfort and confines of your vehicle's cabin • Required for installation of WARN® ProVantage™ Plow Systems and Winches

MULE PRO-FXT™ (18-19), MULE PRO-DXT™ (18-19)  
Accessory Fuse Box (18-19)..... 99994-1082..... \$329.95  
MULE PRO-FXT™ (15-17), MULE PRO-DXT™ (16-17)  
Accessory Fuse Box (15-17)..... KAF080-076..... \$319.95



FOR THE FULL SELECTION  
OF WARN® WINCHES  
WINCHES CATALOG



### MULE PRO-FXT™ SHOWN WITH:

- PLASTIC ROOF
- PLOW (FRAME, MOUNT, BLADE)



APPAREL

MULE™

TERRY®

ATV

SPORT / DUAL

FRONT  
DRIVE

WATERPROOF

WINCHES

ESSENTIALS

INDEX



### A Front Rack

When on the trail or at the job site, additional storage for essential tools and equipment is important • Add additional easy access storage to your MULE PRO-FXT™ / PRO-DXT™ side x side with the Front Rack • Mounts to the front bumper and the ROPS • Black powder coated steel construction • Tilts forward for easy access to hood • Multiple tie-down points • 381mm (15") deep x 1372mm (54") wide flat cargo area dimensions • Not compatible with Hard Cab, Soft Cab Enclosures, or Flip-Up Polycarbonate Windshield

Realtree APG-XTRA Camouflage Design ©2012 of Jordon Outdoor Enterprises, Ltd., All Rights Reserved

MULE PRO-FXT™ (15-19), MULE PRO-DXT™ (16-19)  
Front Rack ..... KAF080-021..... \$569.95

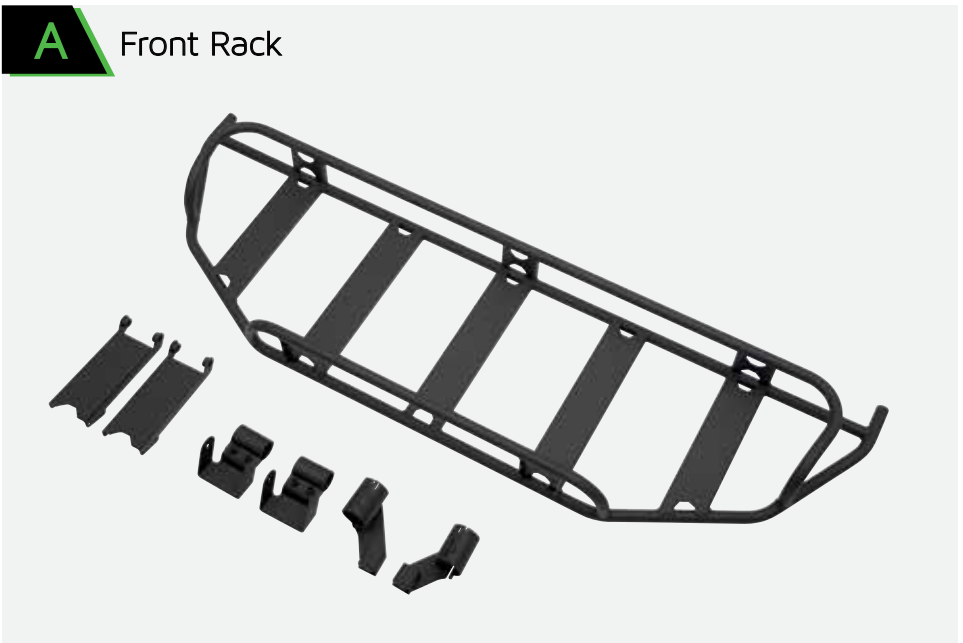
### B Brush Guard

Help add protection and aggressive style to the front of your vehicle with this durable laser cut, formed steel brush guard • Powder coated in textured black to match the stock front bumper for a uniform look • Built-in headlight guards • Mounting tabs for the Kawasaki Genuine LED Light Bar (KAF080-048) • Steel 38mm (1½") diameter tubing / 2.1mm (<sup>9</sup>/<sub>100</sub>" ) wall thickness • Does not interfere with Kawasaki Genuine Winch Mount (99994-0687) or Plow System

MULE PRO-FXT™ (15-19), MULE PRO-DXT™ (16-19)  
Brush Guard ..... 99994-0412..... \$219.95



### A Front Rack



### B Brush Guard



## C Rear Bumper



## D Tail Light Guard Set



## E LED Headlight Set



## F LED Light Bar



## C Rear Bumper

This stylish yet functional accessory adds protection to the rear of your vehicle • Made of durable 3.175mm (1/8") thick steel • Powder coated in textured black to provide a uniform look with stock components • Does not interfere with Tail Light Guard visibility

MULE PRO-FXT™ (15-19), MULE PRO-DXT™ (16-19)  
Rear Bumper ..... 99994-0413..... \$179.95

## D Tail Light Guard Set

Reduce the risk of damage, and related repairs • Powder coated in textured black to provide a uniform look with stock components • Made of 2.2mm (1/16") thick steel • Some drilling and rivet gun required

MULE PRO-FXT™ (15-19), MULE PRO-DXT™ (16-19)  
Tail Light Guard Set..... 99994-0424..... \$49.95

## E LED Headlight Set

Add these high output LED Headlights to your base model MULE PRO-FXT™ / MULE PRO-DXT™ side x side • High/Low beam function • Stock component on LE, Realtree® Xtra® Green and Ranch Edition models

MULE PRO-FXT™ (15-19), MULE PRO-DXT™ (16-19)  
LED Headlight Set..... 99994-1071..... \$375.95

## F LED Light Bar

Work or play, some things need to get done after the sun goes down • 2,200 lumens • Flood and Driving beam patterns available • UV-resistant polycarbonate lens • Rugged solid state LEDs can withstand shock and vibration • Long-lasting LEDs means more time between replacement bulbs • Die-cast aluminum housing helps provide added protection • 12V DC Input • 4 Amp draw • Requires Brush Guard (99994-0412), Accessory Fuse Box (99994-1082) (18) or (KAF080-076) (15-17) and LED Light Bar Harness Kit (KAF080-020) sold separately • LED Light Bar Harness Kit includes switch, wire harness and mounting hardware • SAE J1113 (Class 21) ECE Reg. 10 Compliant

MULE PRO-FXT™ (15-19), MULE PRO-DXT™ (16-19)  
LED Light Bar ..... KAF080-048..... \$399.95  
LED Light Bar Harness Kit..... KAF080-020..... \$59.95

APPAREL

MULE™

TERRY®

ATV

SPORT / DUAL SPORT

OFFROAD PERFORMANCE

CRUISER

WATERCRAFT

WINCHES

ESSENTIALS

INDEX

**A Skid Plates**

Helps protect your drivetrain and chassis with a durable brushed aluminum Kawasaki Genuine Skid Plate • Made of 4.7mm (3/16") thick 5052 aluminum • Brushed aluminum finish

MULE PRO-FXT™ (15-19), MULE PRO-DXT™ (16-19)

Front Skid Plate.....	99994-0438.....	\$479.95
Mid Skid Plate.....	99994-0439.....	\$369.95
Rear Skid Plate.....	99994-0512.....	\$399.95

**B CV Joint Guard Set**

While operating your vehicle these lightweight CV Joint Guards help protect your a-arms, axles, brake-lines and CV Boots • In addition, the full-coverage design adds a custom look to your vehicle • Made of 4.7mm (3/16") thick 5052 aluminum • Brushed aluminum finish

MULE PRO-FXT™ (15-19), MULE PRO-DXT™ (16-19)

Front CV Joint Guard Set .....	99994-0428.....	\$149.95
Rear CV Joint Guard Set.....	99994-0429.....	\$149.95

**A Skid Plates**



**B CV Joint Guard set**





## Cargo Bed Lift



### C Cargo Bed Lift

Raise and lower your cargo bed with a hydraulic Cargo Bed Lift • Self-contained hydraulic system; no hoses, no reservoir to fill or top off, no bleeding process • Durable steel construction

MULE PRO-FXT™ (15-19), MULE PRO-DXT™ (16-19)  
Cargo Bed Lift..... KAF080-002.. \$1,029.95



#### MULE PRO-FXT™ SHOWN WITH:

- HARDCAB ENCLOSURE ROOF AND FRAME
- HARDCAB ENCLOSURE FRONT DOOR SET
- HARDCAB ENCLOSURE REAR DOOR SET
- KQR™ FULL WINDSHIELD, GLASS
- HEAVY DUTY SPRING SET



APPAREL

MULE™

TERYX®

ATV

SPORT / DUAL SPORT

OFFROAD PERFORMANCE

CRUISER

WATERCRAFT

WINCHES

ESSENTIALS

INDEX

**A Cargo Bed Mat**

Help protect your cargo bed base with these tough 4.7mm (3/16") thick rubber mats • Unique two-piece design does not interfere with transition from long to short bed mode • Extra thick rubber helps prevent cargo from sliding • Reduces sound levels caused from vibration

MULE PRO-FXT™ (15-19), MULE PRO-DXT™ (16-19)  
Cargo Bed Mat, Two Piece ..... KAF080-038..... \$159.95

**B Cargo Bed Divider**

Roto molded PE plastic panel designed to fit in the slots of the MULE PRO-FXT™ / PRO-DXT™ side x side bed sides in multiple configurations • Kit includes one panel that divides the bed into two sections for convenient loading • Additional kits can be added to further divide the cargo bed

MULE PRO-FXT™ (15-19), MULE PRO-DXT™ (16-19)  
Cargo Bed Divider ..... KAF080-037..... \$74.95

**C KQR™ Cargo Bed Extender**

Extend your usable cargo space by 203mm (8") with this durable roto-molded plastic Bed Extender • Simply lower the tailgate and attach the extender to the bed rails with two KQR™ clamps • Easily adjust to different cargo sizes by sliding the clamps forward or backward or by reversing the entire Bed Extender to create a divider • Two KQR™ Accessory Mounts included

MULE PRO-FXT™ (15-19), MULE PRO-DXT™ (16-19)  
KQR™ Cargo Bed Extender ..... KAF080-022..... \$179.95



**B Cargo Bed Divider**



**C KQR™ Cargo Bed Extender**



## D KQR™ Cargo Box



## D KQR™ Cargo Box

Add storage within your vehicle's cargo bed

- Quickly attaches to either cargo bed rail
- Ample internal storage space for transporting tools, equipment, straps, tie-downs, emergency kits, trail snacks, etc.
- KQR™ Cargo Box measures 356mm (14") L x 356mm (14") W x 432mm (17") H
- Material: Molded LDPE black plastic
- Includes internal tool tray
- Requires qty. 2 KQR™ Accessories Mounts (KAF080-012), sold separately

Requires qty. 2 KQR™ Accessories Mounts (KAF080-012) sold separately

MULE PRO-FXT™ (15-19), MULE PRO-DXT™ (16-19)  
 KQR™ Cargo Box ..... KAF080-017 ..... \$84.95  
 KQR™ Accessories Mount..... KAF080-012..... \$19.95

## E KQR™ Accessories Mount

Required for quick-mounting the KQR™ Cargo Box and KQR™ Gun Boot Mount to the vehicle bed and rear cab rail

- Constructed of black anodized aluminum for durability
- Mounts are sold individually
- Refer to each KQR™ accessory for the quantity of mounts required

MULE PRO-FXT™ (15-19), MULE PRO-DXT™ (16-19)  
 KQR™ Accessories Mount..... KAF080-012..... \$19.95

## E KQR™ Accessory Mount



## F Dual Battery Kit



## F Dual Battery Kit

Not Compatible with 2018-2019 MULE PRO-FXT™ Ranch Edition models

- This kit allows you to maintain two batteries in your vehicle
- The Intelligent Solenoid (IS) manages the charging of both batteries while the vehicle is running and isolates them when the vehicle is off
- This system also allows the second battery to be charged and/or isolated automatically
- Requires Battery (26012-0107), Accessory Fuse Box (KAF080-076), Battery Terminal Cap (11065-0285), Nut (92015-1406) qty 2, Bracket (92072-0128), Bushing (92152-0794) qty 2, Bolt (92151-1788) qty 2, Damper (92161-0578), and Damper (92161-0579) all sold separately

MULE PRO-FXT™ (15-19), MULE PRO-DXT™ (16-19)  
 Dual Battery Kit..... KAF080-025..... \$415.95

## G Back-Up Beeper



## H Horn



## G Back-Up Beeper

Whether on the job site or the farm, a Back-Up Beeper is a useful addition to alert others that your vehicle is reversing

- Emits 97db
- Product meets O.S.H.A. regulations and SAEJ994 standards
- Black with steel housing
- Wires directly to the reverse switch on the transmission

MULE PRO-FXT™ (15-19), MULE PRO-DXT™ (16-19)  
 Back-Up Beeper ..... KAF080-030..... \$140.95

## H Horn

Install a horn to alert others of your presence while on the job site or the trail

- Mounts internally
- Includes switch

MULE PRO-FXT™ (15-19), MULE PRO-DXT™ (16-19)  
 Horn ..... 99994-0455..... \$39.95



## A Hitch Components

Heavy duty 51mm (2") steel Hitch Drawbar with welded gusset • Hitch Pin and clip included with Hitch Drawbar and also sold separately • 48mm (1 7/8") Hitch Ball with 19mm (3/4") diameter shank, and 51mm (2") Hitch Ball with 19mm (3/4") diameter available • When using Hitch Balls with a 19mm (3/4") shank, a Reducer Bushing (TRL36A) is required

MULE PRO-FXT™ (15-19), MULE PRO-DXT™ (16-19)  
 2" Hitch Drawbar, 4" Drop .....TX750-015..... \$36.95  
 Chrome Hitch Ball, 2" .....KAF136..... \$16.95  
 Chrome Hitch Ball, 1 7/8" .....KAF127..... \$17.95  
 Hitch Pin, 5/8" .....TLR39..... \$8.95  
 Reducer Bushing .....TLR36A..... \$14.95

## A Hitch Components



## B Block Heater

The diesel Block Heater provides heat to the engine for easier starting in extreme cold • Keeps engine warm in cold temperatures • Helps reduce cold start engine damage • Simple to install • Efficient way to pre-heat your engine • Plugs into household 110V outlet • Includes all mounting hardware and wiring

MULE PRO-DXT™ (16-19)  
 Block Heater ..... 99994-0741..... \$159.95



## C Seat Cover

Black - Help protect your bench seat with these seat covers • Quick installation • Made from heavy black canvas • Features an elastic band along the cover's edge • O.E.M. quality fit • Caution: One seat top cover and one backrest cover included • Two kits required to outfit both front and rear bench seat

Realtree® Xtra® Green - Help protect your front and rear bench seats from the hunt while blending into your surroundings with these color-matched Realtree® Xtra® Green Seat Covers • Quick installation • Made from heavy Realtree® Xtra® Green canvas • Features an elastic band along the cover's edge • O.E.M. quality fit • Caution: One seat top cover and one backrest cover included • Two kits required to outfit both front and rear bench seat

Realtree APG-XTRA Camouflage Design ©2012 of Jordon Outdoor Enterprises, Ltd., All Rights Reserved

MULE PRO-FXT™ (15-19), MULE PRO-DXT™ (16-19)  
 Black ..... 99994-1151..... \$83.95  
 Realtree® Xtra® Green ..... KAF080-039..... \$76.95

## C Seat Cover (Black)



## C Seat Cover (Realtree® Xtra® Green) \*2 covers shown





**D Storage Cover**

Help protect your vehicle during storage with this premium cover • Durable gray polyester fabric • UV resistant to prevent fading • Features silk screened Kawasaki logo for a O.E.M. appearance

Remove for towing or use an enclosed trailer when transporting a vehicle with a Storage Cover installed

MULE PRO-FXT™ (15-19), MULE PRO-DXT™ (16-19)  
Storage Cover ..... KAF080-040A..... \$249.95

**D Storage Cover**





### A Utility Package

The MULE PRO-FXT™ Utility Package includes the following accessories: Horn (99994-0455), Rear Bumper (99994-0413), 2 Seat Covers, Black (99994-1151), Rear View Mirror (TX750-077), KQR™ Cargo Box (KAF080-017), 2 KQR™ Accessory Mounts (KAF080-012), Cargo Bed Divider (KAF080-037), 2" Hitch Drawbar, 4" Drop (TX750-015), Chrome Hitch Ball 2" (KAF136), Reducer Bushing (TLR36A)

MULE PRO-FXT™ (15-19), MULE PRO-DXT™ (16-19)  
 Utility Package ..... 99969-3765..... \$608.95

### B Open Range Package

The MULE PRO-FXT™ Open Range Package includes the following accessories: KQR™ Full Windshield Plastic (KAF080-001), LED Light Bar (KAF080-048), LED Light Bar Harness & Bracket Kit (KAF080-020), Brush Guard (99994-0412), Rear Bumper (99994-0413), Tail Light Guard Set (99994-0424), Front Floor Mat (KAF080-033), Rear Floor Mat (KAF080-034), KQR™ Cargo Box (KAF080-017), 2 KQR™ Accessory Mounts (KAF080-012), Accessory Fuse Box (KAF080-076), 2" Hitch Drawbar, 4" Drop (TX750-015), Chrome Hitch Bar 2" (KAF136), Reducer Bushing (TLR36A)

MULE PRO-FXT™ (15-19), MULE PRO-DXT™ (16-19)  
 Open Range Package ..... 99969-3766.. \$1,957.95

## A

### Utility Package







## B

### Open Range Package







## C Adventure Package



## C Adventure Package

The MULE PRO-FXT™ Adventure Package includes the following accessories: KQR™ Half Windshield (KAF080-027), Brush Guard (99994-0412), Rear Bumper (99994-0413), Front CV Joint Guard Set (99994-0428), Rear CV Joint Guard Set (99994-0429), Rearview Mirror (TX750-077), Winch Mount Kit (99994-0687), Accessory Fuse Box (KAF080-076) & WARN® Vantage™ 4000 Winch (KAF080-052)

WARN®, the WARN logo and THE RED HOOK STRAP are registered trademarks of Warn Industries, Inc. ProVantage™ and Vantage™ are trademarks of Warn Industries, Inc.

MULE PRO-FXT™ (15-19), MULE PRO-DXT™ (16-19)  
Adventure Package ..... 99969-3767.. \$1,533.95

## D Sportsman Package

The MULE PRO-FXT™ Sportsman Package includes the following accessories: KQR™ Full Windshield, Plastic (KAF080-001), Soft Cab Enclosure Roof and Back, Reeltree® Xtra® Green (KAF080-046), Soft Cab Enclosure Door Set, Reeltree® Xtra® Green (KAF080-047), Seat Cover, Reeltree® Xtra® Green (KAF080-039), & Brush Guard (99994-0412)

Realtree APG-XTRA Camouflage Design ©2012 of Jordon Outdoor Enterprises, Ltd., All Rights Reserved

MULE PRO-FXT™ (15-19), MULE PRO-DXT™ (16-19)  
Sportsman Package ..... 99969-3768.. \$1,771.95

## D Sportsman Package



APPAREL

MULE™

TERRY®

ATV

SPORT / DUAL SPORT

OFFROAD PERFORMANCE

CRUISER

WATERCRAFT

WINCHES

ESSENTIALS

INDEX

# Kawasaki

2" Hitch Drawbar, 4" Drop .....	TX750-015 .....	75
Accessory Fuse Box (15-17) .....	KAF080-076 .....	57
Accessory Fuse Box (18-19) .....	99994-1082 .....	57
Accessory Harness, Front .....	KAF080-043 .....	57
Accessory Harness, Rear .....	KAF080-044 .....	57
Audio System .....	99994-0966 .....	53
Back-Up Beeper .....	KAF080-030 .....	74
Block Heater .....	99994-0741 .....	75
Brush Guard .....	99994-0412 .....	69
Cabin Fan .....	KAF080-023 .....	58
Cargo Bed Divider .....	KAF080-037 .....	73
Cargo Bed Lift .....	KAF080-002 .....	72
Cargo Bed Mat .....	KAF080-065 .....	73
Cargo Light .....	KAF080-078 .....	58
Center Console .....	KAF080-032 .....	54
Chrome Hitch Ball, 1 7/8" .....	KAF127 .....	75
Chrome Hitch Ball, 2" .....	KAF136 .....	75
Contoured Seat .....	99994-0874 .....	59
Curtis® Cabs and Accessories by Curtis®		
Accessory Fuse Panel Kit .....	1KAPFXFP .....	62
AS1 Glass Windshield .....	1KAPFXCAS1 .....	60
Corner Flashers Kit .....	1KAPFXCFL .....	61
Dome Light .....	9LEDD14 .....	61
Hard Cab Enclosure with Polycarbonate Windshield .....	1KAPFXCA .....	60
Hard Cab Enclosure with Heavy Duty Spring Set .....	99994-0514 .....	60
Heater (In-Dash) .....	9PH20S61 .....	61
Low-Profile Front Lights .....	1KAPFXFWL .....	61
Low-Profile Rear Work Lights .....	1KAPFXRWL .....	61
Roof Mount Beacon Strobe Light .....	9LEDS2 .....	62
Rearview Mirror .....	9PM3 .....	62
Windshield Wiper Kit .....	1KAPFXWK .....	62
CV Joint Guard Set, Front .....	99994-0428 .....	71
CV Joint Guard Set, Rear .....	99994-0429 .....	71
Dual Battery Kit .....	KAF080-025 .....	74
Flip-Up Polycarbonate Windshield .....	99994-0753 .....	66
Floor Mat Set .....	KAF080-033 .....	54
Front Rack .....	KAF080-021 .....	69
Hard Cab Enclosure, Door Set .....	KAF080-062 .....	55
Hard Cab Enclosure, Rear Panel .....	KAF080-061 .....	55
Hard Cab Enclosure, Roof .....	KAF080-060 .....	55
Headrest .....	99994-0859 .....	58
Headrest Bracket .....	99994-0955 .....	58
Heater .....	KAF080-008 .....	58
Heavy Duty Spring Set .....	99994-0514 .....	55
Hitch Pin, 5/8" .....	TLR39 .....	75
Horn .....	99994-0455 .....	74
KQR™ Accessories Mount .....	KAF080-012 .....	74
KQR™ Cargo Bed Extender .....	KAF080-022 .....	73
KQR™ Cargo Box .....	KAF080-017 .....	74
KQR™ Full Windshield, Glass .....	KAF080-041 .....	65
KQR™ Full Windshield, Plastic .....	KAF080-001 .....	65
KQR™ Half Windshield .....	KAF080-027 .....	65
LED Beacon Strobe Light .....	KAF080-079 .....	57
LED Dome Light .....	KAF080-035 .....	58
LED Headlight Set .....	99994-1071 .....	70
LED Light Bar .....	KAF080-048 .....	70
LED Light Bar Harness Kit .....	KAF080-020 .....	70



# MULE PRO-FX™

# MULE PRO-DX™

## Packages - MULE PRO-FX™ / DX™

Adventure Package.....	99969-3763.....	78
Open Range Package .....	99969-3762.....	77
Sportsman Package .....	99969-3764.....	78
Utility Package .....	99969-3761.....	77
Plastic Roof .....	99994-0571.....	65
Plow Base.....	KW79805 .....	67
Plow Frame .....	KW79958 .....	67
Plow Mount.....	KAF080-009.....	67
Premium Side Mirror Set.....	99994-0856.....	59
Rear Bumper .....	99994-0413.....	70
Rearview Mirror.....	TX750-077 .....	59
Reducer Bushing .....	TLR36A .....	75
Seat Cover		
Black .....	99994-1151.....	75
Realtree® Xtra® Green .....	KAF080-039.....	75
Side Mirror Set.....	KAF080-014.....	59
Skid Plates		
Front.....	99994-0438.....	71
Mid .....	99994-0439.....	71
Rear .....	99994-0512.....	71
Soft Cab Enclosure, Roof and Back		
Black .....	KAF080-067 .....	63
Realtree® Xtra® Green .....	KAF080-069.....	63
Soft Cab Enclosure, Soft Door Set		
Black .....	KAF080-068.....	63
Realtree® Xtra® Green .....	KAF080-070.....	63
Soft Roof		
Black.....	KAF080-071.....	64
Realtree® Xtra® Green .....	KAF080-072.....	64
Standard Side Mirror Set .....	99994-0855.....	59
Storage Cover .....	KAF080-073.....	76
Tail Light Guard Set.....	99994-0424.....	70
Underseat Storage Bin.....	99994-1029.....	54
Universal Ignition Switch.....	27005-0626.....	54
Winch Mount.....	99994-0687.....	68
Windshield Washer .....	KAF080-024.....	57
Windshield Wiper.....	KAF080-011.....	57



APPAREL

MULE™

TERYX®

ATV

SPORT / DUAL SPORT

OFFROAD PERFORMANCE

CRUISER

WATERCRAFT

WINCHES

ESSENTIALS

INDEX



## A Audio System

The Audio System is engineered to consistently deliver great sound • Center mount Audio System controller is designed to integrate into your machine, and features an AM/FM Bluetooth® radio

- The Audio System utilizes a four channel 180 watt internal amplifier and powers four high end speakers
- Speakers are mounted in composite enclosures 2 below the dash and 2 on the ROPS • These enclosures help resist the elements and add to the sound quality of the high and low frequencies
- The Audio System installs in your MULE PRO-FX™ or PRO-DX™ side x side

### ADDITIONAL STEREO FEATURES:

AM/FM/Bluetooth®/USB stereo • 10m (32") Bluetooth® Range • Large LCD display with backlit controls • 40w x 4 maximum output for powerful sound • RCA amplifier line-out • Two additional accessory switch knockouts located in mounting plate • Large waterproof buttons for Play/Pause, Tracks Forward/Back, Volume Up/Down and Power On/Off functions that are easy to operate with riding gloves on

### ADDITIONAL SPEAKERS FEATURES:

4 165mm (6.5") Waterproof 2-way full range speakers • Protected against sun fade with UVA paint coating • Conformal coated crossover components help protect against dust and sand • 12dB Butterworth Internal crossover for smooth transition from high to lower frequencies • High temperature composite enclosure secure the speakers to the machine and aide in assuring deep bass • Bridged woofers/tweeters • 19mm (.75") pure titanium dome tweeter • Composite poly cone provides sharp deep bass while remaining waterproof • High energy strontium ferrite magnet for higher output with minimal amplifier power • 300 watts peak power handling • 150 watts RMS power handling

MULE PRO-FX™ (16-19), MULE PRO-DX™ (16-19)  
 Audio System ..... 99994-0966..... \$599.95

## A Audio System



## A Audio System



## B Center Console



## C Universal Ignition Switch



## B Center Console

Store small tools, important documents and additional items in this durable water-resistant Center Console • Hinged lid locks into place when closed • Dual drink holders molded into console • Console is covered with a 19mm ( $\frac{3}{4}$ " ) thick foam pad for driver and passenger comfort • Attaches quickly and easily to the front bench seat in the center passenger position with provided shock cords • Made of roto-molded HDPE with a textured black finish • Dimensions of Center Console are 533mm (21") L x 260mm (10  $\frac{1}{4}$ " ) W x 203 (8") H

MULE PRO-FX™ (16-19), MULE PRO-DX™ (16-19)  
Center Console ..... KAF080-032..... \$125.95

## C Universal Ignition Switch

The Universal Ignition Switch allows the use of one key for many different vehicles • Simply replace the stock ignition switch with the Universal Ignition Switch in all of the vehicles with which you would like to use the same key

MULE PRO-FX™ (16-19), MULE PRO-DX™ (16-19)  
Universal Ignition Switch..... 27005-0644..... \$55.95

## D Floor Mat Set



## D Floor Mat Set

These 4.7mm ( $\frac{3}{16}$ " ) extra thick rubber mats have been molded for a perfect fit and mount directly to the floorboard to prevent movement while operating • The extra thick rubber also helps to reduce sound levels caused from vibration

MULE PRO-FX™ (16-19), MULE PRO-DX™ (16-19)  
Floor Mat Set ..... KAF080-033..... \$149.95

## E Underseat Storage Bin

Storage space is always a premium, especially when on the trail or at the job site • Add an additional 28 liters of storage capacity securely and out of sight with this easy-to-access Underseat Storage Bin • Mounts under front bench seat with no added hardware • Polyethylene construction • Matching snap-on lid to keep your cargo protected • Storage Bin removes easily for cleaning once installed

MULE PRO-FX™ (16-19), MULE PRO-DX™ (16-19)  
Underseat Storage Bin..... 99994-1029..... \$145.95

## E Underseat Storage Bin





APPAREL  
MULE™  
TERRY®  
ATV  
SPORT / DUAL SPORT  
PERFORMANCE  
OFFROAD  
CRUISER  
WATERCRAFT  
WINCHES  
ESSENTIALS  
INDEX

## A Hard Cab Enclosure

The Hard Cab Enclosure helps provide in-cabin comfort and occupant protection from the weather

- Constructed of double wall TPO plastic with a steel framework
- Two large fresh air vents on top portion of rear window of cab to help increase ventilation
- Each door features lockable latches, sliding safety-glass side windows, and built-in mesh storage compartments for storage of small items
- Doors are sold separately in sets of two

Hard Cab Enclosure required components include Hard Cab Enclosure Roof (KAF080-060), Hard Cab Enclosure Rear Panel (KAF080-061), Hard Cab Enclosure Door Set (KAF080-062), and KQR™ Full Windshield, Glass (KAF080-041) or KQR™ Full Windshield, Plastic (KAF080-001), all sold separately

- Optional cab components such as Heavy-Duty Spring Set (99994-0514), Heater (KAF080-008), Side Mirror Set (KAF080-014), Beacon Strobe Light (KAF080-079), Cargo Light (KAF080-078), LED Dome Light (KAF080-035), Cabin Fan (KAF080-023), Windshield Washer (KAF080-024), Windshield Wiper (KAF080-011), Accessory Fuse Box (99994-1082) (18) or (KAF080-076) (15-17), Front Accessory Harness (KAF080-043), and Rear Accessory Harness (KAF080-044) are also sold separately

Remove for towing or use an enclosed trailer when transporting a vehicle with a Hard Cab Enclosure installed

MULE PRO-FX™ (16-19), MULE PRO-DX™ (16-19) Roof.....	KAF080-060.....	\$724.95
Rear Panel with Polycarbonate Window.....	KAF080-061.....	\$839.95
Door Set.....	KAF080-062..	\$2,799.95
KQR™ Full Windshield, Plastic.....	KAF080-001.....	\$625.95
KQR™ Full Windshield, Glass.....	KAF080-041.....	\$732.95

## B Heavy Duty Spring Set

Heavy-Duty Springs increase bottoming resistance when carrying a heavy load and/or when heavy accessories such as a Kawasaki Genuine Hard Cab Enclosure (KAF080-060) or Plow System are installed

- Optional on MULE PRO-FX™ / MULE PRO-DX™
- Steel springs with gloss black finish: Two front springs and two rear springs included
- Direct replacement of stock springs

MULE PRO-FX™ (16-19), MULE PRO-DX™ (16-19) Heavy Duty Spring Set.....	99994-0514.....	\$275.95
---	-----------------	----------

## A Hard Cab Enclosure, Roof and Frame

### MULE PRO-FX™ SHOWN WITH:

- KQR™ FULL WINDSHIELD, GLASS
- HARD CAB ENCLOSURE ROOF
- HARD CAB ENCLOSURE REAR PANEL
- HARD CAB ENCLOSURE DOOR SET
- WINDSHIELD WIPER



## B Heavy Duty Spring Set







**MULE** **MULE**  
**PRO-FX™** **PRO-DX™**

APPAREL

MULE™

TERRY®

ATV

SPORT / DUAL SPORT

OFFROAD  
PERFORMANCE

CRUISER

WATERCRAFT

WINCHES

ESSENTIALS

INDEX



### A Accessory Fuse Box

The Accessory Fuse Box allows for the seamless integration and the convenience of operating up to 6 Kawasaki Genuine Accessories from the comfort and confines of your vehicle's cabin • Required for installation of WARN® ProVantage™ Plow Systems and Winches

MULE PRO-FX™ (18-19), MULE PRO-DX™ (18-19)  
 Accessory Fuse Box (18-19) ..... 99994-1082..... \$329.95  
 Accessory Fuse Box (16-17) ..... KAF080-076..... \$319.95

### B LED Beacon Strobe Light

Industrial grade components • LED bulbs • 40W / 12-80VDC • Acrylic amber colored lens and nylon base • SAE J575 and J845 compliant and waterproof to IP67 rating • Hard Cab Enclosure (KAF080-060) and related components required • Also requires Kawasaki Genuine Accessory Fuse Box (99994-1082) (18) or (KAF080-076) (15-17) and Rear Accessory Harness (KAF080-044) to operate

MULE PRO-FX™ (16-19), MULE PRO-DX™ (16-19)  
 LED Beacon Strobe Light..... KAF080-079..... \$429.95

### C Accessory Harness

Power your vehicle's electronic accessories the easy way • The Front and Rear Accessory Harnesses offer a convenient plug-in location for mounted accessories and routes otherwise unsightly wires through pre-molded channels in the Hard Cab Enclosure Roof • Hard Cab Enclosure (KAF080-060) and related components may be required

MULE PRO-FX™ (16-19), MULE PRO-DX™ (16-19)  
 Front Accessory Harness ..... KAF080-043..... \$105.95  
 Rear Accessory Harness..... KAF080-044..... \$75.95

### D Windshield Washer

Directs washing fluid onto accessory glass windshield • Flexible plastic container holds cleaning solution • For use on glass windshield only • Hard Cab Enclosure (KAF080-060) required • Requires Glass Windshield (KAF080-041), Windshield Wiper (KAF080-011), and Accessory Fuse Box (99994-1082) (18) or (KAF080-076) (15-17)

MULE PRO-FX™ (16-19), MULE PRO-DX™ (16-19)  
 Windshield Washer ..... KAF080-024..... \$189.95

### E Windshield Wiper

Clear debris off the windshield with our Windshield Wiper • The kit mounts to the upper center portion of your windshield • Switch operated • Features a 110° sweep radius • 20" black flex blade • Windshield Washer (KAF080-024) recommended • For use on glass windshield only • Hard Cab Enclosure (KAF080-060) and related components required • Requires Full Windshield - Glass (KAF080-041), Front Accessory Harness (KAF080-043) and Accessory Fuse Box (99994-1082) (18) or (KAF080-076) (15-17)

MULE PRO-FX™ (16-19), MULE PRO-DX™ (16-19)  
 Windshield Wiper..... KAF080-011..... \$269.95

### A Accessory Fuse Box (18-19)



### B LED Beacon Strobe Light



### C Front Accessory Harness



### C Rear Accessory Harness



### D Windshield Washer



### E Windshield Wiper



## F Heater



## F Heater

This fully integrated system dramatically improves in-cabin comfort during those cold mornings and long winters • Utilizes the heat generated from your engine's liquid cooling system • Distributes hot air throughout the cabin via two adjustable automotive style floor vents • The system also features a windshield defroster vent to eliminate condensation or clear frost from your windshield • 2-speed blower • 22,000 BTU • Durable textured black powder coating • Can be used alone or as an optional component of the Soft Cab Enclosure or Hard Cab Enclosure • Must be installed prior to Hard Cab Enclosure installation

MULE PRO-FX™ (16-19), MULE PRO-DX™ (16-19)  
Heater ..... KAF080-008..... \$725.95

## G Cabin Fan

Increases airflow within the Hard Cab Enclosure by drawing in outside air • Mounts to top of Hard Cab Enclosure Roof • Conveniently operated by dash mounted switch • Dealer installation recommended • Hard Cab Enclosure (KAF080-060) and related components required • Also requires Kawasaki Genuine Accessory Fuse Box (99994-1082) (18) or (KAF080-076) (15-17) and Rear Accessory Harness (KAF080-044) to operate

MULE PRO-FX™ (16-19), MULE PRO-DX™ (16-19)  
Cabin Fan ..... KAF080-023..... \$258.95

## G Cabin Fan



## H Headrest



## H Headrest

Offers additional occupant comfort • Made from high-density foam with a molded Kawasaki logo • Sold as an individual headrest • Headrest Bracket (99994-0955) required for mounting Headrest (99994-0859) • Black powder coated steel brackets for long lasting finish quality

MULE PRO-FX™ (16-19), MULE PRO-DX™ (16-19)  
Headrest..... 99994-0859..... \$94.95  
Headrest Bracket ..... 99994-0955..... \$27.95

## I LED Dome Light



## I LED Dome Light

LED Dome Light illuminates the interior of your vehicle's cabin • Battery operated design allows for a quick, wireless installation • Black light housing • Hard Cab Enclosure (KAF080-060) and related components required • Battery CR2450

MULE PRO-FX™ (16-19), MULE PRO-DX™ (16-19)  
LED Dome Light..... KAF080-035..... \$39.95

## J Cargo Light



## J Cargo Light

Working late into the night? Illuminate your cargo or simply shed some light on the rear of your vehicle • LED flood light • 1100 lumens • Cast aluminum housing with black powder coat finish • Includes mounting bracket and hardware to mount Cargo Light to Hard Cab Enclosure • Conveniently operated by dash mounted switch • Mounts to Hard Cab Enclosure • Hard Cab Enclosure (KAF080-060) and related components required • Mounting position varies per model • Requires Kawasaki Genuine Accessory Fuse Box (99994-1082) (18) or (KAF080-076) (15-17) and Rear Accessory Harness (KAF080-044) to operate

MULE PRO-FX™ (16-19), MULE PRO-DX™ (16-19)  
Cargo Light ..... KAF080-078..... \$399.95

**A Contoured Seat**

Thick cushioned seat provides superior comfort

- Contoured seat bottom cups driver and passenger into the seat
- Durable seat material remains flexible in cool temperatures
- Not for rear seat replacement in MULE PRO-FX™, MULE PRO-DX™ side x sides

MULE PRO-FX™ (16-19), MULE PRO-DX™ (16-19)  
Contoured Seat..... 99994-0874..... \$339.95

**B Rearview Mirror**

3D curved safety glass mirror provides increased field of view

- Textured black powder coating
- Aluminum mounting with 43mm diameter clamp
- 273mm (10 3/4") L x 89mm (3 1/2") H

MULE PRO-FX™ (16-19), MULE PRO-DX™ (16-19)  
Rearview Mirror..... TX750-077..... \$65.95

**C Standard Side Mirror Set**

Vertical shatter-resistant safety glass mirror sits in high-impact plastic housing

- Convex mirror surface increases the driver's field of view
- Adaptive 360° bracket rotation provides preferred viewing position
- Mirrors attach directly to vehicle ROPS
- Not compatible with Soft Cab Enclosures

MULE PRO-FX™ (16-19), MULE PRO-DX™ (16-19)  
Standard Side Mirror Set ..... 99994-0855..... \$62.95

**D Premium Side Mirror Set**

Horizontal shatter-resistant safety glass mirror sits in cast aluminum armored housing

- Convex mirror surface increases the driver's field of view
- Adaptive 360° bracket rotation provides preferred viewing position
- An enclosed floating mirror mount helps adjust and protect the mirror within its housing
- Kawasaki logos are embossed on the seal cap and back
- Cap is weather sealed to help protect the hardware from moisture and debris
- Mirrors attach directly to vehicle ROPS
- Not compatible with Soft Cab Enclosures

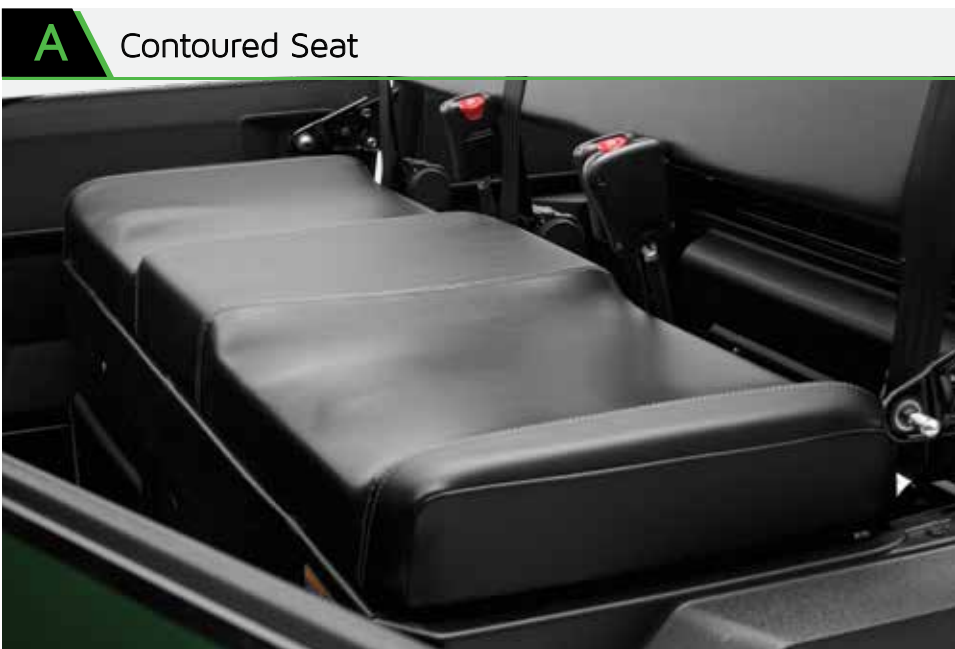
MULE PRO-FX™ (16-19), MULE PRO-DX™ (16-19)  
Premium Side Mirror Set..... 99994-0856..... \$159.95

**E Side Mirror Set**

Mirrors are enclosed in a durable black housing

- Easily installs to your Front Hard Cab Enclosure Doors (KAF080-062)
- Hard Cab Enclosure (KAF080-060) and related components required

MULE PRO-FX™ (16-19), MULE PRO-DX™ (16-19)  
Side Mirror Set..... KAF080-014..... \$125.95



**B Rearview Mirror**



**C Standard Side Mirror Set**



**D Premium Side Mirror Set**



**E Side Mirror Set**



## F Hard Cab Enclosure by Curtis®



## G Heavy Duty Spring Set



## F Hard Cab Enclosure by Curtis®

The Hard Cab Enclosure helps provide comfort by providing the operator with protection from the weather, drafts, dust, and moisture • Commercial grade steel, textured powder-coated finish cab • Choose either vented AS1 Glass Windshield (1KAPFXTCAS1) or Polycarbonate Windshield (1KAPFXTCA) Hard Cab Enclosure • Rear panel with safety glass door slider to help increase ventilation • Total weather seal design • Acoustic headliner • Windshield and doors assisted with gas shocks • Each door features lockable latches and safety glass removable sliders for more ventilation

Requires Heavy-Duty Springs (99994-0514), sold separately. Optional cab accessories such as Front Windshield Wiper (1KAPFXWK), In-Dash Heater (9PH20S61), Accessory Fuse Box (1KAPFXFP), Low-Profile Front Lights (1KAPFXFWL), Low Profile Rear Work Lights (1KAPFXRWL), Corner Flasher Kit (1KAPFXCFL), Roof Mount Beacon Strobe Light (9LEDS2), LED Dome Light Set (9LEDD14), Side Mirror Kit (99994-0905), Rear View Mirror (9PM3) are also sold separately.

Remove for towing or use an enclosed trailer when transporting a vehicle with a Hard Cab Enclosure installed

MULE PRO-FX™ (16-19), MULE PRO-DX™ (16-19)

Hard Cab Enclosure with

Polycarbonate Windshield ..... 1KAPFXCA.. \$4,495.95

Hard Cab Enclosure with

AS1 Glass Windshield ..... 1KAPFXTCAS1.. \$4,695.95

## G Heavy Duty Spring Set

Heavy-Duty Springs increase bottoming resistance when carrying a heavy load and/or when heavy accessories such as a Kawasaki Genuine Hard Cab Enclosure (KAF080-060) or Plow System are installed • Optional on MULE PRO-FX™ / MULE PRO-DX™

• Steel springs with gloss black finish: Two front springs and two rear springs included • Direct replacement of stock springs

MULE PRO-FX™ (16-19), MULE PRO-DX™ (16-19)

Heavy Duty Spring Set..... 99994-0514..... \$275.95



Optional Curtis® Cab components should only be used with Hard Cab Enclosures by Curtis® .



### A Heater (In-Dash) by Curtis®

Fully integrated, under-hood design provides excellent fit and finish. • No cabin heater box inside the cab to encroach on passenger leg room  
 • Utilizes the heat generated from the engine's liquid cooling system • Two 360-degree adjustable louvers on the dash provide full windshield defrost  
 • Two additional adjustable downward facing outlets distribute heat evenly throughout the cab  
 • 2-speed blower • Illuminated dash switch • An in-line shutoff valve easily converts the heater to a fan/blower for added cab ventilation during warm weather operation • Prewired and includes wire harness needed for installation

MULE PRO-FX™ (16-19), MULE PRO-DX™ (16-19)  
 Heater (In-Dash).....9PH20S61..... \$844.95

### B Dome Light by Curtis®

LED swivel dome light – super bright directional LED dome light can spin, swivel and tilt to direct light to where you need it most • Kit includes prewired harness • Requires Accessory Fuse Panel Kit (1KAPFXFP), sold separately

MULE PRO-FX™ (16-19), MULE PRO-DX™ (16-19)  
 Dome Light .....9LEDD14..... \$109.95

### C Low-Profile Front Lights by Curtis®

Powerful low-profile LED roof mount work lights  
 • Kit includes two 5-LED flat lights with brackets, a switch and wire harness for installation • Hard Cab Enclosure (1KAPFXCA, 1KAPFXCAS1, 1KAPFXTCA or 1KAPFXTCAS1) required • Approximately 1,750 lumens (875 lumens per light) • Requires Accessory Fuse Panel Kit (1KAPFXFP), sold separately

MULE PRO-FX™ (16-19), MULE PRO-DX™ (16-19)  
 Low-Profile Front Lights.....1KAPFXFWL..... \$349.95

### D Low-Profile Rear Work Lights by Curtis®

Powerful low-profile LED roof mount work lights  
 • Kit includes two 5-LED flat lights with brackets, a switch and wire harness for installation • Hard Cab Enclosure (1KAPFXCA, 1KAPFXCAS1, 1KAPFXTCA or 1KAPFXTCAS1) required • Approximately 1,750 lumens (875 lumens per light) • Requires Accessory Fuse Panel Kit (1KAPFXFP), sold separately

MULE PRO-FX™ (16-19), MULE PRO-DX™ (16-19)  
 Low-Profile Rear Work Lights .....1KAPFXRWL..... \$360.95

### E Corner Flashers Kit by Curtis®

Three bright LED amber lights at all 4 corners of the roof flash and keep you more visible • Prewired and includes wire harness needed for installation  
 • Requires Fuse Panel Kit (1KAPFXFP), sold separately

MULE PRO-FX™ (16-19), MULE PRO-DX™ (16-19)  
 Corner Flashers Kit .....1KAPFXCFL..... \$888.95



Optional Curtis® Cab components should only be used with Hard Cab Enclosures by Curtis® .

### A Heater (In-Dash) by Curtis®



### B Dome Light by Curtis®



### C Low-Profile Front Lights by Curtis®



### D Low-Profile Rear Work Lights by Curtis®



### E Corner Flashers By Curtis®



**F** Roof Mount Beacon Strobe Light by Curtis®



**G** Accessory Fuse Panel by Curtis®



**F** Roof Mount Beacon Strobe Light by Curtis®

Help increase your visibility with a roof-mount beacon strobe light • Kit comes with switch and wire harness for installation to the roof of your vehicle • Three different flash modes • Hard Cab Enclosure (1KAPFXCA, 1KAPFXCAS1, 1KAPFXTCA or 1KAPFXTCAS1) required • Requires Fuse Panel Kit (1KAPFXFP), sold separately

MULE PRO-FX™ (16-19)  
Roof Mount Beacon Strobe Light .....9LED52..... \$174.95

**G** Accessory Fuse Panel Kit by Curtis®

Six position Accessory Fuse Panel with grounded block included • Plug & Play style wiring, pre-terminated • Includes dust cover • Required for installation of various electrical accessories

MULE PRO-FX™ (16-19), MULE PRO-DX™ (16-19)  
Accessory Fuse Panel Kit .....1KAPFXFP..... \$309.95

**H** Windshield Wiper Kit by Curtis®



**I** Rearview Mirror by Curtis®



**H** Windshield Wiper Kit by Curtis®

Help improve visibility during a rain / snow storm or clear debris off the windshield with an automotive style Windshield Wiper • The Wiper features a 172 degree sweep • Kit includes motor, blade arm, flex blade, wire harness and console rocker switch • Blade lengths: 14-inch blade for AS1 glass windshield; 16-inch blade for polycarbonate windshield • Hard Cab Enclosure (1KAPFXCA, 1KAPFXCAS1, 1KAPFXTCA or 1KAPFXTCAS1) required • Requires Fuse Panel Kit (1KAPFXFP), sold separately

MULE PRO-FX™ (16-19), MULE PRO-DX™ (16-19)  
Windshield Wiper Kit ..... 1KAPFXWK..... \$380.95

**I** Rearview Mirror by Curtis®

Interior rearview mirror mounts to roof • Mirror adds visibility and safety while working and driving • Hard Cab Enclosure (1KAPFXCA, 1KAPFXCAS1, 1KAPFXTCA or 1KAPFXTCAS1) required

MULE PRO-FX™ (16-19), MULE PRO-DX™ (16-19)  
Rearview Mirror.....9PM3..... \$89.95



Optional Curtis® Cab components should only be used with Hard Cab Enclosures by Curtis® .



APPAREL  
MULE™  
TERRY®  
ATV  
SPORT / DUAL SPORT  
OFFROAD PERFORMANCE  
CRUISER  
WATERCRAFT  
WINCHES  
ESSENTIALS  
INDEX

**A Soft Cab Enclosure**

**A Soft Cab Enclosure**

KAWASAKI GENUINE SOFT CAB ENCLOSURE PROVIDES A LIGHTWEIGHT AND STYLISH

- MADE FROM 600 DENIER SUR LAST® WATER-RESISTANT FABRIC

Rear window zips open for increased cabin airflow

- Doors fasten to the existing bodywork and are held closed with a unique magnet latching system
- Large side windows offer additional light and unzip for added ventilation
- Doors are offered as a set of two in black (KAF080-068) or Realtree® Xtra® Green (KAF080-070), sold separately and must be attached to Soft Cab Enclosure
- Requires QOR™ Full Windshield, Plastic (KAF080-001) to complete Soft Cab Enclosure system

Realtree APG-XTRA Camouflage Design ©2012 of Jordon Outdoor Enterprises, Ltd., All Rights Reserved

Remove for towing or use an enclosed trailer when transporting a vehicle with a Soft Cab Enclosure installed

**MULE PRO-FX™ (16-19), MULE PRO-DX™ (16-19)**

Roof and Back, Black .....	KAF080-067.....	\$269.95
Roof and Back, Realtree® Xtra® Green .....	KAF080-069.....	\$284.95
Soft Door Set, Black.....	KAF080-068.....	\$435.95
Soft Door Set, Realtree® Xtra® Green .....	KAF080-070.....	\$446.95
QOR™ Full Windshield, Plastic .....	KAF080-001.....	\$625.95



REALTREE® XTRA® GREEN



BLACK





## B Plastic Roof



## C Soft Roof (Black)



## C Soft Roof (Realtree® Xtra® Green)



## B Plastic Roof

This semi-rigid Plastic Roof helps offer passenger protection from harsh weather and sun • Integrated rear hinge to allow for operation of your tilt bed

- Contoured lightweight design for added style
- Made from semi-rigid black textured plastic
- Can use alone or with KQR™ Half Windshield (KAF080-027), KQR™ Full Windshield, Plastic (KAF080-001), or Flip-Up Polycarbonate Windshield (99994-0753) • Original equipment on LE models
- Not compatible with Hard Cab Enclosure (KAF080-060) accessories

Remove for towing or use an enclosed trailer when transporting a vehicle with a Plastic Roof installed  
**MULE PRO-FX™ (16-19), MULE PRO-DX™ (16-19)**  
 Plastic Roof ..... 99994-0571..... \$299.95

## C Soft Roof

One of our most popular accessories for a good reason • This stylish Soft Roof quickly and seamlessly installs for full overhead coverage and weather protection on the trail • Made from 600 denier Sur Last® water-resistant fabric • Available in black or Realtree® Xtra® Green • Tightly straps to the vehicle Roll Over Protective Structure (ROPS) for an integrated fit • Compatible with KQR™ Half Windshield (KAF080-027), KQR™ Full Windshield, Plastic (KAF080-001), or Flip-Up Polycarbonate Windshield (99994-0753)

Remove for towing or use an enclosed trailer when transporting a vehicle with a Soft Roof installed

Realtree APG-XTRA Camouflage Design ©2012 of Jordon Outdoor Enterprises, Ltd., All Rights Reserved"  
**MULE PRO-FX™ (16-19), MULE PRO-DX™ (16-19)**  
 Black ..... KAF080-071..... \$155.95  
 Soft Roof,  
 Realtree® Xtra® Green ..... KAF080-072..... \$165.95



APPAREL

MULE™

TERRY®

ATV

SPORT / DUAL SPORT

OFFROAD PERFORMANCE

CRUISER

WATERCRAFT

WINCHES

ESSENTIALS

INDEX

### A KQR™ Half Windshield

Deflect direct wind blasts while maintaining comfortable air-flow throughout cabin with the KQR™ Half Windshield • KQR™ mounting system allows for easy installation or removal once installed

- Made from scratch-resistant polycarbonate
- Drilling required for center mount bracket

Remove for towing or use an enclosed trailer when transporting a vehicle with a KQR™ Half Windshield installed

MULE PRO-FX™ (16-19), MULE PRO-DX™ (16-19)  
KQR™ Half Windshield, Plastic ..... KAF080-027..... \$209.95

### B KQR™ Full Windshield, Plastic

The KQR™ Full Windshield, Plastic can be quickly installed or removed • Helps provide protection from wind for improved in-cabin comfort • Three large fresh-air vents on windshield open and close to increase airflow in cabin • Made from scratch-resistant polycarbonate • Drilling required for center mount bracket • Can be used alone or as a component of the Hard or Soft Cab Enclosures

- Windshield Washer (KAF080-024) and Windshield Wiper (KAF080-011) not compatible with KQR™ Full Windshield, Plastic (KAF080-001)

Remove for towing or use an enclosed trailer when transporting a vehicle with a KQR™ Full Windshield, Plastic installed

MULE PRO-FX™ (16-19), MULE PRO-DX™ (16-19)  
KQR™ Full Windshield, Plastic ..... KAF080-001..... \$625.95

### C KQR™ Full Windshield, Glass

The KQR™ Full Windshield, Glass can be quickly installed or removed with minimal use of tools once installed • Helps provide protection from wind and debris for improved in-cabin comfort • Two large fresh-air vents on top portion of windshield open and close to increase airflow in cab • Made from DOT approved AS1 safety glass • Not for individual use • Hard Cab Enclosure (KAF080-060) and related components required

Remove for towing or use an enclosed trailer when transporting a vehicle with a KQR™ Full Windshield, Glass installed

MULE PRO-FX™ (16-19), MULE PRO-DX™ (16-19)  
KQR™ Full Windshield, Glass..... KAF080-041..... \$732.95



## D Flip-Up Polycarbonate Windshield (Closed)



## D Flip-Up Polycarbonate Windshield (Opened)



## D Flip-Up Polycarbonate Windshield

Three-position Flip-Up Polycarbonate Windshield provides the option for a sealed windshield with the ability to flip up to let just the right amount of air into the cabin • Closed and vented positions allow occupants to limit air flow when driving while the fully open position provides maximum airflow while stopped • Made from 4.5mm (0.177") scratch-resistant polycarbonate (hard coated) • Not compatible with Front Rack, Hard Cab Enclosures, or Soft Cab Enclosures

Towable in forward facing position only • Flip-Up Polycarbonate Windshield must be in the closed and locked position

MULE PRO-FX™ (16-19), MULE PRO-DX™ (16-19)

Flip-Up Polycarbonate Windshield  
..... 99994-0753..... \$789.95

APPAREL

MULE™

TERRY®

ATV

SPORT / DUAL SPORT

OFFROAD PERFORMANCE

CRUISER

WATERCRAFT

WINCHES

ESSENTIALS

INDEX



## Plow

Increase the capabilities of your MULE PRO-FX™/ PRO-DX™ side x side by adding a WARN® ProVantage™ Front Mount Plow. Designed specifically for your MULE™ vehicle, this plow features an easy-to-use rapid connection system

- With this system, you can plow away unwanted material, disconnect the plow and free your MULE™ side x side for other applications

For a complete kit, order the following items:

Plow Mount KAF080-009  
 Plow Frame KW79805  
 Plow Blade KW79958  
 Winch Mount 99994-0687  
 Accessory Fuse Box (18) 99994-1082  
 Accessory Fuse Box (15-17) KAF080-076

And your choice of winch:

4500S KAF080-051  
 4500 KAF080-050  
 4000S KAF080-053  
 4000 KAF080-052  
 See Winch catalog for description.

Note: Accessory Fuse Box, Winch, and Winch Mount required for raising and lowering the Plow Blade.

WARN®, the WARN logo and THE RED HOOK STRAP are registered trademarks of Warn Industries, Inc. ProVantage™ and Vantage™ are trademarks of Warn Industries, Inc.

### A Plow Frame

The WARN® Plow Frame assembly features an extra wide design for a forward trip system, and an interlocked rotating base plate

- Designed for strength, durability, and impact resistance
- 5 point adjustment system (30°, 15°, 0°, -15°, -30°) offers a solution for a wide range of plowing scenarios

MULE PRO-FX™ (16-19), MULE PRO-DX™ (16-19)  
 Plow Frame .....KW79805..... \$369.95

### B Plow Mount

3-step rapid connection system featuring a self-locating pin allows you to remove the Plow Blade and Frame quickly

- Mount is located at the front of the vehicle

MULE PRO-FX™ (16-19), MULE PRO-DX™ (16-19)  
 Plow Mount ..... KAF080-009..... \$419.98

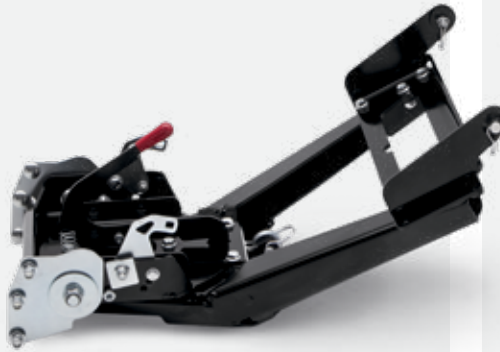
### C Plow Blade

Made from thick 12-gauge steel with heavy-duty ribbing and a center cross member for added rigidity

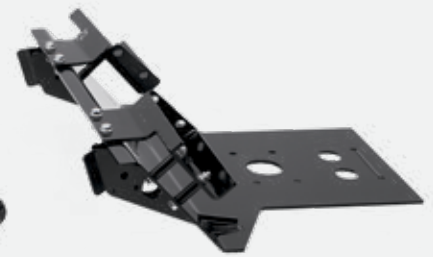
- Boxed design adds extra support
- Special low-friction powdercoated finish helps keep material from sticking to the blade
- 1,829mm (72") width allows you to move a large amount of material at one time

MULE PRO-FX™ (16-19), MULE PRO-DX™ (16-19)  
 Plow Blade .....KW79958..... \$389.95

## A Plow Frame



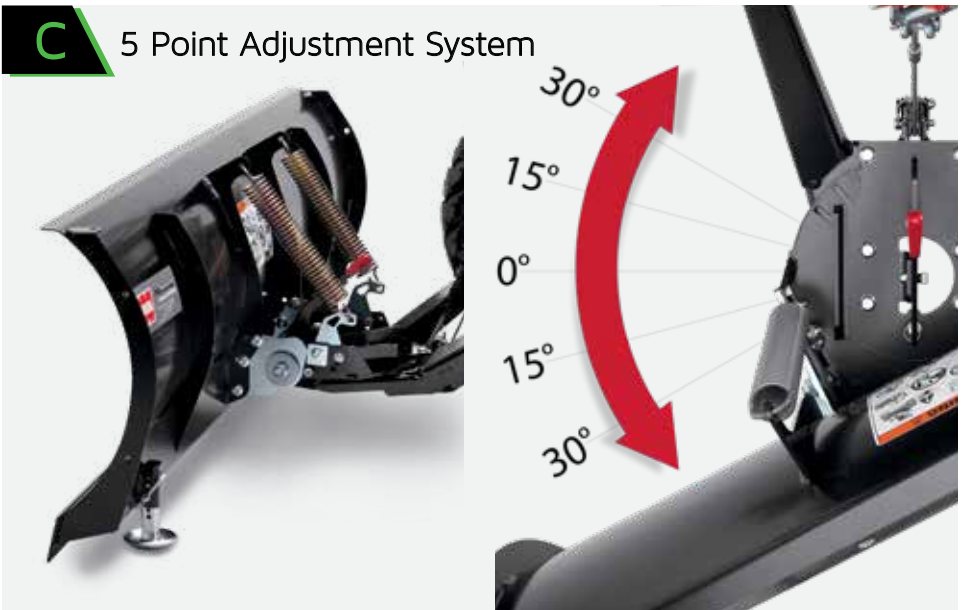
## B Plow Mount



## C Plow Blade



## C 5 Point Adjustment System



## D Winch Mount



## E Accessory Fuse Box



## D Winch Mount

A Winch Mount is required when installing a WARN® ProVantage™ or Vantage™ winch and roller fairlead to your vehicle • Four-bolt pattern allows for hassle-free installation of WARN® products

MULE PRO-FX™ (16-19), MULE PRO-DX™ (16-19)  
Winch Mount..... 99994-0687..... \$114.95

## E Accessory Fuse Box

The Accessory Fuse Box allows for the seamless integration and the convenience of operating up to 6 Kawasaki Genuine Accessories from the comfort and confines of your vehicle's cabin • Required for installation of WARN® ProVantage™ Plow Systems and Winches

MULE PRO-FX™ (16-19), MULE PRO-DX™ (16-19)  
Accessory Fuse Box (18-19)..... 99994-1082..... \$329.95  
Accessory Fuse Box (16-17)..... KAF080-076..... \$319.95

FOR THE FULL SELECTION  
OF WARN® WINCHES  
WINCHES CATALOG



### MULE PRO-FX™ SHOWN WITH:

- PLASTIC ROOF
- PLOW (FRAME, MOUNT, BLADE)



APPAREL  
MULE™  
TERRY®  
ATV  
SPOT / DUAL SPORT  
WINCHES  
ESSENTIALS  
INDEX



APPAREL

MULE™

TERRY®

ATV

SPORT / DUAL SPORT

OFFROAD PERFORMANCE

CRUISER

WATERCRAFT

WINCHES

ESSENTIALS

INDEX

## A Front Rack

When on the trail or at the job site, additional storage for essential tools and equipment is important • Add additional easy access storage to your MULE PRO-FX™ / PRO-DX™ side x side with the Front Rack • Mounts to required Brush Guard (99994-0412) and the ROPS • Black powder coated steel construction • Tilts forward for easy access to hood • Multiple tie-down points • 381mm (15") deep x 1,372mm (54") wide flat cargo area dimensions • Brush Guard (99994-0412) required to mount Front Rack • Not compatible with Hard Cab Enclosures, Soft Cab Enclosures, or Flip-Up Polycarbonate Windshield

MULE PRO-FX™ (16-19), MULE PRO-DX™ (16-19)  
Front Rack ..... KAF080-021..... \$569.95

## B Brush Guard

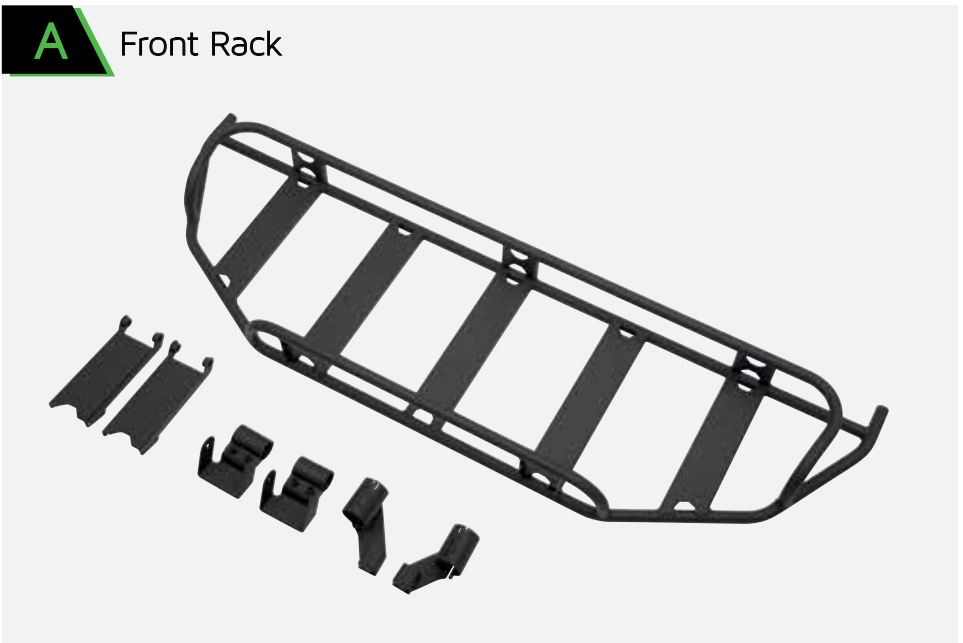
Help add protection and aggressive style to the front of your vehicle with this durable laser cut, formed steel brush guard • Powder coated in textured black to match the stock front bumper for a uniform look • Built-in headlight guards • Mounting tabs for the Kawasaki Genuine LED Light Bar (KAF080-048) • Steel 38mm (1½") diameter tubing / 2.1mm (9/100") wall thickness • Does not interfere with Kawasaki Genuine Winch Mount (99994-0687) or Plow System

Realtree APG-XTRA Camouflage Design ©2012 of Jordon Outdoor Enterprises, Ltd., All Rights Reserved

MULE PRO-FX™ (16-19), MULE PRO-DX™ (16-19)  
Brush Guard ..... 99994-0412..... \$219.95



## A Front Rack



## B Brush Guard



## C Rear Bumper



## D Tail Light Guard Set



## E LED Headlight Set



## F LED Light Bar



## C Rear Bumper

This stylish yet functional accessory adds protection to the rear of your vehicle • Made of durable 48mm (1 7/8") thick steel • Powder coated in textured black to provide a uniform look with stock components • Does not interfere with Tail Light Guard visibility

MULE PRO-FX™ (16-19), MULE PRO-DX™ (16-19)  
Rear Bumper ..... 99994-0413..... \$179.95

## D Tail Light Guard Set

Reduce the risk of damage, and related repairs • Powder coated in textured black to provide a uniform look with stock components • Made of 2.2mm (1/16") thick steel • Some drilling and rivet gun required

MULE PRO-FX™ (16-19), MULE PRO-DX™ (16-19)  
Tail Light Guard Set..... 99994-0424..... \$49.95

## E LED Headlight Set

Add these high output LED Headlights to your base model MULE PRO-FX™ / MULE PRO-DX™ side x side • High/low beam function • Stock component on LE, Realtree® Xtra® Green and Ranch Edition models

MULE PRO-FX™ (16-19), MULE PRO-DX™ (16-19)  
LED Headlight Set..... 99994-1071..... \$375.95

## F LED Light Bar

Work or play, some things need to get done after the sun goes down • 2,200 lumens • Flood and Driving beam patterns available • UV-resistant polycarbonate lens • Rugged solid state LEDs can withstand shock and vibration • Long-lasting LEDs means more time between replacement bulbs • Die-cast aluminum housing helps provide added protection • 12V DC Input • 4 Amp draw • Requires Brush Guard (99994-0412), Accessory Fuse Box (99994-1082) (18) or (KAF080-076) (15-17) and LED Light Bar Harness Kit (KAF080-020) sold separately • LED Light Bar Harness Kit includes switch, wire harness and mounting hardware • SAE J1113 (Class 21) ECE Reg. 10 Compliant

MULE PRO-FX™ (16-19), MULE PRO-DX™ (16-19)  
LED Light Bar ..... KAF080-048..... \$399.95  
LED Light Bar Harness Kit..... KAF080-020..... \$59.95

APPAREL

MULE™

TERRY®

ATV

SPORT / DUAL SPORT

OFFROAD PERFORMANCE

CRUISER

WATERCRAFT

WINCHES

ESSENTIALS

INDEX

**A Skid Plates**

Helps protect your drivetrain and chassis with a durable brushed aluminum Kawasaki Genuine Skid Plate • Made of 4.7mm (3/16") thick 5052 aluminum • Brushed aluminum finish

MULE PRO-FX™ (16-19), MULE PRO-DX™ (16-19)

Front Skid Plate.....	99994-0438.....	\$479.95
Mid Skid Plate.....	99994-0439.....	\$369.95
Rear Skid Plate.....	99994-0512.....	\$399.95

**B CV Joint Guard Set**

While operating your vehicle, these lightweight CV Joint Guards help protect your a-arms, axles, brake-lines and CV Boots • In addition, the full-coverage design adds a custom look to your vehicle • Made of 4.7mm (3/16") thick 5052 aluminum • Brushed aluminum finish

MULE PRO-FX™ (16-19), MULE PRO-DX™ (16-19)

Front CV Joint Guard Set .....	99994-0428.....	\$149.95
Rear CV Joint Guard Set.....	99994-0429.....	\$149.95



**B CV Joint Guard set**





## C Cargo Bed Lift

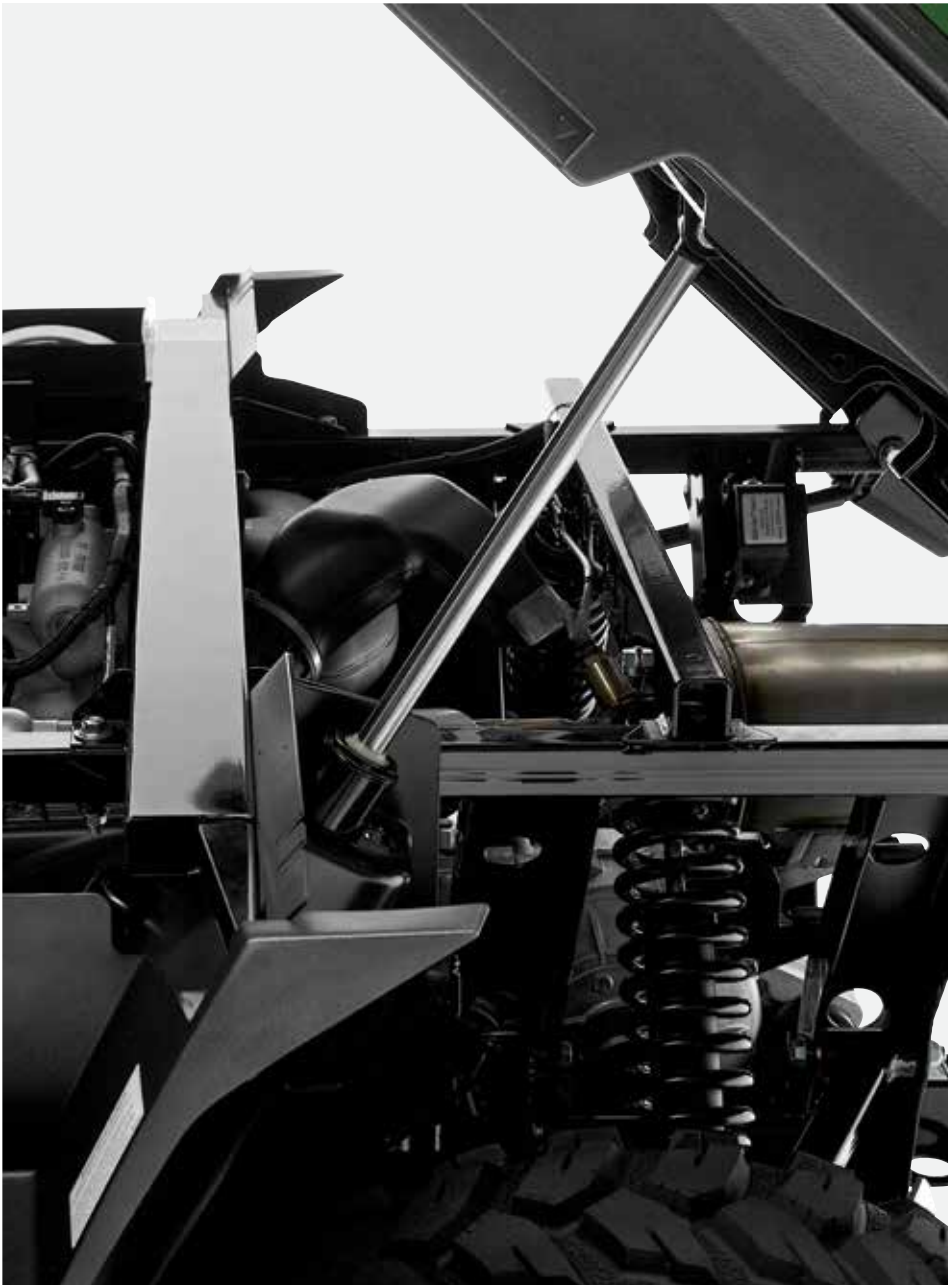


## C Cargo Bed Lift

Raise and lower your cargo bed with a hydraulic Cargo Bed Lift • Self-contained hydraulic system; no hoses, no reservoir to fill or top off, no bleeding process • Durable steel construction

MULE PRO-FX™ (16-19)

Cargo Bed Lift..... KAF080-002.. \$1,029.95



APPAREL

MULE™

TERRY®

ATV

SPORT / DUAL SPORT

OFFROAD PERFORMANCE

CRUISER

WATERCRAFT

WINCHES

ESSENTIALS

INDEX



APPAREL  
MULE™  
TERRY®  
ATV  
SPORT / DUAL SPORT  
OFFROAD PERFORMANCE  
CRUISER  
WATERCRAFT  
WINCHES  
ESSENTIALS  
INDEX

### A Cargo Bed Mat

Help protect your cargo bed base with this tough 4.7mm (3/16") extra thick rubber mat • Extra thick rubber helps prevent cargo from sliding • Reduces sound levels caused from vibration • 4.7mm (3/16") thick black molded rubber

MULE PRO-FX™ (16-19), MULE PRO-DX™ (16-19)  
Cargo Mat, One Piece ..... KAF080-065..... \$180.95

### B Cargo Bed Divider

Roto molded PE plastic panel designed to fit in the slots of the MULE PRO-FX™ / PRO-DX™ side x side bed sides in multiple configurations • Kit includes one panel that divides the bed into two sections for convenient loading • Additional kits can be added to further divide the cargo bed

MULE PRO-FX™ (16-19), MULE PRO-DX™ (16-19)  
Cargo Bed Divider ..... KAF080-037..... \$74.95

### C KQR™ Cargo Bed Extender

Extend your usable cargo space by 203mm (8") with this durable roto-molded plastic Bed Extender • Simply lower the tailgate and attach the extender to the bed rails with two KQR™ clamps • Easily adjust to different cargo sizes by sliding the clamps forward or backward or by reversing the entire Bed Extender to create a divider • Two KQR™ Accessory Mounts included

MULE PRO-FX™ (16-19), MULE PRO-DX™ (16-19)  
KQR™ Cargo Bed Extender ..... KAF080-022..... \$179.95

## A Cargo Bed Mat



## B Cargo Bed Divider



## C KQR™ Cargo Bed Extender



## D KQR™ Cargo Box

-KQR™-



CLOSED

OPENED WITH TOOL TRAY

OPENED

TOOL TRAY

## E KQR™ Accessory Mount

-KQR™-



## G Back-Up Beeper



## F Dual Battery Kit



## H Horn



## D KQR™ Cargo Box

Add storage within your vehicle's cargo bed

- Quickly attaches to either cargo bed rail
- Ample internal storage space for transporting tools, equipment, straps, tie-downs, emergency kits, trail snacks, etc...
- KQR™ Cargo Box measures 356mm (14") L x 356mm (14") W x 432mm (17") H
- Material: Molded LDPE black plastic
- Includes internal tool tray
- Requires qty. 2 KQR™ Accessories Mounts (KAF080-012), sold separately

MULE PRO-FX™ (16-19), MULE PRO-DX™ (16-19)  
 KQR™ Cargo Box..... KAF080-017..... \$84.95  
 KQR™ Accessories Mount..... KAF080-012..... \$19.95

## E KQR™ Accessories Mount

Required for quick-mounting the KQR™ Cargo Box and KQR™ Gun Boot Mount to the vehicle bed and rear cab rail

- Constructed of black anodized aluminum for durability
- Mounts are sold individually
- Refer to each KQR™ accessory for the quantity of mounts required

MULE PRO-FX™ (16-19), MULE PRO-DX™ (16-19)  
 KQR™ Accessories Mount..... KAF080-012..... \$19.95

## F Dual Battery Kit

Not Compatible with 2018-2019 MULE PRO-FXT™ Ranch Edition models

- This kit allows you to maintain two batteries in your vehicle
- The Intelligent Solenoid (IS) manages the charging of both batteries while the vehicle is running and isolates them when the vehicle is off
- This system also allows the second battery to be charged and/or isolated automatically
- Requires Battery (26012-0107), Accessory Fuse Box (KAF080-076), Battery Terminal Cap (11065-0285), Nut (92015-1406) qty 2, Bracket (92072-0128), Bushing (92152-0794) qty 2, Bolt (92151-1788) qty 2, Damper (92161-0578), and Damper (92161-0579) all sold separately

MULE PRO-FX™ (16-19), MULE PRO-DX™ (16-19)  
 Dual Battery Kit..... KAF080-025..... \$415.95

## G Back-Up Beeper

Whether on the job site or the farm, a Back-Up Beeper is a useful addition to alert others that your vehicle is reversing

- Emits 97db
- Product meets O.S.H.A. regulations and SAEJ994 standards
- Black with steel housing
- Wires directly to the reverse switch on the transmission

MULE PRO-FX™ (16-19), MULE PRO-DX™ (16-19)  
 Back-Up Beeper..... KAF080-030..... \$140.95

## H Horn

Install a horn to alert others of your presence while on the job site or the trail

- Mounts internally
- Includes switch

MULE PRO-FX™ (16-19), MULE PRO-DX™ (16-19)  
 Horn..... 99994-0455..... \$39.95

APPAREL

MULE™

TERRY®

ATV

SPORT / DUAL SPORT

OFFROAD PERFORMANCE

CRUISER

WATERCRAFT

WINCHES

ESSENTIALS

INDEX



## A Hitch Components

Heavy duty 51mm (2") steel Hitch Drawbar with welded gusset • Hitch Pin and clip included with Hitch Drawbar and also sold separately • 48mm (1 7/8") Hitch Ball with 19mm (3/4") diameter shank, and 51mm (2") Hitch Ball with 19mm (3/4") diameter available • When using Hitch Balls with a 19mm (3/4") shank, a Reducer Bushing (TRL36A) is required

MULE PRO-FX™ (16-19), MULE PRO-DX™ (16-19)	
2" Hitch Drawbar, 4" Drop .....	TX750-015..... \$36.95
Chrome Hitch Ball, 2" .....	KAF136..... \$16.95
Chrome Hitch Ball, 1 7/8" .....	KAF127..... \$17.95
Hitch Pin, 5/8" .....	TLR39..... \$8.95
Reducer Bushing .....	TLR36A..... \$14.95

## B Block Heater

The diesel Block Heater provides heat to the engine for easier starting in extreme cold • Keeps engine warm in cold temperatures • Helps reduce cold start engine damage • Simple to install • Efficient way to pre-heat your engine • Plugs into household 110V outlet • Includes all mounting hardware and wiring

MULE PRO-DX™ (16-19)	
Block Heater .....	99994-0741..... \$159.95

## C Seat Cover

Black - Help protect your bench seat with these seat covers • Quick installation • Made from heavy black canvas • Features an elastic band along the cover's edge • O.E.M. quality fit • Caution: One seat top cover and one backrest cover included • Two kits required to outfit both front and rear bench seat

Realtree® Xtra® Green - Help protect your front and rear bench seats from the hunt while blending into your surroundings with these color-matched Realtree® Xtra® Green Seat Covers • Quick installation • Made from heavy Realtree® Xtra® Green canvas • Features an elastic band along the cover's edge • O.E.M. quality fit • Caution: One seat top cover and one backrest cover included • Two kits required to outfit both front and rear bench seat

Realtree APG-XTRA Camouflage Design ©2012 of Jordon Outdoor Enterprises, Ltd., All Rights Reserved

MULE PRO-FX™ (16-19), MULE PRO-DX™ (16-19)	
Black .....	99994-1151..... \$83.95
Realtree® Xtra® Green .....	KAF080-039..... \$76.95

## A Hitch Components



## B Block Heater



## C Seat Cover (Black)



## C Seat Cover (Realtree® Xtra® Green)



**D Storage Cover**

Help protect your vehicle during storage with this premium cover • Durable gray polyester fabric • UV resistant to prevent fading • Features silk screened Kawasaki logo for a O.E.M. appearance

Remove for towing or use an enclosed trailer when transporting a vehicle with a Storage Cover installed

MULE PRO-FX™ (16-19), MULE PRO-DX™ (16-19)  
Storage Cover ..... KAF080-073A..... \$249.95

**D Storage Cover**





APPAREL

MULE™

TERRY®

ATV

SPORT / DUAL SPORT

OFFROAD PERFORMANCE

CRUISER

WATERCRAFT

WINCHES

ESSENTIALS

INDEX

### A Utility Package

The MULE PRO-FX™ Utility Package includes the following accessories: Plastic Roof (99994-0571), Horn (99994-0455), Rear Bumper (99994-0413), Seat Cover, Black (99994-1151), Rear View Mirror (TX750-077), Cargo Bed Divider (KAF080-037), 2" Hitch Drawbar, 4" Drop (TX750-015), Chrome Hitch Ball 2" (KAF136), Reducer Bushing (TLR36A)

MULE PRO-FX™ (16-19), MULE PRO-DX™ (16-19)  
Utility Package ..... 99969-3761..... \$686.95

### B Open Range Package

The MULE PRO-FX™ Open Range Package includes the following accessories: KQR™ Full Windshield Plastic (KAF080-001), Plastic Roof (99994-0571), LED Light Bar (KAF080-048), LED Light Bar Harness & Bracket Kit (KAF080-020), Brush Guard (99994-0412), Rear Bumper (99994-0413), Tail Light Guard Set (99994-0424), Front Floor Mat (KAF080-033), KQR™ Cargo Box (KAF080-017), 2 KQR™ Accessory Mounts (KAF080-012), Accessory Fuse Box (KAF080-076), 2" Hitch Drawbar, 4" Drop (TX750-015), Chrome Hitch Bar 2" (KAF136), Reducer Bushing (TLR36A)

MULE PRO-FX™ (16-19), MULE PRO-DX™ (16-19)  
Open Range Package ..... 99969-3762.. \$2,098.95

### A Utility Package



### B Open Range Package



## C Adventure Package



### C Adventure Package

The MULE PRO-FX™ Adventure Package includes the following accessories: KQR™ Half Windshield (KAF080-027), Plastic Roof (99994-0571), Brush Guard (99994-0412), Rear Bumper (99994-0413), Front CV Joint Guard Set (99994-0428), Rear CV Joint Guard Set (99994-0429), Rearview Mirror (TX750-077), Winch Mount Kit (99994-0687), Accessory Fuse Box (KAF080-076) & WARN® Vantage™ 4000 Winch (KAF080-052)

WARN®, the WARN logo and THE RED HOOK STRAP are registered trademarks of Warn Industries, Inc. ProVantage™ and Vantage™ are trademarks of Warn Industries, Inc.

MULE PRO-FX™ (16-19), MULE PRO-DX™ (16-19)  
Adventure Package..... 99969-3763.. \$1,788.95

### D Sportsman Package

The MULE PRO-FX™ Sportsman Package includes the following accessories: KQR™ Full Windshield, Plastic (KAF080-001), Soft Cab Enclosure Roof and Back, Realtree® Xtra® Green (KAF080-069), Soft Cab Enclosure Door Set, Realtree® Xtra® Green (KAF080-070), Seat Cover, Realtree® Xtra® Green (KAF080-039), & Brush Guard (99994-0412)

Realtree APG-XTRA Camouflage Design ©2012 of Jordon Outdoor Enterprises, Ltd., All Rights Reserved

MULE PRO-FX™ (16-19), MULE PRO-DX™ (16-19)  
Sportsman Package ..... 99969-3764.. \$1,384.95



## D Sportsman Package



APPAREL

MULE™

TERYX®

ATV

SPORT / DUAL SPORT

OFFROAD PERFORMANCE

CRUISER

WATERCRAFT

WINCHES

ESSENTIALS

INDEX

# Kawasaki

2" Hitch Drawbar, 2" Drop .....	KAF138 .....	90
Back-Up Beeper, Gas Models .....	KAFT4-015 .....	90
Beacon Strobe Light .....	KAF102 .....	82
Brush Guard .....	KAF40-016 .....	87
Cab Cooling/Defrost Fan .....	KAF125 .....	83
Cargo Bed Lift .....	KAF40T-009 .....	89
Cargo Bed Liner .....	KAFT4-017S .....	89
Cargo Bed Mat .....	KAFT4-010 .....	89
Chrome Hitch Ball, 1 7/8" .....	KAF127 .....	90
Chrome Hitch Ball, 2" .....	KAF136 .....	90
CV Joint Guard Set, Front .....	KAF25-049 .....	88
Draft Barrier .....	KAF40-021 .....	83
Enter/Exit Grab Handle .....	KAF00-018 .....	90
Fixed Windshield .....	KAF40-020 .....	85
Flip-Up Windshield .....	KAF40T-008 .....	85
Floor Mat, Front .....	KAFT4-013 .....	83
Floor Mat, Rear .....	KAF40T-007 .....	83
Front Cab Structure .....	KAF40T-001BA .....	81
Front Heavy-Duty Spring .....	92144-1919 .....	81
Gas Spring Door Controller Set .....	KAF30-010 .....	82
Glass Windshield Replacement		
Gas Shock Mount .....	K44-0007R .....	82
Headlight Guard Set .....	KAF40-015 .....	87
Heater .....	KAF40-019 .....	83
Hitch Pin 5/8" .....	TLR39 .....	90
Plastic Roof .....	99994-0766 .....	84
Plow Frame .....	KW79805 .....	86
Plow Blade .....	KW79958 .....	86
Plow Mount .....	KW90480 .....	86
Rear Bumper .....	KAF40-018 .....	95
Rear Cab Structure .....	KAF40T-002BA .....	81
Rear Skid Plate .....	KAF30-035 .....	88
Reducer Bushing .....	TLR36A .....	90
Seat Cover		
Black .....	99994-1148 .....	89
Realtree® Xtra® Green .....	KAFT4-019RTX .....	89
Slow Moving Vehicle Sign .....	KAF00-015 .....	90
Soft Door Set, Front,		
Super Black .....	KAF40T-005BLK .....	81
Woodsman Green .....	KAF40T-005G .....	81
Soft Door Set, Rear,		
Super Black .....	KAF40T-006BLK .....	81
Woodsman Green .....	KAF40T-006G .....	81
Soft Roof, Black (09-17) .....	KAFT4-007B .....	84
Soft Roof,		
Realtree® Xtra® Green (15-17) .....	KAFT4-007RTX .....	84
Speedometer/Odometer .....	99999-0241 .....	82
Steel Door Set, Front, Super Black .....	KAF40T-003BLK .....	81
Steel Door Set, Rear, Super Black .....	KAF40T-004BLK .....	81
Steel Roof .....	KAFT4-016B .....	84
Storage Cover .....	KAFT4-018 .....	90
Switch Box .....	KAF00-001A .....	83
Tail Light Guard Set .....	KAF-105A .....	87
Universal Ignition Switch .....	27005-0644 .....	82
Windshield Washer .....	KAF81A .....	82
Windshield Wiper .....	KAF30-012 .....	82

Realtree APG-XTRA Camouflage Design ©2012 of Jordon Outdoor Enterprises, Ltd.,  
All Rights Reserved





# MULE<sup>®</sup> 4010 Trans4x4<sup>®</sup>

# MULE<sup>®</sup> 4000 Trans<sup>™</sup>



APPAREL

MULE<sup>™</sup>

TERYX<sup>®</sup>

ATV

SPORT / DUAL SPORT

OFFROAD PERFORMANCE

CRUISER

WATERCRAFT

WINCHES

ESSENTIALS

INDEX

# MULE® 4010 Trans4x4® MULE® 4000 Trans™

## A Front Cab Structure

Front section only, fully encloses driver and front passenger seats • Rear (back seat) section sold separately • Includes color matched soft rear panel and window, front roof section • Safety glass windshield included • Choose from Steel Doors or Soft Doors, sold separately • Optional Heater (KAF40-019), and Windshield Wiper Kit (KAF30-012), sold separately • Requires 2 Front Heavy-Duty Springs (92144-1919)

WARN®, the WARN logo and THE RED HOOK STRAP are registered trademarks of Warn Industries, Inc. ProVantage™ and Vantage™ are trademarks of Warn Industries, Inc.

MULE™ 4010 Trans4x4® (09-19), MULE 4000 Trans™ (18-19)  
Front Cab Structure ..... KAF40T-001BA.. \$2,799.95

## A Rear Cab Structure

Rear section only, extends enclosure to rear seat area • Requires front cab section • Includes rear roof section • Choose from Steel Doors or Soft Doors, Heater (KAF40-019), and Windshield Wiper Kit (KAF30-012), sold separately

MULE™ 4010 Trans4x4® (09-19), MULE 4000 Trans™ (18-19)  
Rear Cab Structure..... KAF40T-002BA.. \$1,499.95

## Steel Door Set

Door construction utilizes tubular steel frame design combined with high strength powder coated sheet metal • Rotary door latches with key locks

• Sliding safety glass side windows • Requires Cab Structure (KAF40T-001BA and KAF40T-002A)

\* Item Not Shown \*

MULE™ 4010 Trans4x4® (09-19), MULE 4000 Trans™ (18-19)  
Steel Door Set,  
Front, Super Black..... KAF40T-003BLK.. \$1,459.95  
Steel Door Set,  
Rear, Super Black ..... KAF40T-004BLK.. \$1,385.95

## B Soft Door Set

Door construction utilizes tubular steel frame design combined with long lasting UV resistant vinyl fabric • Rotary door latches with key locks • Flexible vinyl side windows • Requires Cab Structure (KAF40T-001BA and KAF40T-002A)

MULE™ 4010 Trans4x4® (09-19), MULE 4000 Trans™ (18-19)  
Soft Door Set,  
Front, Super Black..... KAF40T-005BLK.. \$1,365.95  
Soft Door Set,  
Front, Woodsman Green ..... KAF40T-005G..... \$769.95  
Soft Door Set,  
Rear, Super Black ..... KAF40T-006BLK..... \$929.95  
Soft Door Set,  
Rear, Woodsman Green ..... KAF40T-006G..... \$769.95

## C Front Heavy-Duty Spring

Use when a cab or plow blade is installed • Replaces standard front spring • Helps prevent suspension from bottoming on large bumps • Increases vehicle ride height • Overall length is slightly shorter than original spring due to stronger spring rate • Package quantity 1, order 2 springs per vehicle

MULE™ 4010 Trans4x4® (09-19), MULE 4000 Trans™ (18-19)  
Front Heavy-Duty Spring ..... 92144-1919..... \$52.35

## A Front Cab Structure / Rear Cab Structure



## B Soft Door Set



## C Front Heavy Duty Spring



## D Beacon Strobe Light



## E Speedometer / Odometer



# MULE<sup>®</sup> 4010 Trans4x4<sup>®</sup> MULE<sup>®</sup> 4000 Trans<sup>™</sup>

### D Beacon Strobe Light

Provides a brilliant amber flashing light during vehicle operation • A true strobe light with low current requirements (0.4 Amps)

MULE<sup>™</sup> 4010 Trans4x4<sup>®</sup> (09-19), MULE 4000 Trans<sup>™</sup> (18-19)  
Beacon Strobe Light .....KAF102..... \$175.95

### E Speedometer/Odometer

Industrial quality speedometer • Includes odometer • Mounts behind the dashboard with hidden bracket, face shows through "knockout" hole • All necessary installation hardware included

MULE<sup>™</sup> 4010 Trans4x4<sup>®</sup> (09-19), MULE 4000 Trans<sup>™</sup> (18-19)  
Speedometer/Odometer ..... 99999-0241..... \$180.95

### F Windshield Wiper

508mm (20") Flex Blade • 110° sweep • Adjustable blade operating height • For use on Cab Structures glass windshield only • Will not work on Fixed (KAF40T-008) or Flip-Up Windshields (KAF40T-020)

MULE<sup>™</sup> 4010 Trans4x4<sup>®</sup> (09-19), MULE 4000 Trans<sup>™</sup> (18-19)  
Windshield Wiper..... KAF30-012..... \$219.95

## F Windshield Wiper

## G Windshield Washer



### G Windshield Washer

Flexible plastic container for cleaning solution • Pumps fluid to nozzles • Wiper removes fluid and residue • Not for use on polycarbonate windshields • Windshield Wiper (KAF30-012), sold separately

MULE<sup>™</sup> 4010 Trans4x4<sup>®</sup> (09-19), MULE 4000 Trans<sup>™</sup> (18-19)  
Windshield Washer ..... KAF81A ..... \$90.95



### H Universal Ignition Switch

The Universal Ignition Switch allows the use of one key for many different vehicles • Simply replace the stock ignition switch with the Universal Ignition Switch in all of the vehicles with which you would like to use the same key

MULE<sup>™</sup> 4010 Trans4x4<sup>®</sup> (09-19), MULE 4000 Trans<sup>™</sup> (18-19)  
Universal Ignition Switch..... 27005-0625..... \$55.95

## H Universal Ignition Switch

## I Gas Spring Door Controller Set



### I Gas Spring Door Controller Set

For use with steel doors only • Gas pressurized controller holds door in place • Eliminates cable door stops

MULE<sup>™</sup> 4010 Trans4x4<sup>®</sup> (09-19), MULE 4000 Trans<sup>™</sup> (18-19)  
Gas Spring Door Controller Set..... KAF30-010..... \$89.95



### Glass Windshield Replacement Gas Shock Mount

Replacement gas shock mount for the glass windshield in MULE<sup>™</sup> side x side cab structures \* Item Not Shown \*

MULE<sup>™</sup> 4010 Trans4x4<sup>®</sup> (09-19), MULE 4000 Trans<sup>™</sup> (18-19)  
Glass Windshield Replacement  
Gas Shock Mount.....K44-0007R..... \$35.95

APPAREL

MULE<sup>™</sup>

TERRY<sup>®</sup>

ATV

SPORT / DUAL SPORT

OFFROAD PERFORMANCE

CRUISER

WATERCRAFT

WINCHES

ESSENTIALS

INDEX

# MULE® 4010 Trans4x4® MULE® 4000 Trans™

## A Cab Cooling/Defrost Fan

Dual-purpose fan that can be used for cooling in warmer temperatures and defrosting windshields during colder months

MULE™ 4010 Trans4x4® (09-19), MULE 4000 Trans™ (18-19)  
 Cab Cooling/Defrost Fan.....KAF125..... \$149.95

## B Heater

Utilizes heat from the liquid engine cooling system  
 • 2-speed blower • For use with either gas or diesel MULE™ side x side

MULE™ 4010 Trans4x4® (09-19), MULE 4000 Trans™ (18-19)  
 Heater ..... KAF40-019..... \$469.95

## C Switch Box

Organize accessory controls and simplify installation with this electrical switch panel and fuse block kit

• Six accessory circuits with easy connect terminals on the back of the box • Each circuit has an individual lighted switch on the front panel • A single 12V supply wire provides current for all accessories • Labels are provided for all common accessories

MULE™ 4010 Trans4x4® (09-19), MULE 4000 Trans™ (18-19)  
 Switch Box..... KAF00-001A..... \$279.95

## D Draft Barrier

For use in combination with Hard Cab Enclosure  
 • Helps provide additional protection from dust, wind and cold air that can enter from under the dash area

MULE™ 4010 Trans4x4® (09-19), MULE 4000 Trans™ (18-19)  
 Draft Barrier ..... KAF40-021..... \$130.95

## E Floor Mats

Tough 7.9mm (5/16") extra thick rubber • Reduces sound levels • MULE™ logo in center of mat

MULE™ 4010 Trans4x4® (09-19), MULE 4000 Trans™ (18-19)  
 Front Floor Mat..... KAFT4-013..... \$115.95  
 Rear Floor Mat ..... KAF40T-007..... \$103.95



## F Steel Roof



# MULE<sup>®</sup> 4010 Trans4x4<sup>®</sup> MULE<sup>®</sup> 4000 Trans<sup>™</sup>

## F Steel Roof

This steel roof helps provide excellent protection from the weather • All steel materials make this top very durable • Installs on top of cab frame • The rear section is equipped with gas springs and lifts for vehicle transformation

MULE<sup>™</sup> 4010 Trans4x4<sup>®</sup> (09-19), MULE 4000 Trans<sup>™</sup> (18-19)  
Steel Roof..... KAF4-016B..... \$779.95

## G Plastic Roof

This semi-rigid Plastic Roof helps offer passenger protection from harsh weather and sun • Integrated rear hinge to allow for operation of your tilt bed  
• Contoured lightweight design for added style  
• Made from semi-rigid black textured plastic • Can be used alone or with Fixed Windshield (KAF40-020) or Flip-Up Windshield (KAF40T-008)

Remove for towing or use an enclosed trailer when transporting a vehicle with a Plastic Roof installed

MULE<sup>™</sup> 4010 Trans4x4<sup>®</sup> (09-19), MULE 4000 Trans<sup>™</sup> (18-19)  
Plastic Roof ..... 99994-0766..... \$405.95

## G Plastic Roof



## H Soft Roof

Helps provide shade and weather protection  
• Durable, weatherproof, 18 oz. fiber-reinforced PVC-laminate material • Installs easily with adjustable straps • Includes fiberglass support rod to shape peak • Can be used alone or with Fixed Windshield (KAF40-020) or Flip-Up Windshield (KAF40T-008)

Remove for towing or use an enclosed trailer when transporting a vehicle with a Soft Roof installed at speeds of over 25 mph

MULE<sup>™</sup> 4010 Trans4x4<sup>®</sup> (09-19), MULE 4000 Trans<sup>™</sup> (18-19)  
Black (09-19)..... KAF4-007B..... \$119.95  
Realtree<sup>®</sup> Xtra<sup>®</sup> Green (15-19) ..... KAF4-007RTX..... \$135.95

## H Soft Roof



# MULE® 4010 Trans4x4® MULE® 4000 Trans™

## A Fixed Windshield

Attractive rounded profile • Hard-coated polycarbonate for scratch resistance • Lightly tinted to reduce glare • Clear flexible skirt allows full opening of storage compartment • Secured by metal clamps and frames • Use alone or with roof

Remove for towing or use an enclosed trailer when transporting a vehicle with a Fixed Windshield installed at speeds over 25 mph.

MULE™ 4010 Trans4x4® (09-19), MULE 4000 Trans™ (18-19)  
Fixed Windshield..... KAF40-020 ..... \$459.95

## B Flip-Up Windshield

Seamless one-piece polycarbonate design  
• Special brackets for installation on Mule™ 4010 Trans4x4® vehicles • Allows full opening of storage compartment • Durable and attractive domed shape  
• Two position latching - fully closed and vented  
• Works with hard or soft roofs • Operating assist with gas springs

Remove for towing or use an enclosed trailer when transporting a vehicle with a Flip-Up Windshield installed at speeds over 25 mph.

MULE™ 4010 Trans4x4® (09-19), MULE 4000 Trans™ (18-19)  
Flip-Up Windshield..... KAF40T-008..... \$734.95

## A Fixed Windshield

**-FIXED-**



## B Flip-Up Windshield



**WARN** FOR THE FULL SELECTION OF WARN® WINCHES WINCHES CATALOG



**Warn® ProVantage™ Front Mount Plow**

Increase the capabilities of your MULE™ 4010 Trans4x4® or MULE™ 4010 Trans4x4® Diesel side x side by adding a WARN® ProVantage™ Front Mount Plow. Designed specifically for your MULE™ side x side, this plow features an easy-to-use rapid connection system. With this system, you can plow away unwanted material, disconnect the plow with ease and free your MULE™ for other applications.

For a complete kit, order the following items:  
 Plow Mount KW90480  
 Plow Frame KW79805  
 Plow Blade KW79958  
 Winch Mount KAF40-014A

And your choice of winch:  
 3500S KW90387  
 3500 KW90386  
 2500S KW90383  
 2500 KW90382  
 3000S KW90385  
 3000 KW90384  
 2000S KW90381  
 2000 KW90380  
 See Winch catalog for description.

WARN®, the WARN logo and THE RED HOOK STRAP are registered trademarks of Warn Industries, Inc. ProVantage™ and Vantage™ are trademarks of Warn Industries, Inc.

**C** Plow Blade

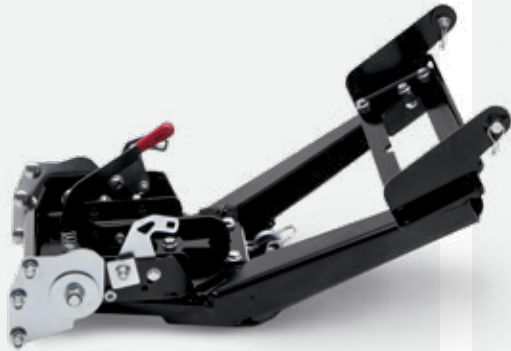


**C** Plow Blade

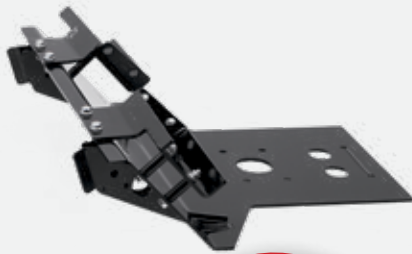
Made from thick 12-gauge steel with heavy-duty ribbing and a center cross member for added rigidity • Boxed design adds extra support • Special low-friction powdercoated finish helps keep material from sticking to the blade • 72" wide allowing you to move a large amount of material decreasing your time spent plowing

MULE™ 4010 Trans4x4® (13-19), MULE 4000 Trans™ (18-19)  
 Plow Blade .....KW79958..... \$389.95

**D** Plow Frame



**E** Plow Mount



**D** Plow Frame

The WARN® Plow Frame assembly features an extra wide design for increased stability and durability, a forward trip system, and an interlocked rotating base plate • Designed for great strength, outstanding durability, and excellent impact resistance • 5 point adjustment system (30°, 15°, 0°, -15°, -30°) offers a solution for a wide range of plowing scenarios

MULE™ 4010 Trans4x4® (13-19), MULE 4000 Trans™ (18-19)  
 Plow Frame .....KW79805..... \$369.95

**E** Plow Mount

All new 3-step rapid connection system featuring a self-locating pin allows you to remove the Plow Blade (KW79958) and Base quickly leaving behind a small part of the mount that does not affect ground clearance • Mount is located at the front of the vehicle so there is no need to crawl under your MULE™ side x side

MULE™ 4010 Trans4x4® (09-19), MULE 4000 Trans™ (18-19)  
 Plow Mount .....KW90480..... \$359.95



APPEAL  
 MULE™  
 TERYX®  
 ATV  
 SPORT / DUAL SPORT  
 OFFROAD PERFORMANCE  
 CRUISER  
 WATERCRAFT  
 WINCHES  
 ESSENTIALS  
 INDEX

# MULE® 4010 Trans4x4® MULE® 4000 Trans™

## A Headlight Guard Set

Tubular steel guards help protect the headlights from accidental damage • Black powder coat finish  
 MULE™ 4010 Trans4x4® (09-19), MULE 4000 Trans™ (18-19)  
 Headlight Guard Set..... KAF40-015..... \$99.95

## B Tail Light Guard Set

Tubular steel guards help protect the tail lights from accidental damage • Black powder coat finish  
 MULE™ 4010 Trans4x4® (13-19), MULE 4000 Trans™ (18-19)  
 Tail Light Guard Set..... KAF-105A..... \$91.95

## C Brush Guard

Made from 38mm (1½”) steel tubing with 2.1mm (.083”) wall thickness for super tough protection  
 • Four widely separated mount points for extreme rigidity • Fits with Plow installed • Does not interfere with winch mounting or use • Self-locking hardware  
 MULE™ 4010 Trans4x4® (09-19), MULE 4000 Trans™ (18-19)  
 Brush Guard..... KAF40-016..... \$249.95



**B** Tail Light Guard Set

**C** Brush Guard



**E** Front CV Joint Guard Set



**F** Rear Skid Plate



**MULE<sup>®</sup> 4010 Trans4x4<sup>®</sup>**  
**MULE<sup>®</sup> 4000 Trans<sup>™</sup>**

**D** CV Joint Guard Set

Metal covers help protect front drive shaft boots from damage • Rear not applicable on Diesel units  
 MULE<sup>™</sup> 4010 Trans4x4<sup>®</sup> (09-19), MULE 4000 Trans<sup>™</sup> (18-19)  
 Front CV Joint Guard Set ..... KAF25-049..... \$99.95

**E** Rear Skid Plate

Helps provide protection for engine and transmission cover • Provides protection for electrical cover on right side of gasoline units  
 MULE<sup>™</sup> 4010 Trans4x4<sup>®</sup> (09-19), MULE 4000 Trans<sup>™</sup> (18-19)  
 Rear Skid Plate ..... KAF30-035..... \$205.95

APPAREL

MULE<sup>™</sup>

TERRY<sup>®</sup>

ATV

SPORT / DUAL SPORT

OFFROAD PERFORMANCE

CRUISER

WATERCRAFT

WINCHES

ESSENTIALS

INDEX

# MULE<sup>®</sup> 4010 Trans4x4<sup>®</sup> MULE<sup>®</sup> 4000 Trans™

## A Cargo Bed Lift

Raise and lower the cargo bed with hydraulic power by Kayaba • Self-contained hydraulics: no hoses, no reservoir to fill or top off, no bleeding process • Simple installation, no arms or levers • No exhaust pipes to change • Weight capacity 400 lbs. • Does not fit diesel models

MULE™ 4010 Trans4x4® (09-19), MULE 4000 Trans™ (18-19)  
Cargo Bed Lift..... KAF40T-009..... \$998.95

## A Cargo Bed Lift



## B Cargo Bed Mat

Tough 7.9mm (5/16") extra thick rubber protects cargo and bed surface • Consists of two mats that are adjusted according to bed configuration • Prevents cargo from sliding • Reduces sound levels • MULE™ logo in the center of mat

MULE™ 4010 Trans4x4® (09-19), MULE 4000 Trans™ (18-19)  
Cargo Bed Mat..... KAFT4-010..... \$86.95

## B Cargo Bed Mat



## C Cargo Bed Liner

## C Cargo Bed Liner

Helps protect the cargo box and tailgate of your MULE™ side x side with this durable bed liner • The unique design of this bed liner includes 152mm (6") L x 51mm (2") W divider notches to compartmentalize the bed • Matching cover for tailgate • Slip-resistant bed liner features a treatment that increases surface friction to help prevent cargo from sliding

MULE™ 4010 Trans4x4® (09-19), MULE 4000 Trans™ (18-19)  
Cargo Bed Liner..... KAFT4-017S..... \$249.95



## D Seat Cover

Black - Help protect your bench seat with these seat covers • Quick installation • Made from heavy black canvas • Features an elastic band along the cover's edge • O.E.M. quality fit • Set includes top and back covers for both front and rear seats

Realtree® Xtra® Green - Help protect your front and rear bench seats from the hunt while blending into your surroundings with these color-matched Realtree® Xtra® Green Seat Covers • Quick installation • Made from heavy Realtree® Xtra® Green canvas • Features an elastic band along the cover's edge • O.E.M. quality fit • Set includes top and back covers for both front and rear seats

Realtree APG-XTRA Camouflage Design ©2012 of Jordon Outdoor Enterprises, Ltd., All Rights Reserved

MULE™ 4010 Trans4x4® (09-19), MULE 4000 Trans™ (18-19)  
Black..... 99994-1148..... \$175.95  
Realtree® Xtra® Green..... KAFT4-019RTX..... \$165.95

## D Seat Cover (Realtree® Xtra® Green)



## D Seat Cover (Black)



## E Slow Moving Vehicle Sign



## F Enter / Exit Grab Handle



# MULE<sup>®</sup> 4010 Trans4x4<sup>®</sup> MULE<sup>®</sup> 4000 Trans<sup>™</sup>

## E Slow Moving Vehicle Sign

Check your local laws before use

MULE<sup>™</sup> 4010 Trans4x4<sup>®</sup> (09-19), MULE 4000 Trans<sup>™</sup> (18-19)  
Slow Moving Vehicle Sign ..... KAF00-015..... \$24.95

## F Enter/Exit Grab Handle

Facilitates entry and exit, especially with windshields or cabs installed • Heavy-duty soft-radius plastic handles • Universally mount on driver or passenger side

MULE<sup>™</sup> 4010 Trans4x4<sup>®</sup> (09-19), MULE 4000 Trans<sup>™</sup> (18-19)  
Enter/Exit Grab Handle ..... KAF00-018..... \$36.95

## G Back-Up Beeper

Whether on the job site or the farm, this beeper automatically activates a loud beep when put into reverse • Includes all required parts

MULE<sup>™</sup> 4010 Trans4x4<sup>®</sup> (09-19), MULE 4000 Trans<sup>™</sup> (18-19)  
Back-Up Beeper ..... KAF4-015..... \$129.95

## G Back-Up Beeper



## H Hitch Components



## H 2" Hitch Components

51mm (2") square receiver hitch ball mount meets the MULE<sup>™</sup> (13-17) dimensional requirements

• Black powder coated finish • Order hitch ball separately • Reducer Bushing decreases hole size of hitch Drawbar from 25mm (1") to 19mm (3/4") and is required for use with (KAF138) Drawbar when used with (KAF127) or (KAF136) hitch balls • 51mm (2") drop

MULE<sup>™</sup> 4010 Trans4x4<sup>®</sup> (09-19), MULE 4000 Trans<sup>™</sup> (18-19)  
2" Hitch Drawbar, 2" Drop ..... KAF138..... \$44.95  
Chrome Hitch Ball, 2" ..... KAF136..... \$16.95  
Chrome Hitch Ball, 1 7/8" ..... KAF127..... \$17.95  
Hitch Pin 7/8" ..... TLR39..... \$8.95  
Reducer Bushing ..... TLR36A..... \$14.95

## I Storage Cover

Durable polyester fabric resists UV damage

• Silkscreened Kawasaki logo • Intended for indoor/outdoor storage

Remove for towing or use an enclosed trailer when transporting a vehicle with a Storage Cover installed

MULE<sup>™</sup> 4010 Trans4x4<sup>®</sup> (09-19), MULE 4000 Trans<sup>™</sup> (18-19)  
Storage Cover ..... KAF4-018A..... \$249.95

## I Storage Cover



APPAREL

MULE<sup>™</sup>

TERRY<sup>®</sup>

ATV

SPORT / DUAL SPORT

OFFROAD PERFORMANCE

CRUISER

WATERCRAFT

WINCHES

ESSENTIALS

INDEX

# Kawasaki

2" Hitch Drawbar, 2" Drop .....	KAF138 .....	104
Alternator Kit .....	99999-0283 .....	103
Back-Up Beeper, Gas Models .....	KAFT4-015 .....	103
Beacon Strobe Light .....	KAF102 .....	94
Brush Guard .....	KAF40-016 .....	99
Cab Cooling/Defrost Fan.....	KAF125 .....	95
Cargo Bed Lift.....	KAF40-013 .....	101
Cargo Bed Mat.....	KAF25-023 .....	102
Cargo Bed Rail Set.....	KAF40-017 .....	102
Cargo Bed Tonneau Cover.....	KAF40-010 .....	102
Chrome Hitch Ball, 1 7/8" .....	KAF127 .....	104
Chrome Hitch Ball, 2" .....	KAF136 .....	104
CV Joint Guard Set, Front .....	KAF25-049 .....	100
CV Joint Guard Set, Rear.....	KAF30-036 .....	100
Draft Barrier .....	KAF40-021 .....	95
Enter/Exit Grab Handle .....	KAF00-018 .....	103
Fixed Windshield.....	KAF40-020 .....	97
Flip-Up Windshield.....	KAF40-012 .....	97
Floor Mat.....	KAFT4-013 .....	95
Front Heavy-Duty Spring .....	92144-1919 .....	93
Gas Spring Door Controller Set.....	KAF30-010 .....	94
Glass Windshield Replacement		
Gas Shock Mount.....	K44-0007R .....	94
Hard Cab Enclosure .....	KAF40-005BA .....	93
Headlight Guard Set .....	KAF40-015 .....	99
Heater .....	KAF40-019 .....	95
Hitch Pin, 5/8" .....	TLR39 .....	104
Plastic Roof .....	KAF30-030A .....	97
Plow Frame .....	KW79805 .....	98
Plow Blade .....	KW79958 .....	98
Plow Mount .....	KW90480 .....	98
Rear Skid Plate .....	KAF30-035 .....	100
Reducer Bushing .....	TLR36A .....	104
Seat Cover, Black .....	99994-1152 .....	101
Seat Cover,		
Realtree® Xtra® Green .....	KAF30-037RTX .....	101
Slip-Resistant Cargo Bed Liner .....	KAF40-023 .....	102
Slow Moving Vehicle Sign.....	KAF00-015 .....	103
Soft Cab Enclosure .....	KAF40-024 .....	96
Soft Door Set,		
Super Black .....	KAF40T-005BLK .....	93
Woodsmen Green (09, 11-12, 14) .....	KAF40T-005G .....	93
Speedometer/Odometer .....	99999-0242 .....	94
Standard Cargo Bed Liner .....	KAF40-022 .....	102
Steel Door Set, Super Black.....	KAF40T-003BLK .....	93
Storage Cover .....	KAF25-016C .....	104
Switch Box.....	KAF00-001A .....	95
Tail Light Guard Set.....	KAF-105A .....	99
Universal Ignition Switch.....	27005-0625 .....	94
Winch Mount.....	KAF40-014A .....	99
Windshield Washer .....	KAF81A .....	94
Windshield Wiper.....	KAF30-012 .....	94



# MULE<sup>®</sup> 4010 4x4 DIESEL MULE<sup>®</sup> 4010 4x4 MULE<sup>®</sup> 4000



APPAREL

MULE™

TERRY®

ATV

SPORT / DUAL SPORT

OFFROAD PERFORMANCE

CRUISER

WATERCRAFT

WINCHES

ESSENTIALS

INDEX

**MULE® 4010 4x4**  
**MULE® 4010 4x4**  
**MULE® 4000**

**A Hard Cab Enclosure**

Unitized construction for easy installation • Safety glass windshield included • Hard acrylic plastic side and rear windows • Choose from Steel Doors (KAF40T-003BLK) or Soft Doors (KAF40T-005BLK or KAF40T-005G), sold separately • Optional Heater (KAF40-019) and Windshield Wiper Kit (KAF30-012), sold separately • Requires 2 Front Heavy-Duty Springs (92144-1919)

Use an enclosed trailer when transporting a vehicle with a Hard Cab Enclosure installed  
 MULE™ 4000/4010 4x4 (09-19)  
 Hard Cab Enclosure .....KAF40-005BA.. \$2,799.95

**Steel Door Set**

Door construction utilizes tubular steel frame design combined with high strength powder coated sheet metal • Rotary door latches with key locks • Sliding safety glass side windows • Requires Hard Cab Enclosure (KAF40-005BA)  
 \* Item Not Shown \*

MULE™ 4000/4010 4x4 (09-19)  
 Steel Door Set, Super Black..... KAF40T-003BLK.. \$1,459.95

**B Soft Door Set**

Additional weather protection • Door construction utilizes tubular steel frame design combined with high strength powder coated sheet metal • Rotary door latches with key locks • Flexible vinyl side windows • Requires Hard Cab Enclosure (KAF40-005BA)

MULE™ 4000/4010 4x4 (09-19)  
 Soft Door Set, Super Black ..... KAF40T-005BLK.. \$1,365.95  
 Soft Door Set,  
 Woodsman Green (09,11-12,14)..KAF40T-005G..... \$769.95

**C Front Heavy-Duty Spring**

Use when a cab or plow blade is installed • Replaces standard front spring • Helps prevent suspension from bottoming on large bumps • Increases vehicle ride height • Overall length is slightly shorter than original spring due to stronger spring rate • Package quantity 1, order 2 springs per vehicle

MULE™ 4000/4010 4x4 (09-19)  
 Front Heavy-Duty Spring ..... 92144-1919..... \$52.35

**A Hard Cab Enclosure**



**DARK ROYAL RED DOORS NOT AVAILABLE**

**B Soft Door Set**



**C Front Heavy Duty Spring**



## D Beacon Strobe Light



## E Speedometer / Odometer



# MULE<sup>®</sup> 4010 4x4 MULE<sup>®</sup> 4010 4x4 MULE<sup>®</sup> 4000

## D Beacon Strobe Light

Provides a brilliant amber flashing light during vehicle operation • A true strobe light with low current requirements (0.4 Amps)

MULE™ 4000/4010 4x4 (09-19)

Beacon Strobe Light .....KAF102..... \$175.95

## E Speedometer/Odometer

Industrial quality speedometer • Includes odometer • Mounts behind the dashboard with hidden bracket, face shows through "knockout" hole • All necessary installation hardware included

MULE™ 4000/4010 4x4 (09-19)

Speedometer/Odometer ..... 99999-0242..... \$180.95

## F Windshield Wiper

508mm (20") Flex Blade • 110° sweep • Adjustable blade operating height • For use on Hard Cab Enclosure glass windshield only • Will not work on Fixed (KAF40-020) or Flip-Up Windshields (KAF40-012)

MULE™ 4000/4010 4x4 (09-19)

Windshield Wiper ..... KAF30-012..... \$219.95

## F Windshield Wiper



## G Windshield Washer



## G Windshield Washer

Flexible plastic container for cleaning solution • Pumps fluid to nozzles • Wiper removes fluid and residue • Not for use on polycarbonate windshields • Windshield Wiper (KAF30-012), sold separately

MULE™ 4000/4010 4x4 (09-19)

Windshield Washer ..... KAF81A..... \$95.95

## H Universal Ignition Switch



## I Gas Spring Door Controller Set



## H Universal Ignition Switch

The Universal Ignition Switch allow the use of one key for many different vehicles • Simply replace the stock ignition switch with the Universal Ignition Switch in all of the vehicles that you would like to use the same key

MULE™ 4000/4010 4x4 (09-19)

Universal Ignition Switch..... 27005-0625..... \$54.95

## I Gas Spring Door Controller Set

For use with steel doors only • Gas pressurized controller holds door in place • Eliminates cable door stops

MULE™ 4000/4010 4x4 (09-19)

Gas Spring Door Controller Set..... KAF30-010..... \$89.95

## Glass Windshield Replacement Gas Shock Mount

Replacement gas shock for the glass windshield MULE™ side x side hard cab enclosures

\* Item Not Shown \*

MULE™ 4000/4010 4x4 (09-19)

Glass Windshield Replacement Gas Shock Mount.....K44-0007R..... \$35.95

APPAREL

MULE™

TERYX®

ATV

SPORT / DUAL SPORT

OFFROAD PERFORMANCE

CRUISER

WATERCRAFT

WINCHES

ESSENTIALS

INDEX

**MULE 4010 4x4**  
**MULE 4010 4x4**  
**MULE 4000**

**A Cab Cooling/Defrost Fan**

Dual-purpose fan that can be used for cooling in warmer temperatures and defrosting windshields during colder months

MULE™ 4000/4010 4x4 (09-19)  
 Cab Cooling/Defrost Fan.....KAF125..... \$149.95

**B Heater**

Utilizes heat from the liquid engine cooling system  
 • 2-speed blower • For use with either gas or diesel MULE™ side x side

MULE™ 4000/4010 4x4 (09-19)  
 Heater ..... KAF40-019..... \$469.95

**C Switch Box**

Organize accessory controls and simplify installation with this electrical switch panel and fuse block kit

• Six accessory circuits with easy connect terminals on the back of the box • Each circuit has an individual lighted switch on the front panel • A single 12V supply wire provides current for all accessories • Labels are provided for all common accessories

MULE™ 4000/4010 4x4 (09-19)  
 Switch Box.....KAF00-001A..... \$279.95

**D Draft Barrier**

For use in combination with Hard Cab Enclosure  
 • Helps provide additional protection from dust, wind and cold air that can enter from under the dash area

MULE™ 4000/4010 4x4 (09-19)  
 Draft Barrier ..... KAF40-021..... \$130.95

**E Floor Mat**

Tough 7.9mm (5/16") extra thick rubber • Reduces sound levels • MULE™ logo in center of mat

MULE™ 4000/4010 4x4 (09-19)  
 Floor Mat..... KAFT4-013..... \$115.95

**A Cab Cooling / Defrost Fan**



**B Heater**



**C Switch Box**



**D Draft Barrier**



**E Floor Mat**





**F** Soft Cab Enclosure

**MULE<sup>®</sup> 4010<sub>4x4</sub>**  
**MULE<sup>®</sup> 4010 4x4**  
**MULE<sup>®</sup> 4000**

**WARN** FOR THE FULL SELECTION OF WARN<sup>®</sup> WINCHES WINCHES CATALOG



**F** Soft Cab Enclosure

Full enclosure includes doors • Windows zip open for ventilation • Doors have positive mechanical latching • Tubular aluminum framework • 600 Denier Sur Last<sup>®</sup> water resistant material • Use with Fixed Windshield (KAF40-020), sold separately • Not compatible with Flip-Up Windshield (KAF40-012)

Remove for towing or use an enclosed trailer when transporting a vehicle with a Soft Cab Enclosure installed at speeds over 25 mph

MULE<sup>™</sup> 4000/4010 4x4 (09-19)  
 Soft Cab Enclosure ..... KAF40-024..... \$775.95



APPAREL

MULE<sup>™</sup>

TERRY<sup>®</sup>

ATV

SPORT / DUAL SPORT

OFFROAD PERFORMANCE

CRUISER

INDEX

**MULE® 4010 4x4**  
**MULE® 4010 4x4**  
**MULE® 4000**

**A Plastic Roof**

Color impregnated, semi-rigid plastic • No supports needed • Use individually or with Fixed Windshield (KAF40-020) or Flip-Up Windshield (KAF40-012)

Remove for towing or use an enclosed trailer when transporting a vehicle with a Plastic Roof installed

MULE™ 4000/4010 4x4 (09-19)  
 Plastic Roof .....KAF30-030A..... \$120.95

**B Fixed Windshield**

Attractive rounded profile • Hard coated polycarbonate for scratch resistance • Lightly tinted to reduce glare • Clear flexible skirt allows full opening of storage compartment • Secured by metal clamps and frames • Can be used alone, with a roof, or as a component of the Soft Cab Enclosure (KAF40-024)

Remove for towing or use an enclosed trailer when transporting a vehicle with a Fixed Windshield installed at speeds over 25 mph

MULE™ 4000/4010 4x4 (09-19)  
 Fixed Windshield..... KAF40-020 .... \$459.95

**C Flip-Up Windshield**

Seamless one-piece polycarbonate design • Allows full opening of storage compartment • Strong and attractive domed shape • Two position latching - fully closed and vented • Can be used alone or with a roof • Not compatible with Soft Cab Enclosure (KAF40-024) • Operating assist with gas springs

Remove for towing or use an enclosed trailer when transporting a vehicle with a Flip-Up Windshield installed at speeds over 25 mph

MULE™ 4000/4010 4x4 (09-19)  
 Flip-Up Windshield..... KAF40-012..... \$726.95

**A Plastic Roof**



**B Fixed Windshield**



**C Flip-Up Windshield**





FOR THE FULL SELECTION  
OF WARN® WINCHES  
WINCHES CATALOG



## Warn® ProVantage™ Front Mount Plow

Increase the capabilities of your MULE™ 4010 Trans4X4® or MULE™ 4010 Trans4X4® Diesel side x side by adding a WARN® ProVantage™ Front Mount Plow. Designed specifically for your MULE™ side x side, this plow features an easy-to-use rapid connection system. With this system, you can plow away unwanted material, disconnect the plow with ease and free your MULE™ for other applications.

For a complete kit, order the following items:  
Plow Mount KW90480  
Plow Frame KW79805  
Plow Blade KW79958  
Winch Mount KAF40-014A

And your choice of winch:  
3500S KW90387  
3500 KW90386  
2500S KW90383  
2500 KW90382  
3000S KW90385  
3000 KW90384  
2000S KW90381  
2000 KW90380  
See Winch catalog for description.

WARN®, the WARN logo and THE RED HOOK STRAP are registered trademarks of Warn Industries, Inc. ProVantage™ and Vantage™ are trademarks of Warn Industries, Inc.

### C Plow Blade



### C Plow Blade

Made from thick 12-gauge steel with heavy-duty ribbing and a center cross member for added rigidity • Boxed design adds extra support • Special low-friction powdercoated finish helps keep material from sticking to the blade • 1,829mm (72") wide allowing you to move a large amount of material decreasing your time spent plowing

MULE™ 4000/4010 4x4 (09-19)  
Plow Blade .....KW79958..... \$389.95

### D Plow Frame

### E Plow Mount



### D Plow Frame

The WARN® Plow Frame assembly features an extra wide design for increased stability and durability, a forward trip system, and an interlocked rotating base plate • Designed for great strength, outstanding durability, and excellent impact resistance • 5 point adjustment system (30°, 15°, 0°, -15°, -30°) offers a solution for a wide range of plowing scenarios

MULE™ 4000/4010 4x4 (09-19)  
Plow Frame .....KW79805..... \$369.95

### E Plow Mount

All new 3-step rapid connection system featuring a self-locating pin allows you to remove the Plow Blade and Base quickly leaving behind a small part of the mount that does not affect ground clearance • Mount is located at the front of the vehicle so there is no need to crawl under your MULE™ side x side

MULE™ 4000/4010 4x4 (09-19)  
Plow Mount .....KW90480..... \$359.95



APPEL  
MULE™  
TERRY®  
ATV  
SPORT / DUAL SPORT  
OFFROAD PERFORMANCE  
CRUISER  
WATERCRAFT  
WINCHES  
ESSENTIALS  
INDEX

**MULE 4010 4x4**  
**MULE 4010 4x4**  
**MULE 4000**

**A Headlight Guard Set**

Tubular steel guards help protect the headlights from accidental damage • Black powder coat finish  
 MULE™ 4000/4010 4x4 (09-19)  
 Headlight Guard Set..... KAF40-015..... \$99.95

**B Tail Light Guard Set**

Tubular steel guards protect the tail lights from accidental damage • Black powder coat finish  
 MULE™ 4000/4010 4x4 (09-19)  
 Tail Light Guard Set..... KAF-105A..... \$91.95

**C Brush Guard**

Made from 38mm (1½”) steel tubing with 2.1mm (.083”) wall thickness for super tough protection  
 • Four widely separated mount points for extreme rigidity • Fits with Plow installed • Does not interfere with winch mounting or use • Self-locking hardware  
 MULE™ 4000/4010 4x4 (09-19)  
 Brush Guard..... KAF40-016..... \$239.95

**D Winch Mount**

Required to install a WARN® Winch on your vehicle  
 • Heavy-duty construction securely mounts winch to vehicle • Includes all necessary brackets and hardware

Note: Winch and winch mount required for raising and lowering the plow blade.  
 MULE™ 4000/4010 4x4 (09-19)  
 Winch Mount..... KAF40-014A..... \$115.95



## E Front CV Joint Guard Set



**MULE<sup>®</sup> 4010<sub>4x4</sub>**  
**MULE<sup>®</sup> 4010<sub>4x4</sub>**  
**MULE<sup>®</sup> 4000**

## E CV Joint Guard Sets

Metal covers help protect drive shaft boots from damage • Rear not applicable on diesel units

MULE™ 4000/4010 4x4 (09-19)

Front CV Joint Guard Set ..... KAF25-049..... \$99.95  
Rear CV Joint Guard Set..... KAF30-036..... \$98.95

## F Rear Skid Plate

Helps provide protection for engine and transmission cover • Provides protection for electrical cover on right side of gasoline units

MULE™ 4000/4010 4x4 (09-19)

Rear Skid Plate ..... KAF30-035..... \$205.95

## F Rear Skid Plate



APPAREL

MULE™

TERYX®

ATV

SPORT / DUAL SPORT

OFFROAD PERFORMANCE

CRUISER

WATERCRAFT

WINCHES

ESSENTIALS

INDEX

**MULE® 4010 4x4**  
**MULE® 4010 4x4**  
**MULE® 4000**

**A Cargo Bed Lift**

Raise and lower the cargo bed with hydraulic power by Kayaba • Self-contained hydraulics: no hoses, no reservoir to fill or top off, no bleeding process

- Simple installation, no arms or levers • No exhaust pipes to change • Weight capacity 800 lbs. • Does not fit diesel models

MULE™ 4000/4010 4x4 (09-19)  
 Cargo Bed Lift..... KAF40-013..... \$929.95

**B Seat Covers**

Black - Help protect your bench seat with these seat covers • Quick installation • Made from heavy black canvas • Features an elastic band along the cover's edge • O.E.M. quality fit

Realtree® Xtra® Green - Help protect your bench seat from the hunt while blending into your surroundings with these color-matched Realtree® Xtra® Green Seat Covers • Quick installation

- Made from heavy Realtree® Xtra® Green canvas • Features an elastic band along the cover's edge • O.E.M. quality fit

Realtree APG-XTRA Camouflage Design ©2012 of Jordon Outdoor Enterprises, Ltd., All Rights Reserved

MULE™ 4000/4010 4x4 (09-19)  
 Black ..... 99994-1152..... \$79.95  
 Realtree® Xtra® Green ..... KAF30-037RTX..... \$97.95

**A Cargo Bed Lift**



**B Seat Cover (Black)**



**B Seat Cover (Realtree® Xtra® Green)**



## C Cargo Bed Mat



## D Cargo Bed Liner



# MULE<sup>®</sup> 4010 4x4 MULE<sup>®</sup> 4010 4x4 MULE<sup>®</sup> 4000

## C Cargo Bed Mat

Tough 7.9mm ( $\frac{5}{16}$ " ) extra thick rubber protects cargo and bed surface • Prevents cargo from sliding • Reduces sound levels • MULE™ logo in the center of mat

MULE™ 4000/4010 4x4 (09-19)

Cargo Bed Mat..... KAF25-023..... \$76.95

## D Cargo Bed Liner

Made with the same design and materials as those made for pickup trucks • Divider notches to use 152mm (6") L x 51mm (2") W to compartmentalize bed • Matching cover for tailgate • Slip-resistant features all of the benefits of the standard bed liner plus a treatment to increase surface friction helping to prevent cargo from sliding around

MULE™ 4000/4010 4x4 (09-19)

Standard Cargo Bed Liner ..... KAF40-022..... \$155.95

Slip-Resistant Cargo Bed Liner ..... KAF40-023..... \$165.95

## E Cargo Bed Tonneau Cover



## E Cargo Bed Tonneau Cover

Covers bed to protect cargo from weather and visibility • Internal pouch for personal items • Metal framework with hinged front side • Dome shape allows water to flow off

MULE™ 4000/4010 4x4 (09-19)

Cargo Bed Tonneau Cover..... KAF40-010..... \$322.95

## F Cargo Bed Rail Set

Steel tubing bed rails plug into square tubes at bed corners, secured with through bolts • Wrinkle black powder coat paint resists wear • Useful for securing cargo

MULE™ 4000/4010 4x4 (09-19)

Cargo Bed Rail Set..... KAF40-017..... \$154.95

## F Cargo Bed Rail Set



APPAREL

MULE™

TERRY®

ATV

SPORT / DUAL SPORT

OFFROAD PERFORMANCE

CRUISER

WATERCRAFT

WINCHES

ESSENTIALS

INDEX

**MULE® 4010 4x4**  
**MULE® 4010 4x4**  
**MULE® 4000**

**A Alternator Kit**

Required for electrical loads greater than standard current output • Adds 50 amp output to stock 15 amp output for a total of 65 amps available  
 • Recommended for low speed operation with high current requirements • Note: Does not fit 4010 4x4 Diesel Models

MULE™ 4000/4010 4x4 (09-19)  
 Alternator Kit ..... 99999-0283..... \$545.95

**B Slow Moving Vehicle Sign**

Check your local laws before use

MULE™ 4000/4010 4x4 (09-19)  
 Slow Moving Vehicle Sign ..... KAF00-015..... \$24.95

**C Enter/Exit Grab Handle**

Facilitates entry and exit, especially with windshields or cabs installed • Heavy-duty soft-radius plastic handles • Universally mount on driver or passenger side

MULE™ 4000/4010 4x4 (09-19)  
 Enter/Exit Grab Handle ..... KAF00-018..... \$36.95

**D Back-Up Beeper**

Whether on the job site or the farm, this beeper automatically activates a loud beep when put into reverse • Includes all required parts

MULE™ 4000/4010 4x4 (09-19)  
 Gas Models ..... KAFT4-015..... \$129.95

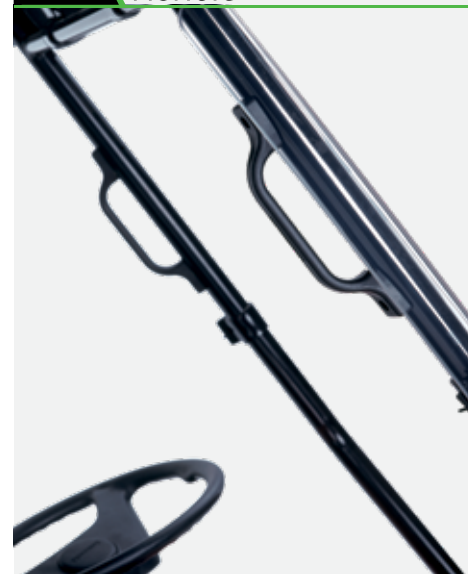
**A Alternator Kit**



**B Slow Moving Vehicle Sign**



**C Enter / Exit Grab Handle**



**D Back-Up Beeper**





## E Hitch Components



HITCH PIN

2" HITCH DRAWBAR, 4" DROP



CHROME HITCH BALL



REDUCER BUSHING

# MULE<sup>®</sup> 4010 4x4 MULE<sup>®</sup> 4010 4x4 MULE<sup>®</sup> 4000

## E Hitch Components

51mm (2") square receiver hitch ball mount meets the MULE™ (13-17) dimensional requirements

- Black powder coated finish • Order hitch ball separately • Reducer Bushing decreases hole size of hitch Drawbar from 25mm (1") to 19mm (3/4") and is required for use with (KAF127) or (KAF136) hitch balls • 51mm (2") drop

MULE™ 4000/4010 4x4 (13-19)		
2" Hitch Drawbar, 2" Drop .....	KAF138.....	\$44.95
Chrome Hitch Ball, 2" .....	KAF136.....	\$16.95
Chrome Hitch Ball, 1 7/8" .....	KAF127.....	\$17.95
Hitch Pin, 5/8" .....	TLR39.....	\$8.95
Reducer Bushing .....	TLR36A.....	\$14.95

## F Storage Cover

Durable polyester fabric resists UV damage

- Silkscreened Kawasaki logo • Intended for indoor/outdoor storage

Remove for towing or use an enclosed trailer when transporting a vehicle with a Storage Cover installed

MULE™ 4000/4010 4x4 (09-19)		
Storage Cover .....	KAF25-016D.....	\$259.95

## F Storage Cover



APPAREL

MULE™

TERRY®

ATV

SPORT / DUAL SPORT

OFFROAD PERFORMANCE

CRUISER

WATERCRAFT

WINCHES

ESSENTIALS

INDEX

# Kawasaki

2" Hitch Drawbar, 4" Drop .....	TX750-015 .....	124
Accessory Wire Harness .....	99994-1165 .....	109
Audio System .....	99994-1186 .....	110
Back-Up Beeper .....	99994-1182 .....	113
Brush Guard .....	99994-1153 .....	115
Cargo Light .....	99994-1109 .....	119
Cargo Light		
Harness & Bracket Kit .....	99994-1166 .....	118
Cargo Bed Lift .....	99994-1167 .....	121
Cargo Bed Mat .....	99994-1188 .....	122
Chrome Hitch Ball, 2" .....	KAF136 .....	124
Chrome Hitch Ball, 1 7/8" .....	KAF127 .....	124
CV Joint Guard Set, Front & Rear .....	99994-1170 .....	116
Door Set .....	99994-1162 .....	107
Floor Mat Set .....	99994-1187 .....	112
Half Windshield .....	99994-1178 .....	108
Heater .....	99994-1163 .....	109
Headrest .....	99994-0859 .....	111
Headrest Bracket .....	99994-1190 .....	111
Hitch Pin, 5/8" .....	TLR39 .....	124
Horn .....	99994-1176 .....	113
Heavy Duty Spring Set .....	99994-1174 .....	118
KQR™ Rear Panel, Polycarbonate .....	99994-1156 .....	108
KQR™ Full Windshield, Glass .....	99994-1155 .....	108
KQR™ Full Fixed Windshield, Polycarbonate .....	99994-1154 .....	108
KQR™ Cargo Box .....	99994-1168 .....	122
KQR™ Accessories Mount .....	KAF080-012 .....	123
KQR™ Cargo Bed Extender/Divider .....	99994-1192 .....	122
Kawasaki Gun Defender by ATV/UTV TEK .....	99994-1204 .....	123
KQR™ Gun Mount for Kawasaki Gun Defender by ATV/UTV TEK .....	99994-1173 .....	123
Kawasaki Gun Defender by ATV/UTV TEK Cover, TrueTimber® HTC Green .....	99994-1203 .....	123
LED Dome Light .....	KAF080-035 .....	109
LED Light Bar .....	99994-1179 .....	119
LED Light Bar Harness Kit .....	99994-1180 .....	119
LED Headlight Set .....	99994-1172 .....	119
LED Beacon Strobe Light .....	99994-1181 .....	119
Packages - MULE PRO-MX™		
Adventure Package .....	99969-3752 .....	125
Enclosed Cab, Hard Package .....	99969-3755 .....	126
Enclosed Cab, Soft Package .....	99969-3754 .....	126
Open Range Package .....	99969-3751 .....	125
Sportsman Package .....	99969-3753 .....	126
Utility Package .....	99969-3750 .....	125
Plastic Roof .....	99994-1157 .....	107
Plow Mount Plate .....	99994-1169 .....	118
Plow Frame .....	99994-1205 .....	118
Plow Blade, 72" .....	99994-1206 .....	118
Plow Replacement Parts		
Plow Skid Shoe Kit .....	92005-0926 .....	118
2" Wear Bar Kit .....	92005-0923 .....	118
Plow Bumper Part .....	92005-0922 .....	118
Plow Release Kit .....	92005-0921 .....	118
Plow Handle Part .....	92005-0920 .....	118
Plow Hardware Kit .....	92005-0919 .....	118
Plow Eye Bolt Part .....	92005-0918 .....	118
Plow Magnet Kit .....	92005-0928 .....	118
Plow Fastener Kit .....	92005-0929 .....	118
Plow Limit Switch Kit .....	92005-0927 .....	118



# MULE PRO-MX™

Rearview Mirror.....	99994-1175.....	113
Rear Bumper .....	99994-1183.....	115
Reducer Bushing .....	TLR36A .....	124
Seat Cover, Black .....	99994-1191.....	112
Seat Cover, TrueTimber® HTC Green .....	99994-1241.....	112
Side Mirror Set.....	99994-0905.....	109
Storage Cover, TrueTimber® HTC Green .....	99994-1202.....	124
Storage Cover, Black.....	99994-1177.....	124
Steel Roof.....	99994-1158.....	107
Soft Cab Enclosure Roof, Black .....	99994-1159.....	114
Soft Cab Enclosure Back, Black .....	99994-1160.....	114
Soft Cab Enclosure, Upper Door Set, Black .....	99994-1161.....	114
Soft Cab Enclosure Roof, TrueTimber® HTC Green.....	99994-1238.....	114
Soft Cab Enclosure Back, TrueTimber® HTC Green.....	99994-1239.....	114
Soft Cab Enclosure, Upper Door Set, TrueTimber® HTC Green.....	99994-1240.....	114
Skid Plate Set.....	99994-1193.....	116
Tail Light Guard Set.....	99994-1185.....	115
WARN® Pro Vantage™ 3500S Winch .....	99994-1258.....	117
WARN® Pro Vantage™ 3500 Winch .....	99994-1257.....	117
WARN® Pro Vantage™ 2500S Winch .....	99994-1260.....	117
WARN® Pro Vantage™ 2500 Winch .....	99994-1259.....	117
Winch Mount Kit .....	99994-1214.....	118
Windshield Washer .....	99994-1189.....	111
Windshield Wiper.....	99994-1164.....	111



FOR THE FULL SELECTION  
OF WARN® WINCHES  
WINCHES CATALOG



WARN®, the WARN logo and THE RED HOOK STRAP are registered trademarks of Warn Industries, Inc. ProVantage™ and Vantage™ are trademarks of Warn Industries, Inc.

Realtree APG-XTRA Camouflage Design ©2012 of Jordon Outdoor Enterprises, Ltd., All Rights Reserved

APPAREL

MULE™

TERYX®

ATV

SPORT / DUAL SPORT

OFFROAD PERFORMANCE

CRUISER

WATERCRAFT

WINCHES

ESSENTIALS

INDEX

# MULE PRO-MX™

## A Steel Roof

The Steel Roof helps offer passenger protection from harsh weather and sun and can be quickly installed or removed without tools • Contoured design for added style • Made from powder coated steel • Can be used alone or with Half Windshield (99994-1178), KQR™ Full Fixed Windshield, Polycarbonate (99994-1154), or KQR™ Full Windshield, Glass (99994-1155) • Use with the KQR™ Rear Panel, Polycarbonate (99994-1156), Hard Cab Enclosure Door Set (99994-1162) and KQR™ Full Windshield, Glass (99994-1155) to complete a Hard Cab Enclosure

Vehicle must be positioned in the forward facing direction when towed on open trailers"Hard Cab Enclosure

MULE PRO-MX™ (19)  
Steel Roof..... 99994-1158..... \$599.95

## A Steel Roof



## B Plastic Roof

This semi-rigid Plastic Roof helps offer passenger protection from harsh weather and sun • Contoured lightweight design for added style • Made from semi-rigid black textured plastic • Can use alone or with Half Windshield (99994-1178), KQR™ Full Fixed Windshield, Polycarbonate (99994-1154), or KQR™ Full Windshield, Glass (99994-1155) • Original equipment on some MULE Pro-MX™ models • Use with the KQR™ Rear Panel, Polycarbonate (99994-1156) or Soft Cab Enclosure, Back (99994-1160), Hard Cab Enclosure Door Set (99994-1162) or Soft Cab Enclosure, Upper Door Set (99994-1161), and KQR™ Full Windshield, Glass (99994-1155) to complete a Cab Enclosure

Vehicle must be positioned in the forward facing direction when towed on open trailers"Hard Cab Enclosure

MULE PRO-MX™ (19)  
Plastic Roof ..... 99994-1157..... \$139.95

## B Plastic Roof



## C Hard Cab Enclosure, Door Set

The Hard Cab Enclosure Door Set integrates into the ROPS for an OEM appearance • Steel doors with powder coated finish • Sliding upper windows are removable without tools for extra ventilation

- Additional lower window for added visibility
- Gas strut to help hold door in open position
- Complete Hard Cab Enclosure requires Plastic Roof (99994-1157) or Steel Roof (99994-1158), Hard Cab Enclosure Door Set (99994-1162), KQR™ Rear Panel, Polycarbonate (99994-1156) and KQR™ Full Windshield, Glass (99994-1155) • Not compatible with KQR™ Full Windshield, Polycarbonate (99994-1154)

Vehicle must be positioned in the forward facing direction when towed on open trailers"Hard Cab Enclosure

MULE PRO-MX™ (19)  
Door Set..... 99994-1162.. \$3,800.00

## C Hard Cab Enclosure, Door Set



**D** KQR™ Rear Panel (Polycarbonate)



**D** KQR™ Rear Panel, Polycarbonate

Polycarbonate material helps provide protection from the elements • KQR™ Rear Panel, Polycarbonate (99994-1156) can be installed or removed without tools • Can be used with any combination of windshield, doors, and roofs offered by Kawasaki • Complete Hard Cab Enclosure requires Plastic Roof (99994-1157) or Steel Roof (99994-1158), Hard Cab Enclosure Door Set (99994-1162), KQR™ Rear Panel, Polycarbonate (99994-1156) and KQR™ Full Windshield, Glass (99994-1155)

Vehicle must be positioned in the forward facing direction when towed on open trailers with a full cab Hard Cab Enclosure

MULE PRO-MX™ (19)  
KQR™ Rear Panel, Polycarbonate. 99994-1156..... \$379.95

**E** KQR™ Full Windshield (Glass)



**E** KQR™ Full Windshield, Glass

The KQR™ Full Windshield, Glass can be quickly installed and removed with minimal use of tools once installed • Tool-less removal when used as standalone windshield – A wrench is required for removal when used as a component of the Hard Cab Enclosure • Helps provide protection from wind and debris for improved in-cabin comfort • Made from DOT approved AS1 safety glass

Vehicle must be positioned in the forward facing direction when towed on open trailers  
Hard Cab Enclosure

MULE PRO-MX™ (19)  
KQR™ Full Windshield, Glass..... 99994-1155..... \$649.95

**F** KQR™ Full Fixed Windshield (Poly)



**F** KQR™ Full Fixed Windshield, Polycarbonate

Polycarbonate windshield material helps provide protection from the elements • KQR™ Full Windshield, Polycarbonate (99994-1154) can be installed or removed without tools • Can be used with any combination of soft doors, rear panels, and roofs offered by Kawasaki • Sliding lower vent system provides improved ventilation and cabin comfort • Not compatible with Hard Cab Enclosure Door Set (99994-1162)

Vehicle must be positioned in the forward facing direction when towed on open trailers"Hard Cab Enclosure

MULE PRO-MX™ (19)  
KQR™ Full Fixed Windshield, Polycarbonate ..... 99994-1154..... \$529.95

**G** Half Windshield



**G** Half Windshield

Deflect direct wind blasts while maintaining comfortable air-flow throughout cabin with the Half Windshield • Made from hard coated polycarbonate

Vehicle must be positioned in the forward facing direction when towed on open trailers

MULE PRO-MX™ (19)  
Half Windshield, Polycarbonate..... 99994-1178..... \$192.95

APPAREL

MULE™

TERYX®

ATV

SPORT / DUAL-SPORT

OFFROAD PERFORMANCE

CRUISER

WATERCRAFT

WINCHES

ESSENTIALS

INDEX

# MULE PRO-MX™

## A Side Mirror Set for Hard Cab Enclosure

Set of two automotive-style enclosed mirrors

- Manually adjustable mirrors move in all directions
- Optional component for the Hard Cab Enclosure
- Hard Cab Enclosure, Door Set (99994-1162) required, sold separately

MULE PRO-MX™ (19)

Side Mirror Set ..... 99994-0905..... \$245.95

## B Hard Cab Enclosure, Heater

Fully integrated heater system dramatically improves in-cabin comfort during those cold mornings and long winters • Utilizes the heat generated from your engine's liquid cooling system • Distributes hot air throughout the cabin via two adjustable automotive style dash vents and one floor vent • Dash vents can be used to eliminate condensation or clear frost from your windshield • 2-speed blower • 22,000 BTU • Durable textured black powder coating • Can be used alone or as an optional component of the Hard or Soft Cab Enclosures • Installation of Heater is recommended prior to installation of Hard Cab Enclosure or Soft Cab Enclosure

MULE PRO-MX™ (19)

Heater ..... 99994-1163..... \$699.95

## C Hard Cab Enclosure, LED Dome Light

LED Dome Light illuminates the interior of your vehicle's cabin while reading a map or organizing your belongings • Battery operated design allows for a quick, wireless installation • Black light housing; batteries included • Optional component for the Plastic Roof (99994-1157) required, sold separately

MULE PRO-MX™ (19)

LED Dome Light ..... KAF080-035..... \$39.95

## D Accessory Wire Harness

Power your vehicle's electronic accessories the easy way • The Accessory Wire Harness offers a convenient plug-in location for mounted accessories and routes otherwise unsightly wires through pre-molded channels • Required if installing more than one electrical accessory • More than one Accessory Wire Harness can be used if installing additional accessories but the total load rating must not exceed 10 amps

MULE PRO-MX™ (19)

Accessory Wire Harness ..... 99994-1165..... \$17.95

## A Side Mirror Set



## B Heater



## C LED Dome Light



## D Accessory Wire Harness



## E Audio System



# MULE PRO-MX™

## E Audio System

This compact Audio System is packed with features that make it easier to listen to audio in remote locations • Located within the polyethylene plastic housing is a compact marine grade 4" AM/FM Bluetooth® enabled stereo with USB and RCA AUX input adapters and amplified internal antenna • Two 5.25" dash mounted marine grade speakers • The USB input allows for the playback of MP3/WMA (windows media audio) files from compatible flash drives • The system is ready to mount to the dash with a simple integrated harness • Includes plug and play harness with waterproof connectors with premeasured wires

### Additional Stereo Features:

Bluetooth®/AM/FM/USB stereo • External antenna improves sound quality • Large, daylight readable LCD display with blue backlit controls for a user-friendly interface • Marine grade IPX67, UVA Certified, CEA426B waterproof design • 40w x 4 maximum output for powerful sound • RCA amplifier line-out • Audio tone, balance, and fade controls

### Additional Speakers Features:

5.25" marine grade two-way dash mounted speakers • Waterproof, corrosion and UV resistant • Composite poly midrange speaker with titanium dome tweeter • Bridged woofers/tweeters • Rubber suspension polypropylene cones

MULE PRO-MX™ (19)

Audio System ..... 99994-1186..... \$559.95

APPAREL

MULE™

TERRY®

ATV

SPORT / DUAL SPORT

OFFROAD PERFORMANCE

CRUISER

WATERCRAFT

WINCHES

ESSENTIALS

INDEX

# MULE PRO-MX™

## A Windshield Washer

Plastic tank holds cleaning solution • Pumps washing fluid to hood mounted nozzle • Helps to remove fluid and residue from glass windshield • Not for use on polycarbonate windshields • Requires windshield Wiper (99994-1164), sold separately • Installation of Windshield Washer is recommended prior to installation of Hard Cab Enclosure or Soft Cab Enclosure

MULE PRO-MX™ (19)

Windshield Washer ..... 99994-1189..... \$299.95

## B Windshield Wiper

403mm (15.875") Flex Blade • 110° sweep  
• Adjustable blade operating height • For use on KQR™ Full Windshield, Glass (99994-1155) only  
• Will not work on polycarbonate windshields  
• Recommended installation of Windshield Wiper prior to installation of Hard Cab Enclosure or Soft Cab Enclosure

MULE PRO-MX™ (19)

Windshield Wiper..... 99994-1164..... \$239.95

## C Headrest

Offers additional occupant comfort • Made from high-density foam with a molded Kawasaki logo  
• Sold as an individual headrest • Headrest Bracket (99994-1190) required for mounting Headrest (99994-0859) • Black powder coated steel brackets for long lasting finish quality

MULE PRO-MX™ (19)

Headrest..... 99994-0859..... \$94.95

Headrest Bracket ..... 99994-1190..... \$42.95

## A Windshield Washer



## B Windshield Wiper



## C Headrest / Headrest Bracket





## D Floor Mat Set



## D Floor Mat Set

Tough custom molded 7.9mm ( $\frac{5}{16}$ " ) extra thick rubber matches the floor contours for a perfect fit

- Reduces sound levels
- MULE™ logo in center of mats

MULE PRO-MX™ (19)  
 Floor Mat Set ..... 99994-1187..... \$74.95

## E Seat Cover

Help protect your contoured bench seats from the elements with these Seat Covers • Quick installation

- Made from heavy canvas
- Features an elastic band along the cover's edge
- O.E.M. quality fit

About TrueTimber® HTC Green

Some might say that green symbolizes both the beginning and end of seasons for hunters. From the foggy mornings of Turkey Season in May, to crisp September afternoons during Archery Season - HTC Green conceals hunters against the remaining color of recent foliage. The perfect mix of oak limbs, leaves, and twigs dissolves movement into various green landscape patterns. For those who chase game year round, HTC Green follows one season's end, only to join another season's beginning

™/® & © 2018 TrueTimber Outdoors Holding Company, LLC. Manufactured and/or distributed under official license by Kawasaki Motors Corp., U.S.A.

MULE PRO-MX™ (19)  
 Seat Cover, Black ..... 99994-1191..... \$109.95  
 Seat Cover,  
 TrueTimber® HTC Green..... 99994-1241..... \$115.95

## E Seat Cover (Black)



## E Seat Cover (TrueTimber® HTC Green)



# MULE PRO-MX™

## A Horn

Install a horn to alert others of your presence while on the job site or the trail • Mounts internally  
• Includes wire harness and switch

MULE PRO-MX™ (19)  
Horn ..... 99994-1176..... \$39.95

## B Back-Up Beeper

Whether on the job site or the farm, a Back-Up Beeper is a useful addition to alert others that your vehicle is reversing • Black with steel housing  
• Wires directly to the reverse switch on the transmission

MULE PRO-MX™ (19)  
Back-Up Beeper ..... 99994-1182..... \$84.95

## C Rearview Mirror

3D curved safety glass provides increased field of view • Textured black powder coating • Cast aluminum mounting that works with 38.1mm (1 1/2") to 45mm (1 7/8") diameter tubes • 273mm (10 3/4") L x 89mm (3 1/2") H

MULE PRO-MX™ (19)  
Rearview Mirror..... 99994-1175..... \$69.95

WARN®, the WARN logo and THE RED HOOK STRAP are registered trademarks of Warn Industries, Inc. ProVantage™ and Vantage™ are trademarks of Warn Industries, Inc.

## A Horn



## B Back-Up Beeper



## C Rearview Mirror



FOR THE FULL SELECTION  
OF WARN® WINCHES  
WINCHES CATALOG



**D** Soft Cab Enclosure (Black)



**D** Soft Cab Enclosure (TrueTimber® HTC Green)



**D** Soft Cab Enclosure

600 Denier Sur Last® water-resistant material easily attaches to vehicle with quick release buckles and hook-and-loop straps • Large rear window zips open for increased airflow • Creates a full enclosure when combined with the Soft Cab Enclosure, Roof (99994-1159), Plastic Roof (99994-1157) or Steel Roof (99994-1158) and Soft Cab Enclosure, Upper Door Set (99994-1161) and one of two windshields: KQR™ Full Fixed Windshield, Polycarbonate (99994-1154) or KQR™ Full Windshield, Glass (99994-1155) • Soft Cab Enclosure Back does not require Soft Cab Enclosure Upper Door Set but should be used in combination with a windshield and roof

Towable on open trailers when used in combination with any full windshield and the Soft Cab Enclosure, Upper Door Set • Vehicle must be positioned in the forward facing direction when towing • Remove for towing on an open trailer if Soft Cab Enclosure, Upper Door Set is not installed

**MULE PRO-MX™ (19)**

Soft Cab Enclosure Roof, Black .....	99994-1159.....	\$149.95
Soft Cab Enclosure Back, Black .....	99994-1160.....	\$159.95
Soft Cab Enclosure, Upper Door Set, Black .....	99994-1161.....	\$559.95
KQR™ Full Windshield, Glass .....	99994-1155.....	\$649.95
KQR™ Full Fixed Windshield, Polycarbonate .....	99994-1154.....	\$529.95

™/® & © 2018 TrueTimber Outdoors Holding Company, LLC. Manufactured and/or distributed under official license by Kawasaki Motors Corp., U.S.A.

**MULE PRO-MX™ (19)**

Soft Cab Enclosure Roof, TrueTimber® HTC Green .....	99994-1238.....	\$159.95
Soft Cab Enclosure Back, TrueTimber® HTC Green .....	99994-1239.....	\$159.95
Soft Cab Enclosure, Upper Door Set, TrueTimber® HTC Green .....	99994-1240.....	\$569.95
KQR™ Full Windshield, Glass .....	99994-1155.....	\$649.95
KQR™ Full Fixed Windshield, Polycarbonate .....	99994-1154.....	\$529.95

APPAREL

MULE™

TERY®

ATV

SPORT / DUAL SPORT

OFFROAD PERFORMANCE

CRUISER

WATERCRAFT

WINCHES

ESSENTIALS

INDEX



## A Brush Guard

Made from 38mm (1 1/2") powder-coated steel for extra protection when attached to stock bumper

- Includes headlight guards
- Bumper comes pre-threaded for easy mounting
- Required to mount optional LED Light Bar (99994-1179), sold separately
- Fits with Plow Mount (99994-1169), Plow Frame (99994-1205), and Plow Blade (99994-1206) installed
- Does not interfere with the mounting or use of a winch

MULE PRO-MX™ (19)

Brush Guard ..... 99994-1153..... \$209.95

## B Rear Bumper

This stylish yet functional accessory adds protection to the rear of your vehicle

- Made of durable 48mm (1 7/8") diameter steel tube
- Powder coated in textured black to provide a uniform look with stock components

MULE PRO-MX™ (19)

Rear Bumper ..... 99994-1183..... \$199.95

## C Tail Light Guard Set

Reduce the risk of damage, and related repairs to tail lights

- Powder coated in textured black to provide a uniform look with stock components
- Made of 2.3mm (3/32") thick steel
- Some drilling and rivet gun required

MULE PRO-MX™ (19)

Tail Light Guard Set..... 99994-1185..... \$49.95

## A Brush Guard



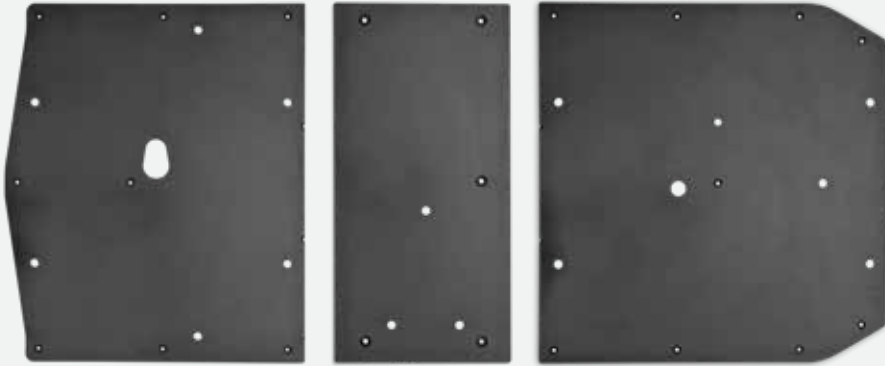
## B Rear Bumper



## C Tail Light Guard Set



## D Skid Plate Set



## D Skid Plate Set

Help protect your drivetrain and chassis with a durable three-piece HMW (High-Molecular Weight) Kawasaki Genuine Skid Plate Set • Constructed of 6.35mm (1/4") thick HMW these skid plates help provide additional protection to your investment's under body • Designed to easily replace OEM guards

MULE PRO-MX™ (19)  
Skid Plate Set ..... 99994-1193..... \$215.95

## E CV Joint Guard Set

3/8" thick HMW (High Molecular Weight) plastic covers help protect A-arms and drive shaft boots from damage

MULE PRO-MX™ (19)  
CV Joint Guard Set,  
Front & Rear ..... 99994-1170..... \$159.95

™/® & © 2018 TrueTimber Outdoors Holding Company, LLC. Manufactured and/or distributed under official license by Kawasaki Motors Corp., U.S.A.

WARN®, the WARN logo and THE RED HOOK STRAP are registered trademarks of Warn Industries, Inc. ProVantage™ and Vantage™ are trademarks of Warn Industries, Inc.

## E CV Joint Guard Set



FRONT SET



REAR SET



APPAREL

MULE™

TERRY®

ATV

SPORT / DUAL SPORT

OFFROAD PERFORMANCE

CRUISER

WATERCRAFT

WINCHES

ESSENTIALS

INDEX



## WARN® Pro Vantage™

Look no further than the WARN® ProVantage™ lineup. Available in capacities from 2,500 lbs. to 4,500 lbs. and a choice of durable aircraft-grade wire rope or lightweight, easy-to-handle synthetic rope, these winches are built using premium components and offer market-leading performance and features.

WARN® ProVantage™ winches feature a powerful permanent magnet motor, a smooth reliable three-stage planetary gear train, metal gear housing, an easy-to-use clutch control dial, fully sealed to keep the elements out, a patented roller disc brake for excellent control while winching, and a corrosion-resistant black power-coated finish with a unique black hook and tie rods. These winches have a limited lifetime warranty on mechanical parts and a three-year warranty on electrical components offered through Warn®.

- Hook, tie rods, and body feature attractive, corrosion-resistant black finish
- Three-stage planetary gear train for smooth, efficient operation
- Ergonomic clutch handle
- Patented roller disc brake for outstanding control
- Fully sealed motor and drive train to keep the elements out
- Includes illuminated dash-mounted control switch and corded remote
- All-metal gear housing and gears
- Warranty offered through Warn®
- Limited lifetime, 3 year electrical (North America) provided by WARN®

### A WARN® Pro Vantage™ 3500S Winch

3,500 lb. capacity • 50' of  $\frac{3}{16}$ " synthetic rope and double powder-coated hawse fairlead • Does not include remote

MULE PRO-MX™ (19)  
WARN® Pro Vantage™  
3500S Winch ..... 99994-1258..... \$539.95

### A WARN® Pro Vantage™ 3500 Winch

3,500 lb. capacity • 50' of  $\frac{3}{16}$ " wire rope and plow roller fairlead • Does not include remote

MULE PRO-MX™ (19)  
WARN® Pro Vantage™  
3500 Winch ..... 99994-1257..... \$399.95

### B WARN® Pro Vantage™ 2500S Winch

2,500 lb. capacity • 50' of  $\frac{3}{16}$ " synthetic rope with double powder-coated hawse fairlead • Does not include remote

MULE PRO-MX™ (19)  
WARN® Pro Vantage™  
2500S Winch ..... 99994-1260..... \$439.95

### B WARN® Pro Vantage™ 2500 Winch

2,500 lb. capacity • 50' of  $\frac{3}{16}$ " wire rope and plow roller fairlead • Does not include remote

MULE PRO-MX™ (19)  
WARN® Pro Vantage™  
2500 Winch ..... 99994-1259..... \$329.95

## A Warn® Pro-Vantage 3500S / 3500 Winch



3500S



3500



## B Warn® Pro-Vantage 2500S / 2500 Winch



2500S



2500



## C Winch Mount Kit



## D Heavy Duty Spring Set



## E Plow Blade / Plow Frame / Plow Mount Plate



FOR THE FULL SELECTION  
OF WARN® WINCHES  
WINCHES CATALOG



### C Winch Mount Kit

A Winch Mount is required when installing a WARN® ProVantage™ or Vantage™ winch and roller fairlead to your vehicle • Four-bolt pattern allows for hassle-free installation of WARN® products

WARN®, the WARN logo and THE RED HOOK STRAP are registered trademarks of Warn Industries, Inc. ProVantage™ and Vantage™ are trademarks of Warn Industries, Inc.

MULE PRO-MX™ (19)  
Winch Mount Kit ..... 99994-1214..... \$129.95

### D Heavy Duty Spring Set

Heavy-Duty Spring Set increase bottoming resistance when carrying a heavy load and/or when heavy accessories such as a Hard Cab Enclosure or Plow System are installed • Steel springs with gloss black finish: Two front springs included • Direct replacement of stock springs

MULE PRO-MX™ (19)  
Heavy Duty Spring Set..... 99994-1174..... \$239.95

### Plow Replacement Parts

MULE Pro-MX™ Plow Replacement Parts

\* Items Not Shown \*

MULE PRO-MX™ (19)  
Plow Skid Shoe Kit ..... 92005-0926..... \$13.95  
2" Wear Bar Kit ..... 92005-0923..... \$43.95  
Plow Bumper Part ..... 92005-0922..... \$14.95  
Plow Release Kit..... 92005-0921..... \$17.95  
Plow Handle Part ..... 92005-0920..... \$11.95  
Plow Hardware Kit ..... 92005-0919..... \$12.95  
Plow Eye Bolt Part ..... 92005-0918..... \$1.95  
Plow Magnet Kit..... 92005-0928..... \$9.95  
Plow Fastener Kit ..... 92005-0929..... \$8.95  
Plow Limit Switch Kit..... 92005-0927..... \$67.95

### E Plow Blade

Made from thick 12-gauge steel with heavy-duty ribbing and a center cross member for added rigidity • Boxed design adds extra support • Special low-friction powder coated finish helps keep material from sticking to the blade • 1,829mm (72") width allows you to move a large amount of material at one time

MULE PRO-MX™ (19)  
Plow Blade, 72" ..... 99994-1206..... \$335.95

### E Plow Frame

Heavy duty tubular steel construction • Designed for strength, durability, and impact resistance • Simplified connection system allows for quick attachment and removal of Plow Blade once installed • 5 point adjustment system (30°, 15°, 0°, -15°, -30°) offers a solution for a wide range of plowing scenarios

MULE PRO-MX™ (19)  
Plow Frame ..... 99994-1205..... \$439.95

### E Plow Mount Plate

Connection system features a self-locating rod and hooks for quick removal of Plow Blade and Frame once installed • Mount is located at the front of the vehicle

MULE PRO-MX™ (19)  
Plow Mount Plate..... 99994-1169..... \$335.95





### A LED Light Bar

Work or play, some things need to get done after the sun goes down • 12" light bar • 4 flood light reflectors and 6 spot beam reflectors for a total of 10 LED lights • Combination flood/spot light • UV-resistant polycarbonate lens • Includes all mounting hardware and powder coated brackets • 12V DC Input • Requires LED Light Bar Harness Kit (99994-1180) and Brush Guard (99994-1153) for mounting, sold separately

MULE PRO-MX™ (19)		
LED Light Bar .....	99994-1179.....	\$165.95
LED Light Bar Harness Kit.....	99994-1180.....	\$55.95

### B LED Headlight Set

Add these high output LED Headlights to your base model MULE PRO-MX™ side x side • New reflector style utilizes 2 individual LEDs • Replaces outer halogen lights

MULE PRO-MX™ (19)		
LED Headlight Set.....	99994-1172.....	\$399.95

### C LED Beacon Strobe Light

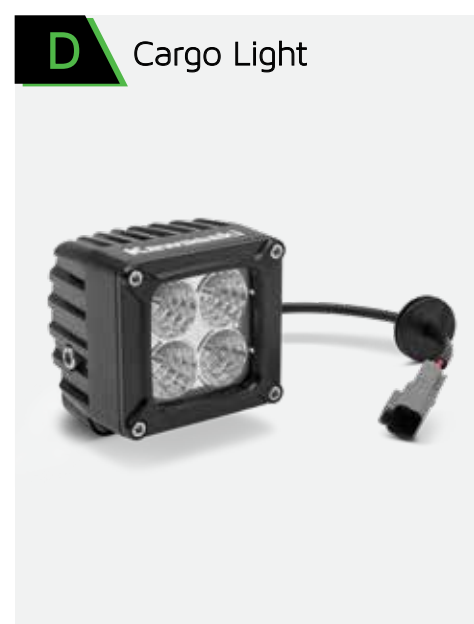
Industrial grade components • 40W / 12-80VDC  
 • Acrylic amber colored lens and nylon base • Not compatible with soft roofs

MULE PRO-MX™ (19)		
LED Beacon Strobe Light.....	99994-1181.....	\$169.95

### D Cargo Light

Illuminate your cargo or simply shed some light on the rear of your vehicle • 76mm x 76mm (3" x 3") cube light with 4 LEDs using flood beam pattern reflectors • Cast aluminum housing with black powder coating • Operated by included dash mounted switch • Mounts to Plastic Roof (99994-1157) and Steel Roof (99994-1158) • Requires Cargo Light Harness & Bracket Kit (99994-1166) to operate

MULE PRO-MX™ (19)		
Cargo Light .....	99994-1109.....	\$99.95
Cargo Light Harness & Bracket Kit.....	99994-1166.....	\$109.95







APPAREL

MULE™

TERYX®

ATV

SPORT / DUAL SPORT

OFFROAD PERFORMANCE

CRUISER

WATERCRAFT

WINCHES

ESSENTIALS

INDEX



FOR THE FULL SELECTION  
OF WARN® WINCHES  
WINCHES CATALOG



WARN®, the WARN logo and THE RED HOOK STRAP are registered trademarks of Warn Industries, Inc. ProVantage™ and Vantage™ are trademarks of Warn Industries, Inc.

# MULE PRO-MX™

## A Cargo Bed Lift

"Earth mover" grade hydraulic power by KYB®

- Self-contained hydraulics means no hoses, no reservoir to fill or top off, and no bleeding process
- Simple installation, without arms or levers
- Weight capacity 800 lbs.

"KYB" is a registered trademark of Kayaba Industry Co., Ltd. (KAYABA KOGYO KAMUSHIKI KAISHA)

MULE PRO-MX™ (19)

Cargo Bed Lift..... 99994-1167..... \$999.95

## A Cargo Bed Lift



## B KQR™ Cargo Box

-KQR™-



## B KQR™ Cargo Box

Add sealed storage within your vehicle's cargo bed

- Up to four KQR™ Cargo Boxes can quickly attach to either cargo bed rail without tools once assembled
- Ample internal storage space for transporting tools, equipment, straps, tie-downs, emergency kits, trail snacks, etc...
- KQR™ Cargo Box outer dimensions 686mm (27") L x 381mm (15") W x 381mm (15") H
- Capacity approximately 45 liters
- Material: Molded LDPE black plastic
- Requires two KQR™ Accessories Mounts (KAF080-012) sold separately

MULE PRO-MX™ (19)  
 KQR™ Cargo Box ..... 99994-1168..... \$199.95  
 KQR™ Accessories Mount..... KAF080-012..... \$19.95

## C Cargo Bed Mat

Tough 7.9mm ( $\frac{5}{16}$ ") extra thick rubber protects cargo and bed surface

- Prevents cargo from sliding
- Reduces sound levels
- MULE™ logo in the center of mat

MULE PRO-MX™ (19)  
 Cargo Bed Mat..... 99994-1188..... \$105.95

## C Cargo Bed Mat



## D KQR™ Cargo Bed Extender/Divider

Extend your usable cargo space by 203mm (8") with this durable black powder coated steel Bed Extender/Divider

- Simply lower the tailgate and attach the extender to the bed rails with two KQR™ clamps
- Easily adjust to different cargo sizes by sliding the clamps forward or backward or by reversing the entire Bed Extender to create a divider
- Two KQR™ Accessory Mounts (KAF080-012) required

MULE PRO-MX™ (19)  
 KQR™ Cargo Bed Extender/Divider..... 99994-1192..... \$189.95  
 KQR™ Accessories Mount..... KAF080-012..... \$21.95

## D KQR™ Cargo Bed Extender / Divider

-KQR™-



APPAREL  
 MULE™  
 TERYX®  
 ATV  
 SPORT / DUAL SPORT  
 OFFROAD PERFORMANCE  
 CRUISER  
 WATERCRAFT  
 WINCHES  
 ESSENTIALS  
 INDEX



### A KQR™ Accessories Mount

Required for quick-mounting the KQR™ Cargo Box (99994-1168) and Kawasaki Gun Defender Mount (99994-1173) to the vehicle bed and rear cab rail

- Constructed of black anodized aluminum for durability
- Mounts are sold individually
- Refer to each KQR™ accessory for the quantity of mounts required

MULE PRO-MX™ (19)  
KQR™ Accessories Mount..... KAF080-012..... \$19.95

### B KQR™ Gun Mount for Kawasaki Gun Defender by ATV/UTV TEK

This KQR™ Gun Mount allows for convenient weapon storage within the bed of your MULE™

- Fastens the Gun Defender
- Designed to allow for ergonomic gun loading angle while maximizing the bed space below
- Can hold two Kawasaki Gun Defenders by ATV/UTV TEK
- Attaches to the rails of the vehicle's cargo bed using KQR™ clamps
- Powder coated black
- Kawasaki Gun Defender (99994-1204) sold separately
- Requires two KQR™ Accessories Mounts (KAF080-012), sold separately

MULE PRO-MX™ (19)  
KQR™ Gun Mount for Kawasaki Gun Defender by ATV/UTV TEK..... 99994-1173..... \$149.95

### C Kawasaki Gun Defender by ATV/UTV TEK

Injection molded design offers superior strength as well as high water and dust resistance

- Defender design accommodates standard length and longer rifle barrels
- Additional width in the right places eliminates interference with bolts and target style turrets
- Fully customizable hybrid interior structure ensures a secure hold and protection for any gun
- 1 ¼" receiver slider makes for easy on, and easy off of the machine

MULE PRO-MX™ (19)  
Kawasaki Gun Defender by ATV/UTV TEK..... 99994-1204..... \$115.95

### D Kawasaki Gun Defender by ATV/UTV TEK Cover, TrueTimber® HTC Green

600 Denier Sur Last® water-resistant TrueTimber® HTC Green material features magnetic closure for entry and quick access

- Works with KQR™ Mount for Kawasaki Gun Defender
- Fits Kawasaki Gun Defender (99994-1204)

MULE PRO-MX™ (19)  
Kawasaki Gun Defender by ATV/UTV TEK Cover, TrueTimber® HTC Green..... 99994-1203..... \$92.95

### A KQR™ Accessory Mount



### B KQR™ Gun Mount



### C Kawasaki Gun Defender by ATV/UTV TEK



### D Kawasaki Gun Defender by ATV/UTV TEK Cover (TrueTimber® HTC Green)



## E Hitch Components



HITCH PIN

2" HITCH DRAWBAR, 4" DROP



CHROME HITCH BALL



REDUCER BUSHING



## E Hitch Components

Heavy duty 51mm (2") steel Hitch Drawbar with welded gusset • Hitch Pin and clip included with Hitch Drawbar and also sold separately • 48mm (1 7/8") Hitch Ball with 19mm (3/4") diameter shank, and 51mm (2") Hitch Ball with 19mm (3/4") diameter available • When using Hitch Balls with a 19mm (3/4") shank, a Reducer Bushing (TRL36A) is required

<b>MULE PRO-MX™ (19)</b>	
2" Hitch Drawbar, 4" Drop .....	TX750-015..... \$36.95
Chrome Hitch Ball, 2" .....	KAF136..... \$18.95
Chrome Hitch Ball, 1 7/8" .....	KAF127..... \$17.95
Hitch Pin, 5/8" .....	TLR39..... \$8.95
Reducer Bushing .....	TLR36A..... \$14.95

## F Storage Cover, Black

Help protect your vehicle during storage with this premium storage cover • Durable black polyester fabric • UV resistant to prevent fading • Features silk screened Kawasaki logo for an O.E.M. appearance

<b>MULE PRO-MX™ (19)</b>	
Storage Cover, Black.....	99994-1177..... \$155.95

## G Storage Cover, TrueTimber® HTC Green

Help protect your vehicle during storage with this premium storage cover • Durable TrueTimber® HTC Green polyester fabric • UV resistant to prevent fading • Features silk screened Kawasaki logo for an O.E.M. appearance

<b>MULE PRO-MX™ (19)</b>	
Storage Cover, TrueTimber® HTC Green.....	99994-1202..... \$259.95

**About TrueTimber® HTC Green**  
Some might say that green symbolizes both the beginning and end of seasons for hunters. From the foggy mornings of Turkey Season in May, to crisp September afternoons during Archery Season - HTC Green conceals hunters against the remaining color of recent foliage. The perfect mix of oak limbs, leaves, and twigs dissolves movement into various green landscape patterns. For those who chase game year round, HTC Green follows one season's end, only to join another season's beginning

™/® & © 2018 TrueTimber Outdoors Holding Company, LLC. Manufactured and/or distributed under official license by Kawasaki Motors Corp., U.S.A.

## F Storage Cover (Black)



## G Storage Cover (TrueTimber® HTC Green)



# MULE PRO-MX™

## A Utility Package

The MULE PRO-MX™ Utility Package includes the following accessories: Plastic Roof (99994-1157), Dome Light (KAF080-035), Horn (99994-1176), Rear Bumper (99994-1183), Rearview Mirror (99994-1175), 2" Hitch Drawbar (TX750-015), 2" Chrome Hitch Ball (KAF136), & Reducer Bushing (TLR36A)

MULE PRO-MX™ (19)

Utility Package ..... 99969-3750..... \$473.95

## B Open Range Package

The MULE PRO-MX™ Open Range Package includes the following accessories: KQR™ Full Fixed Polycarbonate Windshield (99994-1154), LED Light Bar (99994-1179), LED Light Bar Harness Kit (99994-1180), Brush Guard (99994-1153), Tail Light Guard Set (99994-1185), Black Seat Cover (99994-1191), Floor Mat Set (99994-1187), KQR™ Cargo Box (99994-1168), KQR™ Accessories Mount (2) (KAF080-012), 2" Hitch Drawbar (TX750-015), 2" Chrome Hitch Ball (KAF136), & Reducer Bushing (TLR36A)

MULE PRO-MX™ (19)

Open Range Package ..... 99969-3751.. \$1,278.95

## C Adventure Package

The MULE PRO-MX™ Adventure Package includes the following accessories: Half Windshield (99994-1178), Brush Guard (99994-1153), Rear Bumper (99994-1183), CV Joint Guard Set (99994-1170), Skid Plate Set (99994-1193), Tail Light Guard Set (99994-1185), Rearview Mirror (99994-1175), Winch Mount Kit (99994-1214), & WARN® Pro-Vantage™ 3500 Winch (KW90386)

MULE PRO-MX™ (19)

Adventure Package..... 99969-3752.. \$1,408.95

WARN®, the WARN logo and THE RED HOOK STRAP are registered trademarks of Warn Industries, Inc. ProVantage™ and Vantage™ are trademarks of Warn Industries, Inc.

## A Utility Package



## B Open Range Package



## C Adventure Package



## D Sportsman Package



# MULE PRO-MX™

## D Sportsman Package

The MULE PRO-MX™ Sportsman Package includes the following accessories: KQR™ Full Fixed Polycarbonate Windshield (99994-1154), TrueTimber® HTC Green Soft Cab Enclosure Roof (99994-1238), TrueTimber® HTC Green Soft Cab Enclosure Back (99994-1239), TrueTimber® HTC Green Soft Cab Enclosure Upper Door Set (99994-1240), TrueTimber® HTC Green Seat Cover (99994-1241), Kawasaki Gun Defender by ATV/UTV TEK (99994-1204), TrueTimber® HTC Green Cover for Kawasaki Gun Defender by ATV/UTV TEK (99994-1203), KQR™ Mount for Kawasaki Gun Defender by ATV/UTV TEK (99994-1173), & KQR™ Accessories Mount (2) (KAF080-012)

™/® & © 2018 TrueTimber Outdoors Holding Company, LLC. Manufactured and/or distributed under official license by Kawasaki Motors Corp., U.S.A.

MULE PRO-MX™ (19)

Sportsman Package ..... 99969-3753.. \$1,643.95

## E Enclosed Soft Cab Package



## E Enclosed Soft Cab Package

The MULE PRO-MX™ Enclosed Cab, Soft Package includes the following accessories: KQR™ Full Fixed Polycarbonate Windshield (99994-1154), Black Soft Cab Enclosure Roof (99994-1159), Black Soft Cab Enclosure Back (99994-1160), Black Soft Cab Enclosure Upper Door Set (99994-1161), Rearview Mirror (99994-1175)

MULE PRO-MX™ (19)

Enclosed Cab, Soft Package ..... 99969-3754.. \$1,121.95

## F Enclosed Hard Cab Package



## F Enclosed Hard Cab Package

The MULE PRO-MX™ Enclosed Cab, Hard Package includes the following accessories: KQR™ Full Fixed Glass Windshield (99994-1155), Windshield Wiper (99994-1164), Windshield Washer (99994-1189), KQR™ Polycarbonate Rear Panel (99994-1156), Hard Cab Enclosure Door Set (99994-1162), Heavy-Duty Spring Set (99994-1174), Accessory Wire Harness (99994-1156), Rearview Mirror (99994-1175)

MULE PRO-MX™ (19)

Enclosed Cab, Hard Package ..... 99969-3755.. \$5,412.95

WARN®, the WARN logo and THE RED HOOK STRAP are registered trademarks of Warn Industries, Inc. ProVantage™ and Vantage™ are trademarks of Warn Industries, Inc.

APPAREL

MULE™

TERRY®

ATV

SPORT / DUAL SPORT

OFFROAD PERFORMANCE

CRUISER

WATERCRAFT

WINCHES

ESSENTIALS

INDEX

# Kawasaki

MULE SX™		127
Audio System	99994-0854	132
Back-Up Beeper	KAF600-024	139
Back-Switch	13151-1080	139
Beacon Strobe Light	KAF102	130
Brush Guard	99994-0734	138
Cab Cooling/Defrost Fan	KAF125	131
Cargo Bed Mat	KAF550-030	140
Cargo Bed Liner, Slip Resistant	KAF600-007B	140
Chrome Hitch Ball, 2"	KAF136	141
Chrome Hitch Ball, 1 7/8"	KAF127	141
Enter/Exit Grab Handle	KAF00-018	141
Floor Mat	KAF600-029	133
Front CV Joint Guard Set	KAF600-004	139
Gasket	92065-058	139
Hard Cab Enclosure	99994-0849	129
Heater	KAF600-015A	131
Headrest	99994-0859	133
Horn	99994-0455	139
KQR™ Cargo Box	TX000-01	139
KQR™ Accessories Mount	KAF080-012	139
KQR™ Fixed Windshield	99994-0852	136
KQR™ Flip-Up Windshield	99994-0853	136
LED Cargo Light	99994-0890	130
LED Dome Light	KAF080-035	131
LED Speedometer/Odometer	99994-0857	132
LED Headlight Set	99994-0735	138
LED Light Bar	KAF080-048	138
LED Light Bar Harness Kit	TX000-23	138
Packages - MULE SX™		
Adventure Package	99969-3759	142
Open Range Package	99969-3758	142
Utility Package	99969-3757	142
Plastic Roof	KAF600-005B	135
Plow	KAF600-025A	137
Premium Side Mirror Set	99994-0856	138
Rearview Mirror	99994-0906	130
Roof and Back, Black	99994-0850	134
Roof and Back, Realtree® Xtra® Green	99994-0889	134
Rear Heavy Duty Spring	92145-0400	129
Side Mirror Set	99994-0905	130
Soft Door Set, Black	99994-0911	134
Soft Door Set, Realtree® Xtra® Green	99994-0912	134
Soft Roof, Black	KAF600-023B	135
Soft Roof, Realtree® Xtra® Green	KAF600-023RTX	135
Soft Roof with Back	KAF600-033	135
Standard Side Mirror Set	99994-0855	138
Seat Cover, Black	99994-1149	140
Seat Cover, Realtree® Xtra® Green	KAF600-032RTX	140
Switch Box	KAF00-001A	139
Storage Cover	KAF600-028B	141
Trailer Hitch	KAF600-026A	141
Universal Ignition Switch	27005-0625	133
Underseat Storage Bin	99999-0054	133
Winch Mount	99994-0733	137
Winch Mount Adapter 2WD	99994-0768	137
Windshield Gas Shock Set	99994-0908	131
Windshield Washer	KAF81A	132
Windshield Wiper	99994-0903	132





# MULE S<sup>X</sup>



APPAREL

MULE™

TERRY®

ATV

SPORT / DUAL SPORT

OFFROAD  
PERFORMANCE

CRUISER

WATERCRAFT

WINCHES

ESSENTIALS

INDEX



## A Hard Cab Enclosure

Full steel construction for increased weather protection • Features a tilt-up safety-glass windshield that opens for increased ventilation

- Optional Windshield Gas Shocks (99994-0908), sold separately, aid with opening and closing the windshield
- A large acrylic rear window reduces cabin weight and provides a wide field of vision
- Forward hinged doors are easy to open and included with the hard cab enclosure
- Doors have sliding windows with tempered glass and gas shock assists, which keep doors opening and closing smoothly
- A padded roof helps reduce noise and a water-resistant vinyl back decreases drafts for a more comfortable ride
- Requires (2) Rear Heavy-Duty Springs, (92145-0400), sold separately
- Not compatible with Audio System (99994-0854)

MULE SX™ (17-19)

Hard Cab Enclosure ..... 99994-0849.. \$4,859.95

## B Rear Heavy Duty Spring

Required component for the Hard Cab Enclosure (99994-0849) • 2 required

MULE SX™ (17-19)

Rear Heavy Duty Spring..... 92145-0400..... \$131.93

## A Hard Cab Enclosure



## B Rear Heavy Duty Spring



## C LED Cargo Light



## D Beacon Strobe Light



## C LED Cargo Light for Hard Cab Enclosure

LED Cargo Light includes switch and harness

- Bright 6000k white light flood pattern and cast aluminum housing with black powder coat finish
- Conveniently operated with a mounted switch located by the parking brake
- Optional component for the Hard Cab Enclosure
- Hard Cab Enclosure (99994-0849) required, sold separately

MULE SX™ (17-19)  
LED Cargo Light..... 99994-0890..... \$272.95

## D Beacon Strobe Light

Provides a brilliant amber flashing light during vehicle operation

- A true strobe light with low current requirements (0.4 Amps)

MULE SX™ (17-19)  
Beacon Strobe Light .....KAF102... \$175.95

## E Side Mirror Set for Hard Cab Enclosure



## E Side Mirror Set for Hard Cab Enclosure

Set of two automotive-style enclosed mirrors

- Manually adjustable mirrors move in all directions
- Optional component for the Hard Cab Enclosure
- Hard Cab Enclosure (99994-0849) required, sold separately

MULE SX™ (17-19)  
Side Mirror Set..... 99994-0905..... \$245.95

## F Rearview Mirror for Hard Cab Enclosure

Convex safety-glass

- Chrome accents add a stylish touch
- Hard Cab Enclosure comes pre-drilled to accommodate the Rearview Mirror for easy installation
- Optional component for the Hard Cab Enclosure
- Hard Cab Enclosure (99994-0849) required, sold separately

MULE SX™ (17-19)  
Rearview Mirror..... 99994-0906..... \$95.95

## F Rearview Mirror for Hard Cab Enclosure



APPAREL

MULE™

TERRY®

ATV

SPORT / DUAL-SPORT

OFFROAD PERFORMANCE

CRUISER

WATERCRAFT

WINCHES

ESSENTIALS

INDEX



**A Cab Cooling/Defrost Fan**

Dual-purpose fan that can be used for cooling in warmer temperatures and defrosting windshields during colder months. Requires Hard Cab Enclosure (99994-0849), sold separately

MULE SX™ (17-19)  
 Cab Cooling/Defrost Fan.....KAF125..... \$149.95

**A Cab Cooling / Defrost Fan**



**B Hard Cab Enclosure, Dome Light**



**B Hard Cab Enclosure, Dome Light**

LED Dome Light illuminates the interior of your vehicle's cabin while reading a map or organizing your belongings • Battery operated design allows for a quick, wireless installation • Black light housing; batteries included, two required • Optional component for the Hard Cab Enclosure (99994-0849), sold separately

MULE SX™ (17-19)  
 LED Dome Light..... KAF080-035..... \$39.95

**C Heater**

Keep warm inside your MULE™ side x side with this heater featuring a 2-speed centrifugal blower. This heater utilizes heat from the engine to warm the cab. Installs with included hardware under the passenger seat • Can be used alone or as an optional component of the Hard Cab Enclosure (99994-0849) • Heater not compatible with Underseat Storage Bin (99999-0054) • Heater not compatible with MULE™ SX (FI) models

MULE SX™ (17-19)  
 Heater ..... KAF600-015A..... \$499.95

**C Heater**



**D Hard Cab Enclosure, Windshield Gas Shock Set**

Gas Shock Set allows for easier opening and closing of the windshield • Shocks also help stabilize the windshield over rough terrain • Optional component for the Hard Cab Enclosure (99994-0849), sold separately

MULE SX™ (17-19)  
 Windshield Gas Shock Set ..... 99994-0908..... \$220.95

**D Hard Cab Enclosure, Windshield Gas Shock Set**



**E** Hard Cab Enclosure, Windshield Washer



**F** Hard Cab Enclosure, Windshield Wiper



**G** Audio System



**H** LED Speedometer / Odometer



**E** Hard Cab Enclosure, Windshield Washer

Flexible plastic container for cleaning solution  
 • Pumps fluid to nozzles • Wiper removes fluid and residue • Not for use on polycarbonate windshields  
 • Wiper components not included

MULE SX™ (17-19)  
 Windshield Washer ..... KAF81A..... \$95.95

**F** Hard Cab Enclosure, Windshield Wiper

Features a 110° sweep radius • 508mm (20") black flex blade • Complete Windshield Wiper operation requires Windshield Washer (KAF81A), sold separately • Optional component for the Hard Cab Enclosure (99994-0849), sold separately • Not compatible with KQR™ Flip-Up Windshield (99994-0853) or KQR™ Full Windshield (99994-0852)

MULE SX™ (17-19)  
 Windshield Wiper ..... 99994-0903..... \$229.95

**G** Audio System

Compact AM/FM audio system with USB and AUX input is packed with features • The USB input allows for the playback of MP3/WMA (Windows Media Audio) files from compatible flash drives • Audio system is Bluetooth® compatible with dash-mounted radio housing and ROPS-mounted speakers • Includes easy to install housing, AM/FM radio, two compact 76mm (3") marine grade 2-way speakers, USB and AUX input adaptor and amplified internal antenna • Not compatible with Hard Cab Enclosure (99994-0849)

MULE SX™ (17-19)  
 Audio System ..... 99994-0854..... \$669.95

**H** LED Speedometer/Odometer

LED display conveniently shows speed and mileage on the vehicle's dash • 86mm (3 3/8") diameter gauge is lit from within by brilliant, super-bright LEDs • 3 settings for each model variation adjusts for wheel/tire size • Microprocessor controlled for accuracy • Water resistant • Mounting hardware included • Sensor (21176-0044) required, sold separately

MULE SX™ (17-19)  
 LED Speedometer/Odometer ..... 99994-1439..... \$209.95  
 Sensor ..... 21176-0044..... \$46.95

APPAREL  
 MULE™  
 TERYX®  
 ATV  
 SPORT / DUAL-SPORT  
 OFFROAD PERFORMANCE  
 CRUISER  
 WATERCRAFT  
 WINCHES  
 ESSENTIALS  
 INDEX



### A Universal Ignition Switch

The Universal Ignition Switch allow the use of one key for many different vehicles • Simply replace the stock ignition switch with the Universal Ignition Switch in all of the vehicles that you would like to use the same key

MULE SX™ (17-19)  
 Universal Ignition Switch..... 27005-0625..... \$54.95

### B Underseat Storage Bin

Large storage bin fits under passenger side of seat • Lift seat bottom for access • Approximately 3.6 gallon volume • Not compatible with Heater (KAF600-015A) • Standard equipment on MULE SX™ 4x4 XC SE models

MULE SX™ (17-19)  
 Underseat Storage Bin..... 99999-0054..... \$65.95

### C Headrest

Offers additional occupant comfort • Made from high-density foam with a molded Kawasaki logo • Sold as one individual headrest

MULE SX™ (17-19)  
 Headrest..... 99994-0859..... \$94.95

### D Floor Mat

Tough 7.9mm (5/16") extra thick rubber helps protect feet and MULE™ side x side floorboards • Helps reduce sound levels • MULE™ logo in center of mat

MULE SX™ (17-19)  
 Floor Mat..... KAF600-029..... \$98.95

### A Universal Ignition Switch



### B Underseat Storage Bin



### C Headrest



### D Floor Mat



## E Soft Cab Enclosure (Black)



### E Soft Cab Enclosure

600 Denier Sur Last® water-resistant material helps provide protection from the elements • Rear window zips open for increased cabin airflow • Complete Soft Cab Enclosure requires Roof and Back (99994-0850 or 99994-0089), Door Set (99994-0911 or 99994-0912) and the choice of two windshields: KQR™ Flip-Up Wind-shield (99994-0853) or KQR™ Fixed Windshield (99994-0852)  
 Offered as a set of two, soft doors come with magnetic latching • Doors securely fasten to the existing bodywork • Side windows offer additional light and unzip for added ventilation • Use only as component of Soft Cab Enclosure

Remove for towing or use an enclosed trailer when transporting a vehicle with a Soft Cab Enclosure installed.

Realtree APG-XTRA Camouflage Design ©2012 of Jordon Outdoor Enterprises, Ltd., All Rights Reserved

<b>MULE SX™ (17-19)</b>	
Roof and Back, Black .....	99994-0850..... \$299.95
Roof and Back, Realtree® Xtra® Green .....	99994-0889..... \$315.95
Soft Door Set, Black.....	99994-0911..... \$549.95
Soft Door Set, Realtree® Xtra® Green .....	99994-0912..... \$597.95
KQR™ Fixed Windshield .....	99994-0852..... \$589.95
KQR™ Flip-Up Windshield.....	99994-0853..... \$819.95

## E Soft Cab Enclosure (Realtree® Xtra® Green)



APPAREL

MULE™

TERRY®

ATV

SPORT / DUAL SPORT

OFFROAD PERFORMANCE

CRUISER

WATERCRAFT

WINCHES

ESSENTIALS

INDEX



## A Plastic Roof

Color impregnated, semi-rigid plastic • No supports needed • OEM component on some MULE SX™ models • Use alone or with KQR™ Fixed Windshield (99994-0852) or KQR™ Flip-Up Windshield (99994-0853)

MULE SX™ (17-19)

Plastic Roof ..... KAF600-005B..... \$158.95

## B Soft Roof

Durable, weatherproof 18 oz. fiber-reinforced PVC laminate material • Installs easily with durable straps  
 • Includes fiberglass support rod to shape peak  
 • Use alone or with KQR™ Fixed Windshield (99994-0852) or KQR™ Flip-Up Windshield (99994-0853)

Remove for towing or use an enclosed trailer when transporting a vehicle with a Soft Roof installed.

Realtree APG-XTRA Camouflage Design ©2012 of Jordon Outdoor Enterprises, Ltd., All Rights Reserved

MULE SX™ (17-19)

Black ..... KAF600-023B..... \$75.95

Realtree® Xtra® Green ..... KAF600-023RTX..... \$84.95

## C Soft Roof with Back

Durable, weatherproof 18 oz. fiber-reinforced PVC laminate material • Installs easily with durable straps  
 • Includes fiberglass support rod to shape peak  
 • Large, UV-resistant, vinyl rear window extends behind uprights to bottom of rear seat for added coverage • Produced from nylon reinforced rip-stop vinyl • Use alone or with KQR™ Fixed Windshield (99994-0852) or KQR™ Flip-Up Windshield (99994-0853)

Remove for towing or use an enclosed trailer when transporting a vehicle with a Soft Roof with Back installed.

MULE SX™ (17-19)

Soft Roof with Back ..... KAF600-033..... \$119.95

## A Plastic Roof



## B Soft Roof (Realtree® Xtra® Green)



## B Soft Roof (Black)



## C Soft Roof with Back





## D KQR™ Fixed Windshield

-KQR™-



## D KQR™ Fixed Windshield

Durable scratch-resistant polycarbonate windshield with sliding lower vent system provides improved ventilation and cabin comfort • Digital gradient border in silk screen adds a stylish accent • KQR™ mounting system allows for easy installation and removal • Windshield can be used alone, with all roofs in the collection of Kawasaki Genuine Accessories or as part of a complete Soft Cab Enclosure

Towable in forward facing position only.

MULE SX™ (17-19)

KQR™ Fixed Windshield ..... 99994-0852..... \$569.95

## E KQR™ Flip-Up Windshield

One-piece scratch-resistant polycarbonate windshield with three position latching (closed, vented and open) increases air flow • Digital gradient border in silk screen adds stylish accent • KQR™ mounting system allows for easy installation and removal • Windshield can be used alone, with all roofs in the collection of Kawasaki Genuine Accessories or as part of a complete Soft Cab Enclosure • Do not operate the vehicle with the windshield in the full open position

Towable in forward facing position only with windshield in closed and locked position.

MULE SX™ (17-19)

KQR™ Flip-Up Windshield..... 99994-0853..... \$819.95

## E KQR™ Flip-Up Windshield (Closed)

-KQR™-



## E KQR™ Flip-Up Windshield (Vented)

-KQR™-



APPAREL

MULE™

TERRY®

ATV

SPORT / DUAL SPORT

OFFROAD PERFORMANCE

CRUISER

WATERCRAFT

WINCHES

ESSENTIALS

INDEX



### A Plow

Featuring a 1,524mm (60") blade and electric lift, this plow system is perfect for quickly clearing snow

- Cab-operated electric lift and five blade positions make snow removal faster and easier
- Electric lift included
- Five positions - center, 15 and 30 degrees, left and right
- Quick connection into 32mm (1 1/4") front receiver mount
- Not compatible with a winch installed

WARN®, the WARN logo and THE RED HOOK STRAP are registered trademarks of Warn Industries, Inc. ProVantage™ and Vantage™ are trademarks of Warn Industries, Inc.

MULE SX™ (17-19)  
 Plow.....KAF600-025A.. \$2,899.95

### B Winch Mount

Required to install WARN® ProVantage™ or Vantage™ Winch • MULE SX™ 2WD drive models also require Winch Mount Adaptor (99994-0768)

WARN® Winch Choices:

- 3500S\* KW90387
- 3500\* KW90386
- 3000S\* KW90385
- 3000\* KW90384
- 2500S\* KW90383
- 2500\* KW90382
- 2000S KW90381
- 2000 KW90380

See Winch catalog for description.

\*Not compatible with MULE SX™ 2WD models.

MULE SX™ (17-19)  
 Winch Mount..... 99994-0733..... \$69.95

### C Winch Mount, Adapter, 2WD

Required to install WARN® ProVantage™ or Vantage™ Winch • MULE SX™ 2WD drive models also require Winch Mount Adaptor (99994-0768)

MULE SX™ (17-19)  
 Winch Mount Adapter 2WD ..... 99994-0768..... \$39.95



## D LED Headlight Set / LED Light Bar / Brush Guard



## D LED Headlight Set / LED Light Bar / Brush Guard



LED HEADLIGHT SET

BRUSH GUARD

LED LIGHT BAR



### D LED Headlight Set

Add these high power output LED headlights to your vehicle • Five individual LEDs in each light emit a bright white light • OEM component on MULE SX™ 4X4 XC Camo and MULE SX™ XC SE side x side

MULE SX™ (17-19)

LED Headlight Set..... 99994-0735..... \$399.95

### D LED Light Bar

Work or play, some things need to get done after the sun goes down • 2,200 lumens • Flood and Driving beam patterns available • UV-resistant polycarbonate lens • Rugged solid state LEDs can withstand shock and vibration • Long-lasting LEDs means more time between replacement bulbs

- Die-cast aluminum housing provides substantial protection • 12V DC Input • 4 Amp draw • Requires Brush Guard (99994-0734) and LED Light Bar Harness Kit (TX000-23) sold separately • LED Light Bar Harness Kit includes switch, wire harness and mounting hardware • SAE J1113 (Class 21) ECE Reg. 10 Compliant

MULE SX™ (17-19)

LED Light Bar ..... KAF080-048..... \$399.95

LED Light Bar Harness Kit..... TX000-23..... \$72.95

### D Brush Guard

Made from 38mm (1 1/2") powder-coated steel for extra protection when attached to stock bumper

- Bumper comes pre-drilled for easy mounting
- Required to mount optional LED Light Bar (KAF080-048), sold separately • Fits with Plow (KAF600-025A) installed • Does not interfere with winch mounting or use

MULE SX™ (17-19)

Brush Guard ..... 99994-0734..... \$179.95

### E Standard Side Mirror Set

Vertical shatter-resistant safety glass mirror sits in high-impact plastic housing • Convex mirror surface increases the driver's field of view • Adaptive 360° bracket rotation provides preferred viewing position

- Mirrors attach directly to vehicle ROPS

MULE SX™ (17-19)

Standard Side Mirror Set ..... 99994-0855..... \$59.95

### F Premium Side Mirror Set

Horizontal shatter-resistant safety glass mirror sits in cast aluminum armored housing • Convex mirror surface increases the driver's field of view • Adaptive 360° bracket rotation provides preferred viewing position

- An enclosed floating mirror mount helps adjust and protect the mirror within its housing
- Kawasaki logos are embossed on the seal cap and back • Cap is weather sealed to help protect the hardware from moisture and debris • Mirrors attach directly to vehicle ROPS

MULE SX™ (17-19)

Premium Side Mirror Set..... 99994-0856..... \$159.95

## E Standard Side Mirror Set



## F Premium Side Mirror Set



APPAREL

MULE™

TERRY®

ATV

SPORT / DUAL SPORT

OFFROAD PERFORMANCE

CRUISER

WATERCRAFT

WINCHES

ESSENTIALS

INDEX



### A Front CV Joint Guard Set

Metal cover helps protect drive shaft boots from damage • Steel plate construction

MULE SX™ (17-19)

Front CV Joint Guard Set ..... KAF600-004..... \$127.95

### B KQR™ Accessories Mount

Required for quick-mounting the KQR™ Gun Boot Mount to the vehicle bed and rear cab rails  
• Constructed of black anodized aluminum for durability • Mounts are sold individually • Refer to each KQR™ accessory for the quantity of mounts required

MULE SX™ (17-19)

KQR™ Accessories Mount..... KAF080-012..... \$19.95

### C KQR™ Cargo Box

Durable, lockable molded plastic cargo box features a double wall, insulated lid • Simple installation with convenient KQR™ aluminum clamps (included) that quickly attach to the cargo bed rail • Measures 432mm 17" L x 483mm (19") W x 457mm (18") H

MULE SX™ (17-19)

KQR™ Cargo Box ..... TX000-01..... \$185.95

### D Switch Box

Organize accessory controls and simplify installation with this electrical switch panel and fuse block kit  
• Six accessory circuits with easy connect terminals on the back of the box • Each circuit has an individual lighted switch on the front panel • A single 12V supply wire provides current for all accessories • Labels are provided for all common accessories

MULE SX™ (17-19)

Switch Box..... KAF00-001A..... \$279.95

### E Horn

Install a horn to alert others of your presence while on the job site or the trail • Mounts internally  
• Includes switch

MULE SX™ (17-19)

Horn ..... 99994-1150..... \$TBD

### F Back-Up Beeper

Automatically activates loud beep sound when shifted to reverse • Easy installation with plunger switch • Requires Gasket (92065-058) and Switch (13151-1080)

MULE SX™ (17-19)

Back-Up Beeper ..... KAF600-024..... \$79.95

Back-Switch ..... 13151-1080..... \$8.94

Gasket ..... 92065-058..... \$2.95

## A Front CV Joint Guard Set



## B KQR™ Accessories Mount



## C KQR™ Cargo Box



## D Switch Box



## E Horn



## F Back-Up Beeper



## G Cargo Bed Mat



## G Cargo Bed Mat

Help protect your cargo bed base with this tough rubber mat • Extra thick rubber helps prevent cargo from sliding • Reduces sound levels caused from vibrations • 7.9mm ( $\frac{5}{16}$ " ) thick black molded rubber, MULE™ in the center of the mat • Does not fit MULE SX™ 4x4 XC Camo models

MULE SX™ (17-19)  
Cargo Bed Mat..... KAF550-030..... \$66.95

## H Cargo Bed Liner, Slip-Resistant

Divider notches to use 152mm (6") L x 51mm (2") W to compartmentalize bed • Matching cover for tailgate • Slip resistant features all of the benefits of the standard bed liner plus a treatment to increase surface friction helping to prevent cargo from sliding around • Standard equipment MULE SX™ 4x4 XC Camo models • Requires drilling

MULE SX™ (17-19)  
Cargo Bed Liner, Slip Resistant.... KAF600-007B..... \$105.95

## H Cargo Bed Liner, Slip Resistant



## I Seat Cover

Black - Help protect your bench seat with these seat covers • Quick installation • Made from heavy black canvas • Features an elastic band along the cover's edge • O.E.M. quality fit

Realtree® Xtra® Green - Help protect your bench seat from the hunt while blending into your surroundings with these color-matched Realtree® Xtra® Green Seat Covers • Quick installation  
• Made from heavy Realtree® Xtra® Green canvas  
• Features an elastic band along the cover's edge  
• O.E.M. quality fit

Realtree APG-XTRA Camouflage Design ©2012 of Jordon Outdoor Enterprises, Ltd., All Rights Reserved

MULE SX™ (17-19)  
Black ..... 99994-1149..... \$76.95  
Realtree® Xtra® Green .....KAF600-032RTX..... \$74.95

## I Seat Cover (Realtree® Xtra® Green)



## I Seat Cover (Black)





## A Hitch Components

Attaches to rear cross member of vehicle • Load rating determined by vehicle tow rating • Chrome Hitch Ball (KAF127 or KAF136), sold separately • Standard Equipment on MULE SX™ 4x4 SE models

### MULE SX™ (17-19)

Trailer Hitch .....KAF600-026A..... \$135.95  
 Chrome Hitch Ball, 2" .....KAF136..... \$16.95  
 Chrome Hitch Ball, 1 7/8" .....KAF127..... \$17.95

## B Enter/Exit Grab Handle

Facilitates entry and exit, especially with windshields or cabs installed • Heavy-duty soft-radius plastic handles • Universally mount on driver or passenger side

### MULE SX™ (09-17)

Enter/Exit Grab Handle ..... KAF00-018..... \$36.95

## C Storage Cover

Durable polyester fabric resists UV damage • Silkscreened Kawasaki logo • Intended for indoor/outdoor and not for towing • Not compatible with Hard Cab Enclosure (99994-0849)

### MULE SX™ (17-19)

Storage Cover ..... KAF600-028B..... \$199.95

## A Hitch Components

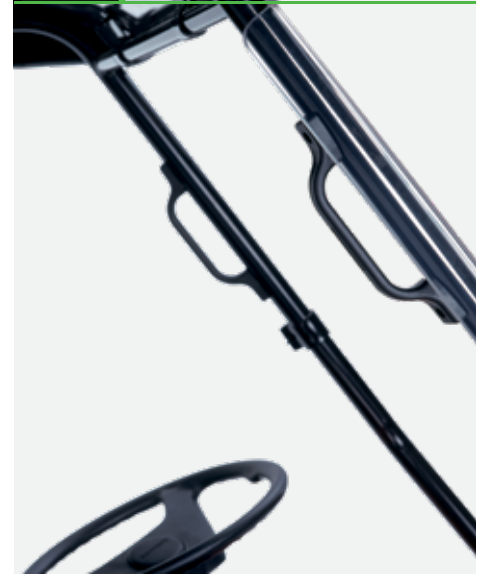


TRAILER HITCH



CHROME HITCH BALLS

## B Enter / Exit Grab Handle \*2 shown



## C Storage Cover



## D Utility Package



## D Utility Package

The MULE SX™ Utility Package includes the following accessories: Plastic Roof (KAF600-005B), Horn (99994-0455), Standard Side Mirror Set (99994-0855), Trailer Hitch (KAF600-026A), 2" Chrome Hitch Ball (KAF136)

MULE SX™ (17-19)

Utility Package ..... 99969-3757..... \$321.95

## E Open Range Package

The MULE SX™ Open Range Package includes the following accessories: KQR™ Fixed Windshield, Polycarbonate (99994-0852), Plastic Roof (KAF600-005B), LED Light Bar (KAF080-048), LED Light Bar Harness Kit (TX000-23), Brush Guard (99994-0734), Cargo Bed Mat (KAF550-030), Floor Mat (KAF600-029), KQR™ Cargo Box (TX000-01)

MULE SX™ (17-19)

Open Range Package ..... 99969-3758.. \$1,472.95

## F Adventure Package

The MULE SX™ Adventure Package includes the following accessories: KQR™ Fixed Windshield, Polycarbonate (99994-0852), Plastic Roof (KAF600-005B), Brush Guard (99994-0734), Standard Side Mirror Set (99994-0855)

MULE SX™ (17-19)

Adventure Package..... 99969-3759..... \$829.95

## E Open Range Package



## F Adventure Package



APPAREL

MULE™

TERRY®

ATV

SPORT / DUAL SPORT

OFFROAD PERFORMANCE

CRUISER

WATERCRAFT

WINCHES

ESSENTIALS

INDEX

# Kawasaki

Anti-Draft Panel .....	KAF600-031 .....	147
Back-Up Beeper .....	KAF600-024 .....	153
Back-Up Beeper, Switch.....	13151-1080.....	153
Back-Up Beeper, Gasket.....	92065-058.....	153
Beacon Strobe Light .....	KAF102 .....	146
Brush Guard .....	KAF600-001BWB.....	151
Cargo Bed Mat.....	KAF550-030.....	152
Cargo Bed Liner, Slip Resistant.....	KAF600-007B.....	152
Cargo Bed Liner, Standard.....	KAF600-006B.....	152
Chrome Hitch Ball, 1 7/8".....	KAF127 .....	153
Chrome Hitch Ball, 2" .....	KAF136 .....	153
Enter/Exit Grab Handle .....	KAF00-018 .....	153
Engine Bracket.....	32190-0639.....	154
Floor Mat.....	KAF600-029.....	148
Fixed Windshield.....	KAF600-019.....	149
Flip-Up Windshield.....	KAF600-018.....	149
Front CV Joint Guard Set .....	KAF600-004.....	151
Glass Windshield		
Replacement Gas Shock Mount.....	K44-0007R .....	146
Hard Cab Enclosure .....	KAF600-012B.....	145
Heater .....	KAF600-015A .....	147
Plow.....	KAF600-025.....	149
Plastic Roof .....	KAF600-005B.....	150
Rear Heavy-Duty Spring .....	92145-0400.....	146
Soft Cab Enclosure, Black.....	KAF600-035B.....	148
Soft Roof, Black.....	KAF600-023B.....	150
Soft Roof, Realtree® Xtra® Green (15-16).....	KAF600-023RTX .....	150
Soft Roof with Back.....	KAF600-033.....	150
Skid Plate , Main Middle.....	KAF600-008.....	151
Skid Plate , Sub Middle.....	KAF600-009.....	151
Seat Cover, Realtree® Xtra® Green.....	KAF600-032RTX .....	153
Seat Cover, Black .....	99994-1149.....	153
Switch Box.....	KAF00-001A .....	147
Slow Moving Vehicle Sign.....	KAF00-015.....	153
Storage Cover.....	KAF600-028B.....	154
Steel Door Set		
Aztec Red (05-08).....	KAF600-013R.....	145
Smokey Blue (10).....	KAF600-013BLU .....	145
Super Black (05-16) .....	KAF600-013BLK .....	145
Soft Door Set		
Aztec Red (05-08).....	KAF600-014R.....	145
Hunter Green (05).....	KAF600-014GH .....	145
Dark Royal Red (09-16) .....	KAF600-014DRR.....	145
Super Black (05-16) .....	KAF600-014BLK .....	145
Tail Light Guard.....	KAF600-003.....	151
Tonneau Cover, Black.....	KAF600-034B.....	152
Tonneau Cover,		
Realtree® AP HD® (10-11, 13-14).....	KAF600-034AP .....	152
Trailer Hitch.....	KAF600-026A .....	153
Universal Ignition Switch.....	27005-0625.....	147
Underseat Storage Bin.....	99999-0054.....	147
Windshield Washer .....	KAF81A .....	146
Windshield Wiper.....	KAF30-012.....	146
Winch Mount.....	KAF600-020.....	154
Winch Mount Adaptor 2WD .....	KAF600-021 .....	154





# MULE® 610 4x4 MULE® 600



APPAREL

MULE™

TERRY®

ATV

SPORT / DUAL SPORT

OFFROAD PERFORMANCE

CRUISER

WATERCRAFT

WINCHES

ESSENTIALS

INDEX

# MULE® 610 4x4 MULE® 600

## A Hard Cab Enclosure

Unitized construction for easy installation • Safety glass windshield included • Anti-draft panel (KAF600-031) recommended in cold or dusty areas • Doors, heater, and windshield wiper sold separately • Requires 2 Rear Heavy-Duty Springs (92145-0400), sold separately

Realtree APG-XTRA Camouflage Design ©2012 of Jordon Outdoor Enterprises, Ltd., All Rights Reserved

WARN®, the WARN logo and THE RED HOOK STRAP are registered trademarks of Warn Industries, Inc. ProVantage™ and Vantage™ are trademarks of Warn Industries, Inc.

MULE™ 610/600 (05-16)  
Hard Cab Enclosure ..... KAF600-012B.. \$2,245.95

## Steel Door Set

Door construction utilizes tubular steel frame design for greater strength and rigidity • Door sets include full-width rear window • Rotary door latches with key locks • Door stop cable limits door movement to prevent damage • Requires cab structure (KAF600-012B)

\* Item Not Shown \*

MULE™ 610/600 (05-16)  
Aztec Red (05-08)..... KAF600-013R.. \$1,279.95  
Smokey Blue (10)..... KAF600-013BLU.. \$1,269.95  
Super Black (05-16)..... KAF600-013BLK.. \$1,469.95

## B Soft Door Set

Door construction utilizes tubular steel frame design combined with long lasting UV resistant vinyl fabric • Door sets include full width rear window • Rotary door latches with key locks • Requires cab structure (KAF600-012B)

MULE™ 610/600 (05-16)  
Aztec Red (05-08)..... KAF600-014R..... \$779.95  
Hunter Green (05)..... KAF600-014GH..... \$759.95  
Dark Royal Red (09-16)..... KAF600-014DRR..... \$769.95  
Super Black (05-16)..... KAF600-014BLK..... \$875.95

## A Hard Cab Enclosure



## B Soft Door Set



## C Rear Heavy-Duty Spring



## D Windshield Washer



## F Replacement Gas Shock Mount



## E Windshield Wiper



## G Beacon Strobe Light



# MULE<sup>®</sup> 610 4x4 MULE<sup>®</sup> 600

## C Rear Heavy-Duty Spring

Required component for the Hard Cab Enclosure (99994-0849) • 2 required

MULE™ 610/600 (05-16)  
Rear Heavy-Duty Spring..... 92145-0400..... \$131.93

## D Windshield Washer

Flexible plastic container for cleaning solution  
• Pumps fluid to nozzles • Wiper removes fluid and residue • Not for use on polycarbonate windshields  
• Windshield Wiper (KAF30-012), sold separately

MULE™ 610/600 (05-16)  
Windshield Washer ..... KAF81A..... \$95.95

## E Windshield Wiper

508mm (20") Flex Blade • 110° sweep • Adjustable blade operating height • For use on Hard Cab Enclosure glass windshield • Will not work on Fixed or Flip-up Windshields • Hard Cab Enclosure (KAF600-012B) required

MULE™ 610/600 (05-16)  
Windshield Wiper..... KAF30-012..... \$219.95

## F Replacement Gas Shock Mount, Glass Windshield

Replacement gas shock mount for the glass windshield in MULE™ side x side cab structures

MULE™ 610/600 (05-16)  
Glass Windshield Replacement  
Gas Shock Mount..... K44-0007R..... \$35.95

## G Beacon Strobe Light

Provides a brilliant amber flashing light during vehicle operation • A true strobe light with low current requirements (0.4 Amps)

MULE™ 610/600 (09-17)  
Beacon Strobe Light .....KAF102..... \$175.95

APPAREL

MULE™

TERRY®

ATV

SPORT / DUAL SPORT

OFFROAD PERFORMANCE

CRUISER

WATERCRAFT

WINCHES

ESSENTIALS

INDEX

# MULE® 610 4x4 MULE® 600

## A Heater

Keep warm inside your MULE™ side x side with this heater featuring a 2-speed centrifugal blower

- This heater utilizes heat from the engine exhaust pipe to warm the cab
- Installs with included hardware under the seat between the driver and passenger
- Use of Anti-Draft Panel (KAF600-031) is recommended

MULE™ 610/600 (05-16)  
Heater ..... KAF600-015A..... \$499.95

## B Anti-Draft Panel

Fits under seat to prevent outside air and dust from entering cab

- Nylon reinforced waterproof fabric
- Keeps heated air inside cab in winter, hot air out in summer

MULE™ 610/600 (05-16)  
Anti-Draft Panel ..... KAF600-031..... \$202.95

## C Universal Ignition Switch

The Universal Ignition Switch allow the use of one key for many different vehicles

- Simply replace the stock ignition switch with the Universal Ignition Switch in all of the vehicles that you would like to use the same key

MULE™ 610/600 (05-16)  
Universal Ignition Switch..... 27005-0625..... \$54.95

## D Underseat Storage Bin

Large storage bin fits under passenger side of seat

- Lift seat bottom for access
- Approximately 3.6 gallon volume

MULE™ 610/600 (05-16)  
Underseat Storage Bin..... 99999-0054..... \$65.95

## E Switch Box

Organize accessory controls and simplify installation with this electrical switch panel and fuse block kit

- Six accessory circuits with easy connect terminals on the back of the box
- Each circuit has an individual lighted switch on the front panel
- A single 12V supply wire provides current for all accessories
- Labels are provided for all common accessories

MULE™ 610/600 (05-16)  
Switch Box..... KAF00-001A..... \$279.95

## A Heater



## B Anti-Draft Panel



## C Universal Ignition Switch



## D Underseat Storage Bin



## E Switch Box



**F** Floor Mat



**MULE® 610 4x4**  
**MULE® 600**

**F** Floor Mat

Tough 7.9mm (5/16") extra thick rubber helps protect feet and MULE™ floorboards • Reduces sound levels • MULE™ logo in center of mat

MULE™ 610/600 (05-16)  
Floor Mat..... KAF600-029..... \$98.95

**G** Soft Cab Enclosure

Full enclosure includes doors • Windows zip open for ventilation • Doors have magnetic latching • Metal framework • 600 Denier Sur Last® polyester water resistant material • Works with either Fixed (KAF600-019) or Flip-Up windshield (KAF600-018), sold separately

Remove for towing or use an enclosed trailer when transporting a vehicle with a Soft Cab Enclosure installed.

MULE™ 610/600 (05-16)  
Soft Cab Enclosure, Black..... KAF600-035B..... \$809.95

**G** Soft Cab Enclosure



APPAREL

MULE™

TERRY®

ATV

SPORT / DUAL SPORT

OFFROAD PERFORMANCE

CRUISER

WATERCRAFT

WINCHES

ESSENTIALS

INDEX

# MULE® 610 4x4 MULE® 600

## A Plow

Featuring a 1,524mm (60") blade and electric lift, this plow system is perfect for quickly clearing snow

- Cab-operated electric lift and five blade positions make snow removal faster and easier

- Electric lift included
- Five positions - center, 15 and 30 degrees, left and right
- Quick connection into 32mm (1 1/4") front receiver mount
- Not compatible with a winch installed

MULE™ 610/600 (05-16)

Plow..... KAF600-025.. \$2,329.95

## B Fixed Windshield

This high quality full-width windshield is made from durable polycarbonate and provides excellent protection from wind and dust

- The flexible center portion allows easy access to front storage compartment
- Easy installation and removal with included hardware
- Can be used alone, with a roof, or as a component of the Soft Cab Enclosure (KAF600-035B)

Remove for towing or use an enclosed trailer when transporting a vehicle with a Fixed Windshield installed at speeds greater than 25 mph

MULE™ 610/600 (05-16)

Fixed Windshield..... KAF600-019..... \$459.95

## C Flip-Up Windshield

Seamless one-piece design

- Allows full opening of storage compartment
- Strong and attractive domed shape
- Two-position latching - fully closed and vented
- Can be used alone, with a roof or as a component of the Soft Cab Enclosure (KAF600-038)
- Operating assist with gas springs

Remove for towing or use an enclosed trailer when transporting a vehicle with a Flip-Up Windshield installed at speeds greater than 25 mph

MULE™ 610/600 (05-16)

Flip-Up Windshield..... KAF600-018..... \$745.95



## D Plastic Roof



# MULE® 610 4x4 MULE® 600

## D Plastic Roof

Color impregnated, semi-rigid plastic • No supports needed • Use alone or with Fixed Windshield (KAF600-019) or Flip-Up Windshield (KAF600-018)

MULE™ 610/600 (05-16)  
Plastic Roof ..... KAF600-005B..... \$158.95

## E Soft Roof

Durable, weatherproof 18 oz. fiber-reinforced PVC laminate material • Installs easily with adjustable straps • Includes fiberglass support rod to shape peak • Use alone or with windshield

Remove for towing or use an enclosed trailer when transporting a vehicle with a Soft Roof installed

Realtree APG-XTRA Camouflage Design ©2012 of Jordon Outdoor Enterprises, Ltd., All Rights Reserved

MULE™ 610/600 (05-16)  
Black ..... KAF600-023B..... \$75.95  
Realtree® Xtra® Green (15-16) ..... KAF600-023RTX..... \$84.95

## E Soft Roof (Realtree® Xtra® Green)



## E Soft Roof (Black)



## F Soft Roof with Back

Durable, weatherproof 18 oz. fiber-reinforced PVC laminate material • Installs easily with durable straps • Includes fiberglass support rod to shape peak • Large, UV-resistant, vinyl rear window extends behind uprights to bottom of seat for added coverage • Produced from nylon reinforced rip-stop vinyl • Use alone or with KQR™ Fixed Windshield (99994-0852) or KQR™ Flip-Up Windshield (99994-0853)

Remove for towing or use an enclosed trailer when transporting a vehicle with a Soft Roof with Back installed

MULE™ 610/600 (05-16)  
Soft Roof with Back ..... KAF600-033..... \$119.95

## F Soft Roof with Back



APPAREL

MULE™

TERYX®

ATV

SPORT / DUAL SPORT

OFFROAD PERFORMANCE

CRUISER

WATERCRAFT

WINCHES

ESSENTIALS

INDEX

# MULE® 610 4x4 MULE® 600

## A Brush Guard

Made from 38mm (1 1/2") steel tubing with 2.1mm (.083") wall thickness for super tough protection

- Four widely separated mount points for extreme rigidity
- Fits with Plow (KAF600-025) installed
- Does not interfere with winch mounting or use
- Self-locking hardware

Realtree APG-XTRA Camouflage Design ©2012 of Jordon Outdoor Enterprises, Ltd., All Rights Reserved

MULE™ 610/600 (05-16)  
 Brush Guard ..... KAF600-001BWB..... \$265.95

## B Tail Light Guard

Helps protect tail light from accidental damage

- Mounts in original holes in bed

MULE™ 610/600 (05-16)  
 Tail Light Guard ..... KAF600-003..... \$90.95

## C Front CV Joint Guard Set

Metal cover helps protect drive shaft boots from damage

- Steel plate construction

MULE™ 610/600 (05-16)  
 Front CV Joint Guard Set ..... KAF600-004..... \$135.95

## D Skid Plate

Add additional coverage for the center areas and swing-arm pivots

- Steel plate construction

MULE™ 610/600 (05-16)  
 Main Middle Skid Plate ..... KAF600-008..... \$264.95  
 Sub Middle Skid Plate ..... KAF600-009..... \$114.95





## E Cargo Bed Mat



# MULE® 610 4x4 MULE® 600

## E Cargo Bed Mat

Tough 7.9mm ( $\frac{5}{16}$ " ) extra thick rubber protects cargo and bed surface • Prevents cargo from sliding • Reduces sound levels • MULE™ logo in the center of mat

MULE™ 610/600 (05-16)

Cargo Bed Mat..... KAF550-030..... \$66.95

## F Cargo Bed Liner

Divider notches to use 152mm (6") L x 51mm (2") W to compartmentalize bed • Matching cover for tailgate • Slip resistant features all of the benefits of the standard bed liner plus a treatment to increase surface friction helping to prevent cargo from sliding around • Requires drilling

MULE™ 610/600 (05-16)

Slip Resistant..... KAF600-007B..... \$105.95  
Standard..... KAF600-006B..... \$105.95

## G Tonneau Cover

Covers bed to protect cargo from weather and visibility • Internal pouch for small articles, papers, etc. • Securing strap to hold in open position • Metal framework with hinged front side • Dome shape allows water to flow off

MULE™ 610/600 (05-16)

Black..... KAF600-034B..... \$285.95  
Realtree® AP HD® (10-11, 13-14) ..... KAF600-034AP..... \$316.95

## F Cargo Bed Liner



## G Tonneau Cover



APPAREL

MULE™

TERYX®

ATV

SPORT / DUAL SPORT

OFFROAD PERFORMANCE

CRUISER

WATERCRAFT

WINCHES

ESSENTIALS

INDEX

# MULE® 610 4x4 MULE® 600

## A Seat Cover,

Black - Help protect your bench seat with these seat covers • Quick installation • Made from heavy black canvas • Features an elastic band along the cover's edge • O.E.M. quality fit

Realtree® Xtra® Green - Help protect your bench seat from the hunt while blending into your surroundings with these color-matched Realtree® Xtra® Green Seat Covers • Quick installation

- Made from heavy Realtree® Xtra® Green canvas
- Features an elastic band along the cover's edge
- O.E.M. quality fit

Realtree APG-XTRA Camouflage Design ©2012 of Jordon Outdoor Enterprises, Ltd., All Rights Reserved

MULE™ 610/600 (05-16)

Black .....	99994-1149.....	\$74.95
Realtree® Xtra® Green .....	KAF600-032RTX.....	\$76.95

## A Seat Cover (Realtree® Xtra® Green)



## A Seat Cover (Black)



## B Back-Up Beeper

Automatically activates loud beep sound when shifted to reverse • Easy installation with plunger switch • Requires Switch (13151-1080) and Gasket (92065-058)

MULE™ 610/600 (05-16)

Back-Up Beeper .....	KAF600-024.....	\$79.95
Back-Up Beeper, Switch .....	13151-1080.....	\$8.94
Gasket .....	92065-058.....	\$2.95

## B Back-Up Beeper



## C Trailer Hitch Components

Attaches to rear cross member of vehicle • Load rating determined by vehicle tow rating • Chrome Hitch Ball (KAF127 or KAF136), sold separately

MULE™ 610/600 (05-16)

Trailer Hitch .....	KAF600-026A.....	\$135.95
Chrome Hitch Ball, 2" .....	KAF136.....	\$16.95
Chrome Hitch Ball, 2" .....	KAF136.....	\$18.95



## D Enter/Exit Grab Handle

Facilitates entry and exit, especially with windshields or cabs installed • Heavy-duty soft-radius plastic handles • Universally mount on driver or passenger side

MULE™ 610/600 (05-16)

Enter/Exit Grab Handle .....	KAF00-018.....	\$36.95
------------------------------	----------------	---------

## D Enter / Exit Grab Handle



## E Slow Moving Vehicle Sign

Check your local requirements before use

MULE™ 610/600 (05-16)

Slow Moving Vehicle Sign .....	KAF00-015.....	\$24.95
--------------------------------	----------------	---------



## F Winch Mount



# MULE® 610 4x4 MULE® 600

## F Winch Mount

Required to install WARN® ProVantage™ or Vantage™ Winch • MULE™ 600 models also require Winch Mount Adaptor (KAF600-021) and Bracket (32190-0639)

WARN® Winch Choices:

- 3500S\* KW90387
- 3500\* KW90386
- 3000S\* KW90385
- 3000\* KW90384
- 2500S\* KW90383
- 2500\* KW90382
- 2000S KW90381
- 2000 KW90380

See Winch catalog for description.

- \*Not compatible with MULE™ 600 models.
- \*Not compatible with a plow installed.

WARN®, the WARN logo and THE RED HOOK STRAP are registered trademarks of Warn Industries, Inc. ProVantage™ and Vantage™ are trademarks of Warn Industries, Inc.

MULE™ 610/600 (05-16)

Winch Mount..... KAF600-020..... \$129.95

## G Winch Mount Adaptor 2WD



## G Winch Mount Adaptor 2WD

Required to install WARN® ProVantage™ or Vantage™ Winch • MULE™ 600 models also require Winch Mount Adaptor (KAF600-021) and Bracket (32190-021)

MULE™ 610/600 (05-16)

Winch Mount Adaptor 2WD ..... KAF600-021..... \$82.95

Engine Bracket..... 32190-0639..... \$19.90

## H Storage Cover

Durable polyester fabric resists UV damage

- Silkscreened Kawasaki logo
- Intended for indoor/outdoor storage

Remove for towing or use an enclosed trailer when transporting a vehicle with a Storage Cover installed

MULE™ 610/600 (05-16)

Storage Cover ..... KAF600-028B..... \$179.95

## H Storage Cover





\* Professional Riders on a Closed Course \*



\* Professional Riders on a Closed Course \*

# Kawasaki

KAWASAKI MOTORS CORP., U.S.A.

©2019 KAWASAKI MOTORS CORP., U.S.A.  
PRINTED IN USA

MANUFACTURER'S SUGGESTED RETAIL PRICES SHOWN. PRICES, PRODUCT AND SPECIFICATIONS ARE SUBJECT TO CHANGE WITHOUT NOTICE OR LIABILITY. AVAILABILITY IS SUBJECT TO PRODUCTION, STOCKING AND DEMAND.

P/N: K919FL-ACC

ALL TRADEMARKS, REGISTERED TRADEMARKS, LOGOS, AND COPYRIGHTS ARE THE PROPERTY OF THEIR RESPECTIVE OWNERS.



[WWW.KAWASAKI.COM](http://WWW.KAWASAKI.COM)