



MULE™

P R O S E R I E S L I N E



Kawasaki

PRO SERIES LINE TABLE OF CONTENTS

HARD CAB ENCLOSURE	1
AUDIO SYSTEMS	5
SEATS	7
MIRRORS	9
CAB	11
CURTIS® CABS / ACCESSORIES	17
SOFT CAB ENCLOSURE	23
ROOFS	29
WINDSHIELDS	33
WARN® PLOW	37
WARN® WINCHES	39
GUARDS	41
LIGHTING	49
BED ACCESSORIES	51
HUNTING	59
TOWING	61
COVERS	62



WARN®, the WARN logo and THE RED HOOK STRAP are registered trademarks of Warn Industries, Inc. ProVantage™ and Vantage™ are trademarks of Warn Industries, Inc.

MULE
PRO-FXR™

MULE
PRO-FXT®

MULE
PRO-DXT™

MULE
PRO-FX™

MULE
PRO-DX™

P A C K A G E B U I L D S

PRO-FXR PACKAGES63

PRO-FX / PRO-DX PACKAGES65

PRO-FXT / PRO-DXT PACKAGES67



RealTree APG-XTRA Camouflage Design ©2012 of
Jordan Outdoor Enterprises, Ltd., All Rights Reserved

HARD CAB ENCLOSURE

HARD CAB ENCLOSURE, MULE PRO-FXT™/DXT™

Hard Cab Enclosure - Transform The Way You Live

Outfitting your vehicle with a Hard Cab Enclosure helps provide in-cabin comfort and protection from the weather • Constructed of black double wall TPO plastic with steel framework • Installation of the Hard Cab Enclosure does not impact ease of vehicle transformation • Roof tilts on gas shocks for easy access to engine • Each door features lockable latches, sliding safety glass side windows, and built-in mesh storage compartments for storage of small items • Front Doors and Rear Doors are sold separately in sets of two • Clear sliding window partition between front and rear seats to allow for complete cab enclosure whether in 3 or 6 passenger mode

The MULE PRO-FXT™/PRO-DXT™ Hard Cab Enclosure required components include Hard Cab Enclosure Roof and Frame (KAF080-003), Front Door Set (KAF080-004), Rear Door Set (KAF080-005), KQR™ Full Windshield, Glass (KAF080-041) or KQR™ Full Windshield, Plastic (KAF080-001), and Heavy-Duty Spring Set (99994-0514), all sold separately • Optional cab components such as Heater (KAF080-008), Side Mirror Set (KAF080-014), Beacon Strobe Light (KAF080-028), Cargo Light (KAF080-031), LED Dome Light Set (KAF080-029), Cabin Fan (KAF080-042), Heater (KAF080-008), Windshield Washer (KAF080-024), Windshield Wiper (KAF080-011), Accessory Fuse Box (99994-1082) (18) or (KAF080-076) (15-17), Front Accessory Harness (KAF080-043), and Rear Accessory Harness (KAF080-044) are also sold separately

Remove for towing or use an enclosed trailer when transporting a vehicle with a Hard Cab Enclosure installed.

MULE PRO-FXT™ (15-19), MULE PRO-DXT™ (16-19)	
Roof and Frame.....	KAF080-003 \$2,619.95
Front Door Set (set of 2)	KAF080-004 \$1,689.95
Rear Door Set (set of 2)	KAF080-005 \$1,689.95
KQR™ Full Windshield, Glass.....	KAF080-041 \$709.95
KQR™ Full Windshield, Plastic.....	KAF080-001 \$599.95

HEAVY DUTY SPRING SET

Heavy-Duty Springs increase bottoming resistance when carrying a heavy load and/or when heavy accessories such as a Kawasaki Genuine Hard Cab Enclosure (KAF080-003) or Plow System are installed • Steel springs with gloss black finish: Two front springs and two rear springs included • Direct replacement of stock springs

MULE PRO-FXT™ (15-19), MULE PRO-DXT™ (16-19)	
Heavy Duty Spring Set.....	99994-0514 \$234.95

REPLACEMENT ROOF

Replacement roof for the Hard Cab Enclosure (KAF080-003)

MULE PRO-FXT™ (15-19), MULE PRO-DXT™ (16-19)	
Replacement Roof.....	KAF080-056 \$1,299.95



HEAVY DUTY SPRING SET



MULE
PRO-FXR™

MULE
PRO-FXT™

MULE
PRO-DXT™

MULE
PRO-FX™

MULE
PRO-DX™



HARD CAB ENCLOSURE



HARD CAB ENCLOSURE, MULE PRO-FX™/DX™

The Hard Cab Enclosure helps provide in-cabin comfort and occupant protection from the weather • Constructed of double wall TPO plastic with a steel framework • Two large fresh air vents on top portion of rear window of cab to help increase ventilation • Each door features lockable latches, sliding safety-glass side windows, and built-in mesh storage compartments for storage of small items • Doors are sold separately in sets of two

Hard Cab Enclosure required components include Hard Cab Enclosure Roof (KAF080-060), Hard Cab Enclosure Rear Panel (KAF080-061), Hard Cab Enclosure Door Set (KAF080-062), and KQR™ Full Windshield, Glass (KAF080-041) or KQR™ Full Windshield, Plastic (KAF080-001), all sold separately • Optional cab components such as Heavy-Duty Spring Set (99994-0514), Heater (KAF080-008), Side Mirror Set (KAF080-014), Beacon Strobe Light (KAF080-079), Cargo Light (KAF080-078), LED Dome Light (KAF080-035), Cabin Fan (KAF080-023), Windshield Washer (KAF080-024), Windshield Wiper (KAF080-011), Accessory Fuse Box (99994-1082) (18) or (KAF080-076) (15-17), Front Accessory Harness (KAF080-043), and Rear Accessory Harness (KAF080-044) are also sold separately

Remove for towing or use an enclosed trailer when transporting a vehicle with a Hard Cab Enclosure installed

MULE PRO-FX™ (16-19), MULE PRO-DX™ (16-19)

Roof	KAF080-060	\$699.95
Rear Panel	KAF080-061	\$814.95
Door Set	KAF080-062	\$2,779.95
KQR™ Full Windshield, Plastic.....	KAF080-001	\$599.95
KQR™ Full Windshield, Glass.....	KAF080-041	\$709.95

HEAVY DUTY SPRING SET

Heavy-Duty Springs increase bottoming resistance when carrying a heavy load and/or when heavy accessories such as a Kawasaki Genuine Hard Cab Enclosure (KAF080-060) or Plow System are installed • Optional on MULE PRO-FX™ / MULE PRO-DX™ • Steel springs with gloss black finish: Two front springs and two rear springs included • Direct replacement of stock springs

MULE PRO-FX™ (16-19), MULE PRO-DX™ (16-19)

Heavy Duty Spring Set.....	99994-0514.....	\$234.95
----------------------------	-----------------	----------



HEAVY DUTY SPRING SET

MULE
PRO-FXR™

MULE
PRO-FXT™

MULE
PRO-DXT™

MULE
PRO-FX™

MULE
PRO-DX™



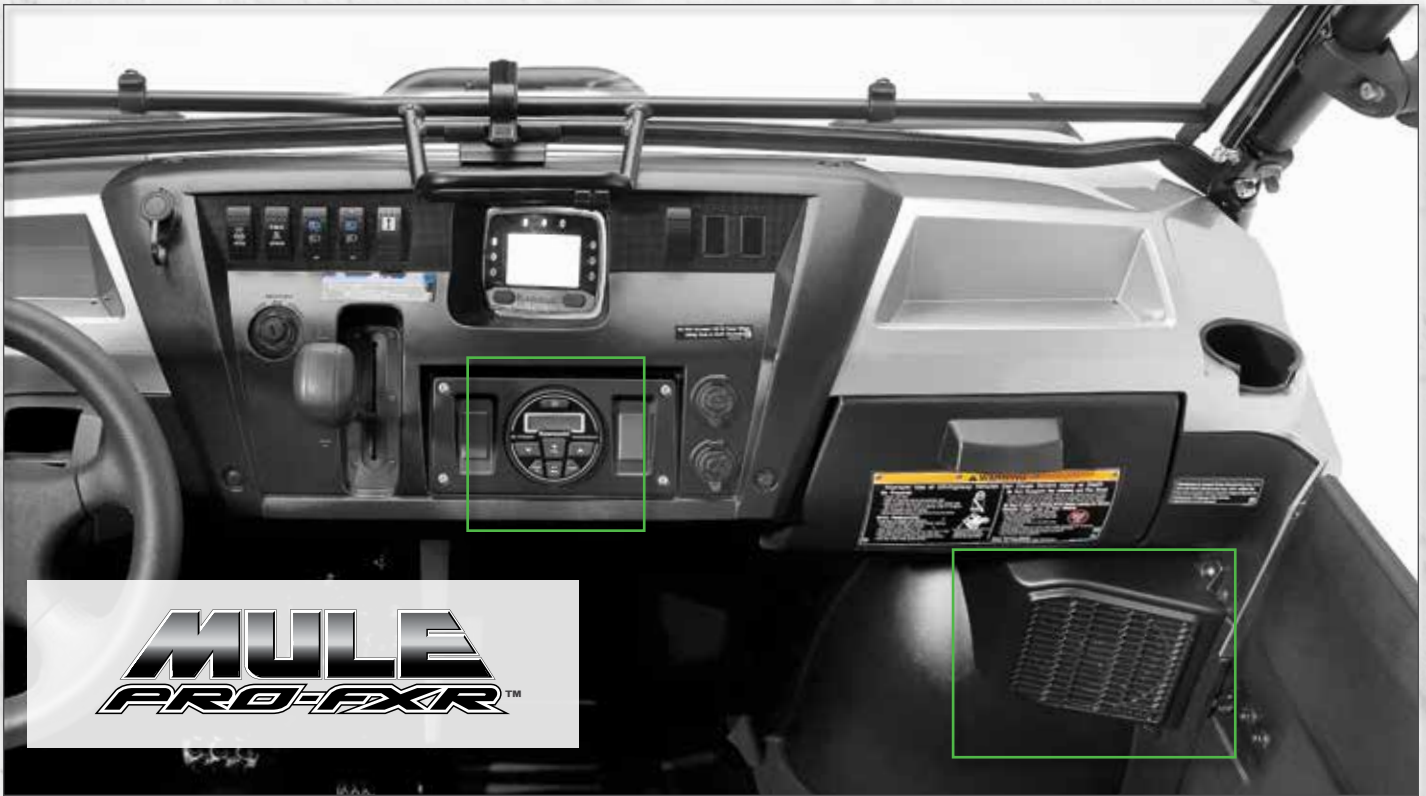
AUDIO SYSTEM



AUDIO SYSTEM - SPEAKERS



AUDIO SYSTEM - STEREO UNIT



MULE
PRO-FXR™

AUDIO SYSTEM

The Audio System is engineered to consistently deliver great sound • Center mount Audio System controller is designed to integrate into your machine, and features an AM/FM Bluetooth™ radio • The Audio System utilizes a four channel 180 watt internal amplifier and powers four high end speakers • Speakers are mounted in composite enclosures 2 below the dash and 2 on the ROPS • These enclosures help resist the elements and add to the sound quality of the high and low frequencies • The Audio System installs easily in your MULE PRO-FXR™ side x side

ADDITIONAL STEREO FEATURES:

AM/FM/Bluetooth™/USB stereo • 10m (32') Bluetooth™ Range • Large LCD display with backlit controls • 40w x 4 maximum output for powerful sound • RCA amplifier line-out • Two additional accessory switch knockouts located in mounting plate • Large waterproof buttons for Play/Pause, Tracks Forward/Back, Volume Up/Down and Power On/Off functions that are easy to operate with riding gloves on

ADDITIONAL SPEAKER FEATURES:

4 165mm (6.5") Waterproof 2-way full range speakers • Protected against sun fade with UVA paint coating • Conformal coated crossover components help protect against dust and sand • 12dB Butterworth Internal crossover for smooth transition from high to lower frequencies • High temperature composite enclosure secure the speakers to the machine and aide in assuring deep bass • Bridged woofers/tweeters • 19mm (.75") pure titanium dome tweeter • Composite poly cone provides sharp deep bass while remaining waterproof • High energy strontium ferrite magnet for higher output with minimal amplifier power • 300 watts peak power handling • 150 watts RMS power handling

MULE PRO-FXR™ (18-19)

Audio System99994-0966.....\$599.95



AUDIO SYSTEM



CENTER CONSOLE

Store small tools, important documents and additional items in this durable water-resistant Center Console • Hinged lid locks into place when closed • Dual drink holders molded into console • Console is covered with a 19mm (3/4") thick foam pad for driver and passenger comfort • Attaches quickly and easily to the front bench seat in the center passenger position with provided shock cords • Made of roto-molded HDPE with a textured black finish • Dimensions of Center Console are 533mm (21") L x 260mm (10 1/4") W x 203 (8") H
MULE PRO-FXR™ (18-19), MULE PRO-FXT™ (15-19), MULE PRO-DXT™ (16-19), MULE PRO-FX™ (16-19), MULE PRO-DX™ (16-19)
 Center ConsoleKAF080-032\$119.95

CENTER CONSOLE



THIS CENTER CONSOLE FITS ALL MULE™ PRO SERIES SIDE X SIDE MODELS.

AUDIO SYSTEM

Built to withstand the elements, this compact Audio System is packed with features that make listening to audio in remote locations a reality • Located within the polyethylene plastic housing is a compact marine grade 4" AM/FM stereo, two compact 3" marine grade speakers, USB and AUX input adaptor and amplified internal antenna • The USB input allows for the playback of MP3/WMA (windows media audio) files from compatible flash drives • The system is pre-assembled and ready to securely mount to your dash with a simple two-wire, plug-and-play installation

ADDITIONAL STEREO FEATURES:

AM/FM/USB stereo • Long-range amplified internal antenna provides amazing clarity • Large, daylight readable LCD display with blue backlit controls for a user-friendly interface • Marine grade IPX6 waterproof design • 40w x 4 maximum output for powerful sound • RCA amplifier line-out • Audio tone, balance, and fade controls

ADDITIONAL SPEAKER FEATURES:

3" marine grade 2-way speakers • Waterproof, corrosion and UV resistant • Bridged woofers/tweeters • Rubber suspension polypropylene cones • 60 watts max power • 30 watts RMS power

MULE PRO-FXT™ (15-19), MULE PRO-DXT™ (16-19), MULE PRO-FX™ (16-19), MULE PRO-DX™ (16-19)
 Audio SystemKAF080-019\$499.95



CONTOURED FRONT SEAT



UNDERSEAT STORAGE BIN (2015-2019)

SEATS



WARN, the WARN logo and THE RED HOOK STRAP are registered trademarks of Warn Industries, Inc. ProVantage™ and Vantage™ are trademarks of Warn Industries, Inc.



UNIVERSAL IGNITION SWITCH

CONTOURED FRONT SEAT

Thick cushioned seat provides superior comfort • Contoured seat bottom cups driver and passenger into the seat • Durable seat material remains flexible in cool temperatures • Not for rear seat replacement in MULE PRO-FXT™, MULE PRO-DXT™ side x sides

MULE PRO-FXR™ (18-19), MULE PRO-FXT™ (15-19), MULE PRO-DXT™ (16-19), MULE PRO-FX™ (16-19), MULE PRO-DX™ (16-19)

Contoured Front Seat 99994-0874 \$329.95

UNDERSEAT STORAGE BIN

Storage space is always at premium, especially when on the trail or at the job site • Add an additional 28 liters of storage capacity securely and out of sight with this easy-to-access Underseat Storage Bin • Mounts under front bench seat with no added hardware • Polyethylene construction • Matching snap-on lid to keep your cargo protected • Storage Bin removes easily for cleaning once installed

MULE PRO-FXR™ (18-19), MULE PRO-FXT™ (15-19), MULE PRO-DXT™ (16-19), MULE PRO-FX™ (16-19), MULE PRO-DX™ (16-19)

Underseat Storage Bin..... 99994-1029 \$139.95

UNIVERSAL IGNITION SWITCH

The Universal Ignition Switch allows the use of one key for many different vehicles • Simply replace the stock ignition switch with the Universal Ignition Switch in all of the vehicles with which you would like to use the same key

MULE PRO-FXR™ (18-19), MULE PRO-FXT™ (15-19), MULE PRO-DXT™ (16-19), MULE PRO-FX™ (16-19), MULE PRO-DX™ (16-19)

Universal Ignition Switch 27005-0626 \$49.95

FLOOR MAT SET

These 4.7mm (3/16") extra thick rubber mats have been molded for a perfect fit and mount directly to the floorboard to help prevent movement while operating • The extra thick rubber also helps to reduce sound levels caused from vibration

MULE PRO-FXR™ (18-19), MULE PRO-FXT™ (15-19), MULE PRO-DXT™ (16-19), MULE PRO-FX™ (16-19), MULE PRO-DX™ (16-19)

Front Floor Mat Set..... KAF080-033 \$144.95

MULE PRO-FXT™ (15-19), MULE PRO-DXT™ (16-19)
Rear Floor Mat Set KAF080-034 \$134.95



FLOOR MAT SET



PREMIUM SIDE MIRROR SET



STANDARD SIDE MIRROR SET

MIRRORS



SIDE MIRROR SET



REARVIEW MIRROR



PREMIUM SIDE MIRROR SET

Horizontal shatter-resistant safety glass mirror sits in cast aluminum armored housing • Convex mirror surface increases the driver's field of view

- Adaptive 360° bracket rotation provides optimal viewing position
- An enclosed floating mirror mount helps adjust and protect the mirror within its housing • Kawasaki logos are embossed on the seal cap and back • Cap is weather sealed to help protect the hardware from moisture and debris • Mirrors attach directly to vehicle ROPS • Not compatible with Soft Cab Enclosures

MULE PRO-FXR™ (18-19), MULE PRO-FXT™ (15-19), MULE PRO-DXT™ (16-19), MULE PRO-FX™ (16-19), MULE PRO-DX™ (16-19)
Premium Side Mirror Set..... 99994-0856 \$154.95

STANDARD SIDE MIRROR SET

Vertical shatter-resistant safety glass mirror sits in high-impact plastic housing • Convex mirror surface increases the driver's field of view

- Adaptive 360° bracket rotation provides optimal viewing position
- Mirrors attach directly to vehicle ROPS • Not compatible with Soft Cab Enclosures

MULE PRO-FXR™ (18-19), MULE PRO-FXT™ (15-19), MULE PRO-DXT™ (16-19), MULE PRO-FX™ (16-19), MULE PRO-DX™ (16-19)
Standard Side Mirror Set..... 99994-0855 \$59.95

SIDE MIRROR SET

Mirrors are enclosed in a durable black housing • Easily installs to your Front Hard Cab Enclosure Door Set (KAF080-004) or Hard Cab Enclosure Door Set (KAF080-062) • MULE Pro-FXT™/DXT™ Hard Cab Enclosure (KAF080-003) or MULE Pro-FX™/DX™ Hard Cab Enclosure (KAF080-060) and related components required

MULE PRO-FXT™ (15-19), MULE PRO-DXT™ (16-19), MULE PRO-FX™ (16-19), MULE PRO-DX™ (16-19)
Side Mirror Set..... KAF080-014..... \$119.95

REARVIEW MIRROR

3D curved safety glass mirror provides increased field of view • Textured black powder coating • Aluminum mounting with 43mm diameter clamp

- 273mm (10 3/4") L x 89mm (3 1/2") H

MULE PRO-FXR™ (18-19), MULE PRO-FXT™ (15-19), MULE PRO-DXT™ (16-19), MULE PRO-FX™ (16-19), MULE PRO-DX™ (16-19)
Rearview Mirror..... TX750-077..... \$59.95

CAB

HEADREST

Offers additional occupant comfort • Made from high-density foam with a molded Kawasaki logo • Sold as an individual headrest

MULE Pro-FX™/DX™ Headrest Bracket (99994-0955) required for mounting Headrest (99994-0859) • MULE Pro-FXR™ Headrest Bracket (99994-0972) required for mounting Headrest (99994-0859) • Black powder coated steel brackets for long lasting finish quality

MULE PRO-FXR™ (18-19), MULE PRO-FX™ (16-19), MULE PRO-DX™ (16-19)

Headrest..... 99994-0859 \$89.95

PRO-FXR™ (18-19)

Headrest Bracket..... 99994-0972 \$24.95

MULE PRO-FX™ (16-19), MULE PRO-DX™ (16-19)

Headrest Bracket..... 99994-0955 \$24.95

SEAT COVER

Help protect your front and rear bench seats • Quick installation

- Made from heavy black or Realtree® Xtra® Green canvas
- Features an elastic band along the cover's edge • Machine washable • One seat top cover and one backrest cover included
- Two kits required to outfit both front and rear bench seats

Realtree APG-XTRA Camouflage Design ©2012 of Jordon Outdoor Enterprises, Ltd., All Rights Reserved

MULE PRO-FXT™ (15-19), MULE PRO-DXT™ (16-19), MULE PRO-FX™ (16-19), MULE PRO-DX™ (16-19)

Black 99994-1151 \$83.95

Realtree® Xtra® Green KAF080-039 \$76.95





HEADREST / HEADREST BRACKET



SEAT COVER - BLACK



SEAT COVER - REALTREE® XTRA GREEN

CABIN FAN

Increases airflow within the Hard Cab Enclosure by drawing in outside air • Mounts to top of Hard Cab Enclosure Roof • Conveniently operated by dash mounted switch • Dealer installation recommended • MULE Pro-FXT™/DXT™ Hard Cab Enclosure (KAF080-003) or MULE Pro-FX™/DX™ Hard Cab Enclosure (KAF080-060) and related components required • Also requires Kawasaki Genuine Accessory Fuse Box (99994-1082) (18-19) or (KAF080-076) (15-17) and Rear Accessory Harness (KAF080-044) to operate

MULE PRO-FXT™ (15-19), MULE PRO-DXT™ (16-19), MULE PRO-FX™ (16-19), MULE PRO-DX™ (16-19)
Cabin Fan KAF080-023 \$249.95

LED DOME LIGHT SET

LED Dome Light illuminates the interior of your vehicle's cabin • Battery operated design allows for a quick, wireless installation • Black light housing • Hard Cab Enclosure (KAF080-003) and related components required • Battery CR2450

MULE PRO-FXT™ (15-19), MULE PRO-DXT™ (16-19)
LED Dome Light Set KAF080-029 \$54.95

LED DOME LIGHT

LED Dome Light illuminates the interior of your vehicle's cabin • Battery operated design allows for a quick, wireless installation • Black light housing • Hard Cab Enclosure (KAF080-060) and related components required • Battery CR2450

MULE PRO-FX™ (16-19), MULE PRO-DX™ (16-19)
LED Dome Light KAF080-035 \$35.95

HEATER

This fully integrated system dramatically improves in-cabin comfort during those cold mornings and long winters • Utilizes the heat generated from your engine's liquid cooling system • Distributes hot air throughout the cabin via two adjustable floor vents • The system also features a windshield defroster vent to eliminate condensation or clear frost from your windshield • 2-speed blower • 22,000 BTU • Durable textured black powder coating • Can be used alone or as an optional component of the Soft Cab Enclosure or Hard Cab Enclosure • Must be installed prior to Hard Cab Enclosure installation

MULE PRO-FXR™ (18-19), MULE PRO-FXT™ (15-19), MULE PRO-DXT™ (16-19), MULE PRO-FX™ (16-19), MULE PRO-DX™ (16-19)
Heater KAF080-008 \$699.95

WINDSHIELD WASHER

Directs washing fluid onto accessory glass windshield • Flexible plastic container holds cleaning solution • For use on glass windshield only • Hard Cab Enclosure (KAF080-003) required • Requires Glass Windshield (KAF080-041), Windshield Wiper (KAF080-011), and Accessory Fuse Box (99994-1082) (18) or (KAF080-076) (15-17)

MULE PRO-FXR™ (18-19), MULE PRO-FXT™ (15-19), MULE PRO-DXT™ (16-19), MULE PRO-FX™ (16-19), MULE PRO-DX™ (16-19)
Windshield Washer KAF080-024 \$180.95

WINDSHIELD WIPER

Clear debris off the windshield with our Windshield Wiper • The kit mounts to the upper center portion of your windshield • Switch operated • Features a 110° sweep radius • 20" black flex blade • Windshield Washer (KAF080-024) recommended • For use on glass windshield only • Hard Cab Enclosure (KAF080-003) and related components required • Requires KQR™ Full Windshield, Glass (KAF080-041), Front Accessory Harness (KAF080-043) and Accessory Fuse Box (99994-1082) (18-19) or (KAF080-076) (15-17)

MULE PRO-FXR™ (18-19), MULE PRO-FXT™ (15-19), MULE PRO-DXT™ (16-19), MULE PRO-FX™ (16-19), MULE PRO-DX™ (16-19)
Windshield Wiper KAF080-011 \$259.95

DUAL DC POWER OUTLET KIT

Dual 12V DC power sockets for rear seat area • Installs at panel and plugs into vehicle wiring harness • Waterproof caps • Requires Accessory Fuse Box (99994-1082) (18-19) or (KAF080-076) (15-17) and Front Accessory Harness (KAF080-043)

MULE PRO-FXT™ (15-19), MULE PRO-DXT™ (16-19)
Dual DC Power Outlet Kit 99994-0595 \$68.95

CABIN FAN





LED DOME LIGHT SET



HEATER



WINDSHIELD WASHER



WINDSHIELD WIPER



DUAL DC POWER OUTLET KIT





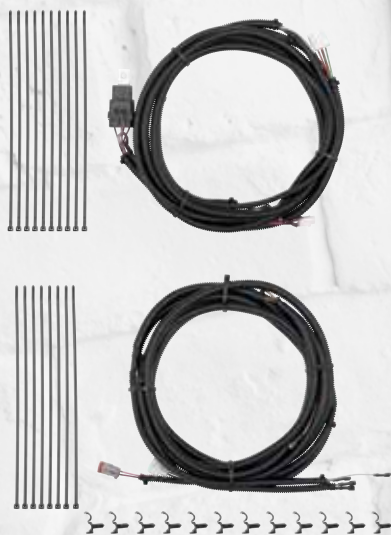
CARGO LIGHT - MULE PRO-FXR™



CARGO LIGHT - MULE PRO-FXT™ / PRO-DXT™



CARGO LIGHT - MULE PRO-FX™ / PRO-DX™



ACCESSORY HARNESS



ACCESSORY FUSE BOX

CARGO LIGHT

Illuminate your cargo or simply shed some light on the rear of your vehicle • 76mm x 76mm (3" x 3") cube light with 4 LEDs using flood beam pattern reflectors • Cast aluminum housing with black powder coating • Includes mounting bracket and hardware • Operated by included dash mounted switch • Mounts to Plastic Roof • Requires Cargo Light Harness & Bracket Kit (99994-0970) to operate

MULE PRO-FXR™ (18-19)

Cargo Light 99994-1109 \$99.95
Cargo Light Harness & Bracket Kit.. 99994-0970 \$119.95

CARGO LIGHT

Working late into the night? Illuminate your cargo or simply shed some light on the rear of your vehicle • LED flood light • 1100 lumens • Cast aluminum housing with black powder coat finish • Includes mounting bracket and hardware to mount Cargo Light to Hard Cab Enclosure • Conveniently operated by dash mounted switch • Mounts to Hard Cab Enclosure • Hard Cab Enclosure (KAF080-003) and related components required • Mounting position varies per model • Requires Kawasaki Genuine Accessory Fuse Box (99994-1082) (18-19) or (KAF080-076) (15-17) and Rear Accessory Harness (KAF080-044) to operate

MULE PRO-FXT™ (15-19), MULE PRO-DXT™ (16-19)

Cargo Light KAF080-031 \$379.95

MULE PRO-FX™ (16-19), MULE PRO-DX™ (16-19)

Cargo Light KAF080-078 \$379.95

ACCESSORY HARNESS

Power your vehicle's electronic accessories the easy way • The Front and Rear Accessory Harnesses offer a convenient plug-in location for mounted accessories and routes otherwise unsightly wires through pre-molded channels in the Hard Cab Enclosure Roof • MULE Pro-FXT™/DXT™ Hard Cab Enclosure (KAF080-003) or MULE Pro-FX™/DX™ Hard Cab Enclosure (KAF080-060) and related components may be required

MULE PRO-FXT™ (15-19), MULE PRO-DXT™ (16-19), MULE PRO-FX™ (16-19), MULE PRO-DX™ (16-19)

Front Accessory Harness KAF080-043 \$99.95
Rear Accessory Harness KAF080-044 \$69.95

ACCESSORY FUSE BOX

The Accessory Fuse Box allows for the seamless integration and the convenience of operating up to 6 Kawasaki Genuine Accessories from the comfort and confines of your vehicle's cabin • Required for installation of WARN® ProVantage™ Plow Systems and Winches

WARN®, the WARN logo and THE RED HOOK STRAP are registered trademarks of Warn Industries, Inc. ProVantage™ and Vantage™ are trademarks of Warn Industries, Inc.

MULE PRO-FXT™ (18-19), MULE PRO-DXT™ (18-19), MULE PRO-FX™ (18-19), MULE PRO-DX™ (18-19), MULE PRO-FXR™ (18-19)

Accessory Fuse Box (18-19) 99994-1082 \$329.95

MULE PRO-FXT™ (15-17), MULE PRO-DXT™ (16-17), MULE PRO-FX™ (16-17), MULE PRO-DX™ (16-17)

Accessory Fuse Box (15-17) KAF080-076 \$319.95

LED BEACON STROBE LIGHT

Industrial grade components • LED bulbs • 40W / 12-80VDC • Acrylic amber colored lens and nylon base • SAE J575 and J845 compliant and waterproof to IP67 rating • Hard Cab Enclosure (KAF080-003) and related components required • MULE Pro-FXT™/DXT™ Hard Cab Enclosure (KAF080-003) or MULE Pro-FX™/DX™ Hard Cab Enclosure (KAF080-060) and related components required • Also requires Kawasaki Genuine Accessory Fuse Box (99994-1082) (18-19) or (KAF080-076) (15-17) and Rear Accessory Harness (KAF080-044) to operate

MULE PRO-FXT™ (15-19), MULE PRO-DXT™ (16-19)

LED Beacon Strobe Light KAF080-028 \$599.95

MULE PRO-FX™ (16-19), MULE PRO-DX™ (16-19)

LED Beacon Strobe Light KAF080-079 \$419.95



LED BEACON STROBE LIGHT



HARD CAB ENCLOSURE WITH POLYCARBONATE WINDSHIELD

CURTIS®

HARD CAB ENCLOSURE BY CURTIS®

The Hard Cab Enclosure helps provide comfort by providing the operator with protection from the weather, drafts, dust, and moisture • Commercial grade steel, textured powder-coated finish cab • Choose either vented AS1 Glass Windshield (1KAPFXTCAS1) or Polycarbonate Windshield (1KAPFXTCA) Hard Cab Enclosure • Rear panel with safety glass door slider to help increase ventilation • Total weather seal design • Acoustic headliner • Windshield and doors assisted with gas shocks • Each door features lockable latches and safety glass removable sliders for more ventilation • Optional steel center panel with slider (1KAPFXTCP) or soft center panel (1KAPFXTCPS)

Requires Heavy-Duty Springs (99994-0514), sold separately. Optional cab accessories such as Front Windshield Wiper (1KAPFXWK), In-Dash Heater (9PH20S61), Accessory Fuse Box (1KAPFXFP), Low-Profile Front Lights (1KAPFXFWL), Low Profile Rear Work Lights (1KAPFXRWL), Corner Flasher Kit (1KAPFXCFL), Roof Mount Beacon Strobe Light (9LEDS2), LED Dome Light Set (9LEDD14), Side Mirror Kit (99994-0905), Rear View Mirror (9PM3) are also sold separately.

MULE PRO-FXT™ (15-19), MULE PRO-DXT™ (16-19)

Hard Cab Enclosure with Polycarbonate Windshield.....	1KAPFXTCA	\$6,480.00
Hard Cab Enclosure with AS1 Glass Windshield.....	1KAPFXTCAS1	\$6,680.00
Optional FXT Hard Center Panel	1KAPFXTCP	\$690.00
Optional FXT Soft Center Panel	1KAPFXTCPS	\$300.00

HARD CAB ENCLOSURE



AS1 GLASS WINDSHIELD



FXT SOFT CENTER PANEL



HARD CAB ENCLOSURE

CURTIS®

HARD CAB ENCLOSURE BY CURTIS®

The Hard Cab Enclosure helps provide comfort by providing the operator with protection from the weather, drafts, dust, and moisture • Commercial grade steel, textured powder-coated finish cab • Choose either vented AS1 Glass Windshield (1KAPFXTCA) or Polycarbonate Windshield (1KAPFXTCA) Hard Cab Enclosure • Rear panel with safety glass door slider to help increase ventilation • Total weather seal design • Acoustic headliner • Windshield and doors assisted with gas shocks • Each door features lockable latches and safety glass removable sliders for more ventilation

Requires Heavy-Duty Springs (99994-0514), sold separately. Optional cab accessories such as Front Windshield Wiper (1KAPFXWK), In-Dash Heater (9PH20S61), Accessory Fuse Box (1KAPFXFP), Low-Profile Front Lights (1KAPFXFWL), Low Profile Rear Work Lights (1KAPFXRWL), Corner Flasher Kit (1KAPFXCFL), Roof Mount Beacon Strobe Light (9LEDS2), LED Dome Light Set (9LEDD14), Side Mirror Kit (99994-0905), Rear View Mirror (9PM3) are also sold separately.

MULE PRO-FX™ (16-19), MULE PRO-DX™ (16-19)

Hard Cab Enclosure with Polycarbonate Windshield.....	1KAPFXCA	\$4,100.00
Hard Cab Enclosure with AS1 Glass Windshield.....	1KAPFXCAS1	\$4,300.00

HARD CAB ENCLOSURE



AS1 GLASS WINDSHIELD



POLYCARBONATE WINDSHIELD

CURTIS®

HEATER (IN-DASH) BY CURTIS®

Fully integrated, under-hood design provides excellent fit and finish • No cabin heater box inside the cab to encroach on passenger leg room • Utilizes the heat generated from the engine's liquid cooling system • Two 360-degree adjustable louvers on the dash provide full windshield defrost • Two additional adjustable downward facing outlets distribute heat evenly throughout the cab • 2-speed blower • Illuminated dash switch • An in-line shutoff valve easily converts the heater to a fan/blower for added cab ventilation during warm weather operation • Prewired and includes wire harness needed for installation

MULE PRO-FXT™ (15-19), MULE PRO-DXT™ (16-19), MULE PRO-FX™ (16-19), MULE PRO-DX™ (16-19)
Heater (In-Dash)..... 9PH20S61 \$800.00

ACCESSORY FUSE PANEL KIT BY CURTIS®

Six position Accessory Fuse Panel with grounded block included • Plug & Play style wiring, pre-terminated • Includes dust cover • Required for installation of various electrical accessories

MULE PRO-FXT™ (15-19), MULE PRO-DXT™ (16-19), MULE PRO-FX™ (16-19), MULE PRO-DX™ (16-19)
Accessory Fuse Panel Kit 1KAPFXFP \$320.00

WINDSHIELD WIPER KIT BY CURTIS®

Help improve visibility during a rain / snow storm or clear debris off the windshield with an automotive style Windshield Wiper • The Wiper features a 172 degree sweep • Kit includes motor, blade arm, flex blade, wire harness and console rocker switch • Blade lengths: 14" blade for AS1 glass windshield; 16" blade for polycarbonate windshield • Hard Cab Enclosure (1KAPFXCA, 1KAPFXCAS1, 1KAPFXTCA or 1KAPFXTCAS1) required • Requires Fuse Panel Kit (1KAPFXFP), sold separately

MULE PRO-FXT™ (15-19), MULE PRO-DXT™ (16-19), MULE PRO-FX™ (16-19), MULE PRO-DX™ (16-19)
Windshield Wiper Kit 1KAPFXWK \$350.00

REARVIEW MIRROR BY CURTIS®

Interior rearview mirror mounts to roof • Hard Cab Enclosure (1KAPFXCA, 1KAPFXCAS1, 1KAPFXTCA or 1KAPFXTCAS1) required

MULE PRO-FXT™ (15-19), MULE PRO-DXT™ (16-19), MULE PRO-FX™ (16-19), MULE PRO-DX™ (16-19)
Rearview Mirror 9PM3 \$70.00

ROOF MOUNT BEACON STROBE LIGHT BY CURTIS®

Help increase your visibility with a roof-mount beacon strobe light • Kit comes with switch and wire harness for installation to the roof of your vehicle • Three different flash modes • Hard Cab Enclosure (1KAPFXCA, 1KAPFXCAS1, 1KAPFXTCA or 1KAPFXTCAS1) required • Requires Fuse Panel Kit (1KAPFXFP), sold separately

MULE PRO-FXT™ (15-19), MULE PRO-DXT™ (16-19), MULE PRO-FX™ (16-19), MULE PRO-DX™ (16-19)
Roof Mount Beacon Strobe Light 9LEDS2 \$160.00

DOME LIGHT BY CURTIS®

LED swivel dome light – super bright directional LED dome light can spin, swivel and tilt to direct light to where you need it most • Kit includes prewired harness • Requires Accessory Fuse Panel Kit (1KAPFXFP), sold separately

MULE PRO-FXT™ (15-19), MULE PRO-DXT™ (16-19), MULE PRO-FX™ (16-19), MULE PRO-DX™ (16-19)
Dome Light 9LEDD14 \$100.00

CORNER FLASHERS KIT BY CURTIS®

Three bright LED amber lights at all 4 corners of the roof flash and increase visibility • Prewired and includes wire harness needed for installation • Requires Fuse Panel Kit (1KAPFXFP), sold separately

MULE PRO-FXT™ (15-19), MULE PRO-DXT™ (16-19), MULE PRO-FX™ (16-19), MULE PRO-DX™ (16-19)
Corner Flashers Kit 1KAPFXCL \$840.00

LOW-PROFILE REAR WORK LIGHTS BY CURTIS®

Powerful low-profile LED roof mount work lights • Kit includes two 5-LED flat lights with brackets, a switch and wire harness for installation • Hard Cab Enclosure (1KAPFXCA, 1KAPFXCAS1, 1KAPFXTCA or 1KAPFXTCAS1) required • Approximately 1,750 lumens (875 lumens per light) • Requires Accessory Fuse Panel Kit (1KAPFXFP), sold separately

MULE PRO-FXT™ (15-19), MULE PRO-DXT™ (16-19), MULE PRO-FX™ (16-19), MULE PRO-DX™ (16-19)
Low-Profile Rear Work Lights .. 1KAPFXRWL \$340.00

LOW-PROFILE FRONT LIGHTS BY CURTIS®

Powerful low-profile LED roof mount work lights • Kit includes two 5-LED flat lights with brackets, a switch and wire harness for installation • Hard Cab Enclosure (1KAPFXCA, 1KAPFXCAS1, 1KAPFXTCA or 1KAPFXTCAS1) required • Approximately 1,750 lumens (875 lumens per light) • Requires Accessory Fuse Panel Kit (1KAPFXFP), sold separately

MULE PRO-FXT™ (15-19), MULE PRO-DXT™ (16-19), MULE PRO-FX™ (16-19), MULE PRO-DX™ (16-19)
Low-Profile Front Lights 1KAPFXFWL \$330.00



HEATER



ACCESSORY FUSE PANEL KIT



WINDSHIELD WIPER KIT



REARVIEW MIRROR



ROOF MOUNT BEACON STROBE LIGHT



DOMELIGHT



CORNER FLASHERS



LOW-PROFILE REAR WORK LIGHTS



LOW-PROFILE FRONT LIGHTS

SOFT



KQR™ SOFT UPPER DOOR SET



KQR™ SOFT REAR PANEL

KQR™ SOFT REAR PANEL

600 Denier Sur Last® water-resistant material easily attaches to vehicle with quick release buckles and hook-and-loop straps • Large rear window zips open for increased airflow

- Creates a full enclosure when combined with the KQR™ Soft Upper Door Set (99994-1056) and one of three windshields: Flip-Up Polycarbonate Windshield (99994-1054), KQR™ Full Polycarbonate Windshield (99994-1052) or KQR™ Full Glass Windshield (99994-1053) • Soft Rear Panel does not require Soft Upper Door Set but should be used in combination with a windshield

Towable on open trailers when used in combination with any full windshield (Flip-Up Polycarbonate Windshield must be in the closed position) and the KQR™ Soft Upper Door Set

- Vehicle must be positioned in the forward facing direction when towing KQR™ Soft Upper Door Set must be closed, and tow strap connected when towing
- Remove for towing on an open trailer if KQR™ Soft Upper Door Set is not installed

MULE PRO-FXR™ (18-19)
 KQR™ Soft Rear Panel..... 99994-1055..... 159.95

KQR™ SOFT UPPER DOOR SET

KQR™ Soft Upper Door Set features a quick release design and can be easily installed or removed depending on the weather • 600 Denier Sur Last® water-resistant Soft Upper Door Set attaches to stock doors and is held closed with the existing door latching system • Large side windows offer additional light and unzip for added ventilation when desired

- Seals to ROPS • Creates a full enclosure when combined with the Soft Rear Panel (99994-1055) and one of three windshields: Flip-Up Polycarbonate Windshield (99994-1054), KQR™ Full Polycarbonate Windshield (99994-1052) or KQR™ Full Glass Windshield (99994-1053)

Towable on open trailers when used in combination with any full windshield (Flip-Up Polycarbonate Windshield must be in the closed position) and KQR™ Soft Rear Panel

- Vehicle must be positioned in the forward facing direction, KQR™ Soft Upper Door Set must be closed, and tow strap connected when towing

MULE PRO-FXR™ (18-19)
 KQR™ Soft Upper Door Set ... 99994-1056..... 539.95



KQR™ SOFT UPPER DOOR SET

SOFT CAB ENCLOSURE

MULE PRO-FXT®

MULE PRO-DXT™

SOFT CAB ENCLOSURE

KAWASAKI GENUINE SOFT CAB ENCLOSURE PROVIDES A LIGHTWEIGHT AND STYLISH PACKAGE • MADE FROM 600 DENIER SUR LAST® WATER-RESISTANT FABRIC

Installation of the Soft Cab Enclosure does not impact ease of vehicle transformation • Doors offered as a set of 4 in black (KAF080-016) or Realtree® Xtra® Green (KAF080-047) • Doors fasten to the existing bodywork and are held closed with a unique magnet latching system • Large side windows offer additional interior light and unzip for added ventilation • Clear zip partition between front and rear seats allows for complete cab enclosure whether in 3 or 6 passenger mode • Requires KQR™ Full Windshield, Plastic (KAF080-001) sold separately to complete Cab Enclosure system

Remove for towing or use an enclosed trailer when transporting a vehicle with a Soft Cab Enclosure installed

Realtree APG-XTRA Camouflage Design ©2012 of Jordon Outdoor Enterprises, Ltd., All Rights Reserved

MULE PRO-FXT™ (15-19), MULE PRO-DXT™ (16-19)

Roof and Back, Black.....	KAF080-015.....	\$369.95
Soft Door Set, Black.....	KAF080-016.....	\$699.95
Roof and Back, Realtree® Xtra® Green.....	KAF080-046.....	\$389.95
Soft Door Set, Realtree® Xtra® Green.....	KAF080-047.....	\$719.95
KQR™ Full Windshield, Plastic.....	KAF080-001.....	\$599.95



MULE
PRO-FXR™

MULE
PRO-FXT™

MULE
PRO-DXT™

MULE
PRO-FX™

MULE
PRO-DX™



SOFT CAB ENCLOSURE

MULE PRO-FX™

MULE PRO-DX™

SOFT CAB ENCLOSURE

KAWASAKI GENUINE SOFT CAB ENCLOSURE PROVIDES A LIGHTWEIGHT, STYLISH, AND AFFORDABLE PACKAGE • MADE FROM 600 DENIER SUR LAST® WATER-RESISTANT FABRIC

Rear window zips open for increased cabin airflow • Doors fasten to the existing bodywork and are held closed with a unique magnet latching system • Large side windows offer additional light and unzip for added ventilation • Doors are offered as a set of two in black (KAF080-068) or Realtree® Xtra® Green (KAF080-070), sold separately and must be attached to Soft Cab Enclosure • Requires QQR™ Full Windshield, Plastic (KAF080-001) to complete Soft Cab Enclosure system

Remove for towing or use an enclosed trailer when transporting a vehicle with a Soft Cab Enclosure installed

Realtree APG-XTRA Camouflage Design ©2012 of Jordon Outdoor Enterprises, Ltd., All Rights Reserved

MULE PRO-FX™ (16-19), MULE PRO-DX™ (16-19)

Roof and Back, Black.....	KAF080-067	\$259.95
Soft Door Set, Black.....	KAF080-068	\$419.95
Roof and Back, Realtree® Xtra® Green.....	KAF080-069	\$284.95
Soft Door Set, Realtree® Xtra® Green	KAF080-070	\$446.95
QQR™ Full Windshield, Plastic.....	KAF080-001	\$599.95





MULE PRO-FXT®

MULE PRO-DXT™

PLASTIC ROOF

This semi-rigid Plastic Roof helps offer passenger protection from harsh weather and sun

- Integrated rear hinge to allow for operation of your tilt bed
- Contoured lightweight design for added style
- Made from semi-rigid black textured plastic
- Can use alone or with KQR™ Half Windshield (KAF080-027), KQR™ Full Windshield, Plastic (KAF080-001), or Flip-Up Polycarbonate Windshield (99994-0753)
- Original equipment on LE models
- Not compatible with Hard Cab Enclosure (KAF080-003) accessories

Remove for towing or use an enclosed trailer when transporting a vehicle with a Plastic Roof installed

MULE PRO-FXT™ (15-19), MULE PRO-DXT™ (16-19)

Plastic Roof 99994-0545 \$399.95

SOFT ROOF

One of our most popular accessories for a good reason; this stylish Soft Roof quickly and seamlessly installs for full overhead coverage and weather protection on the trail

- Made from 600 denier Sur Last® water-resistant fabric
- Available in black or Realtree® Xtra® Green
- Tightly straps to the vehicle Roll Over Protective Structure (ROPS) for an integrated fit
- Installation does not impact ease of vehicle transformation
- Compatible with Kawasaki Genuine Accessories KQR™ Half Windshield (KAF080-027), KQR™ Full Windshield, Plastic (KAF080-001), or Flip-Up Polycarbonate Windshield (99994-0753)

Remove for towing or use an enclosed trailer when transporting a vehicle with a Soft Roof installed

Realtree APG-XTRA Camouflage Design ©2012 of Jordon Outdoor Enterprises, Ltd., All Rights Reserved

MULE PRO-FXT™ (15-19), MULE PRO-DXT™ (16-19)

Black KAF080-018 \$149.95

Soft Roof, Realtree® Xtra® Green KAF080-045 \$159.95

PLASTIC ROOF



ROOFS



SOFT ROOF - BLACK



SOFT ROOF - REALTREE XTRA GREEN

MULE PRO-FX™

MULE PRO-DX™

PLASTIC ROOF

This semi-rigid Plastic Roof helps offer passenger protection from harsh weather and sun

- Integrated rear hinge to allow for operation of your tilt bed
- Contoured lightweight design for added style
- Made from semi-rigid black textured plastic
- Can use alone or with KQR™ Half Windshield (KAF080-027), KQR™ Full Windshield, Plastic (KAF080-001), or Flip-Up Polycarbonate Windshield (99994-0753)
- Original equipment on LE models
- Not compatible with Hard Cab Enclosure (KAF080-060) accessories

Remove for towing or use an enclosed trailer when transporting a vehicle with a Plastic Roof installed

MULE PRO-FX™ (16-19), MULE PRO-DX™ (16-19)

Plastic Roof 99994-0571 \$299.95

SOFT ROOF

One of our most popular accessories for a good reason

- This stylish Soft Roof quickly and seamlessly installs for full overhead coverage and weather protection on the trail
- Made from 600 denier Sur Last® water-resistant fabric
- Available in black or Realtree® Xtra® Green
- Tightly straps to the vehicle Roll Over Protective Structure (ROPS) for an integrated fit
- Compatible with KQR™ Half Windshield (KAF080-027), KQR™ Full Windshield, Plastic (KAF080-001), or Flip-Up Polycarbonate Windshield (99994-0753)

Remove for towing or use an enclosed trailer when transporting a vehicle with a Soft Roof installed

Realtree APG-XTRA Camouflage Design ©2012 of Jordon Outdoor Enterprises, Ltd., All Rights Reserved

MULE PRO-FX™ (16-19), MULE PRO-DX™ (16-19)

Black KAF080-071 \$149.95
Realtree® Xtra® Green KAF080-072 \$159.95

PLASTIC ROOF



ROOFS



SOFT ROOF - BLACK



SOFT ROOF - REALTREE XTRA GREEN

MULE PRO-FXR™

1.

FLIP-UP POLYCARBONATE WINDSHIELD

Three-position Flip-Up Polycarbonate Windshield provides the option for a sealed windshield with the ability to flip up to let just the right amount of air into the cabin • Closed and vented positions allow occupants to limit air flow when driving while the fully open position provides maximum airflow while stopped • Made from 6mm (0.236") scratch-resistant polycarbonate (hard coated) • Installation requires no drilling

Windshield must be closed and latched and vehicle facing forward when towed on open trailers

MULE PRO-FXR™ (18-19)
 Flip-Up Polycarbonate Windshield
 99994-1054 \$799.95



2.

KQR™ FULL POLYCARBONATE WINDSHIELD

Durable scratch-resistant windshield with vent system helps provide improved ventilation and cabin comfort • Made from 6mm (0.236") scratch-resistant polycarbonate (hard coated) • Installation requires no drilling • KQR™ mounting system allows for easy installation and removal once installed

Vehicle must be positioned in the forward facing direction when towed on open trailers

MULE PRO-FXR™ (18-19)
 KQR™ Full Polycarbonate Windshield
 99994-1052 \$599.95



3.

KQR™ FULL WINDSHIELD, GLASS

The KQR™ Full Glass Windshield can be quickly installed or removed without tools after initial installation • Helps provide protection from wind and debris for improved in-cabin comfort • Made from DOT approved AS1 safety glass

Vehicle must be positioned in the forward facing direction when towed on open trailers

MULE PRO-FXR™ (18-19)
 KQR™ Full Windshield, Glass
 99994-1053 \$709.95



FLIP-UP POLYCARBONATE WINDSHIELD

KQR™ HALF WINDSHIELD

Deflect direct wind blasts while maintaining comfortable air-flow throughout cabin with the KQR™ Half Windshield • KQR™ mounting system allows for easy installation or removal once installed • Made from scratch-resistant polycarbonate • Drilling required for center mount bracket

Remove for towing or use an enclosed trailer when transporting a vehicle with a KQR™ Half Windshield installed

**MULE PRO-FXR™ (18-19), MULE PRO-FXT™ (15-19),
 MULE PRO-DXT™ (16-19), MULE PRO-FX™ (16-19),
 MULE PRO-DX™ (16-19)**
 KQR™ Half Windshield, Plastic
 KAF080-027 \$209.95





KQR™ FULL POLYCARBONATE WINDSHIELD



KQR™ FULL WINDSHIELD, GLASS



KQR™ HALF WINDSHIELD

FLIP-UP POLYCARBONATE WINDSHIELD

Three-position Flip-Up Polycarbonate Windshield provides the option for a sealed windshield with the ability to flip up to let just the right amount of air into the cabin

- Closed and vented positions allow occupants to limit air flow when driving while the fully open position provides maximum airflow while stopped
- Made from 4.5mm (0.177") scratch-resistant polycarbonate (hard coated)
- Not compatible with Front Rack, Hard Cab Enclosures, or Soft Cab Enclosures

Towable in forward facing position only • Flip-Up Polycarbonate Windshield must be in the closed and locked position

MULE PRO-FXT™ (15-19), MULE PRO-DXT™ (16-19), MULE PRO-FX™ (16-19), MULE PRO-DX™ (16-19)
Flip-Up Polycarbonate Windshield
99994-0753 \$769.95

KQR™ HALF WINDSHIELD

Deflect direct wind blasts while maintaining comfortable air-flow throughout cabin with the KQR™ Half Windshield

- KQR™ mounting system allows for easy installation or removal once installed
- Made from scratch-resistant polycarbonate
- Drilling required for center mount bracket

Remove for towing or use an enclosed trailer when transporting a vehicle with a KQR™ Half Windshield installed

MULE PRO-FXR™ (18-19), MULE PRO-FXT™ (15-19), MULE PRO-DXT™ (16-19), MULE PRO-FX™ (16-19), MULE PRO-DX™ (16-19)
KQR™ Half Windshield, Plastic
KAF080-027 \$209.95

KQR™ FULL WINDSHIELD, PLASTIC

The KQR™ Full Windshield, Plastic can be quickly installed or removed • Helps provide protection from wind for improved in-cabin comfort • Three large fresh-air vents on windshield open and close to increase airflow in cabin

- Made from scratch-resistant polycarbonate
- Drilling required for center mount bracket
- Can be used alone or as a component of the Hard or Soft Cab Enclosures
- Windshield Washer (KAF080-024) and Windshield Wiper (KAF080-011) not compatible with KQR™ Full Windshield, Plastic (KAF080-001)

Remove for towing or use an enclosed trailer when transporting a vehicle with a KQR™ Full Windshield, Plastic installed

MULE PRO-FXT™ (15-19), MULE PRO-DXT™ (16-19), MULE PRO-FX™ (16-19), MULE PRO-DX™ (16-19)
KQR™ Full Windshield, Plastic
KAF080-001 \$599.95

KQR™ FULL WINDSHIELD, GLASS

The KQR™ Full Windshield, Glass can be quickly installed or removed with minimal use of tools once installed

- Helps provide protection from wind and debris for improved in-cabin comfort
- Two large fresh-air vents on top portion of windshield open and close to increase airflow in cab
- Made from DOT approved AS1 safety glass
- Not for individual use • Hard Cab Enclosure (KAF080-003) and related components required

Remove for towing or use an enclosed trailer when transporting a vehicle with a KQR™ Full Windshield, Glass installed

MULE PRO-FXR™ (18-19), MULE PRO-FXT™ (15-19), MULE PRO-DXT™ (16-19), MULE PRO-FX™ (16-19), MULE PRO-DX™ (16-19)
KQR™ Full Windshield, Glass
KAF080-041 \$709.95

WIND



FLIP-UP POLYCARBONATE WINDSHIELD

WINDSHIELDS

MULE
PRO-FXT

MULE
PRO-DXT

MULE
PRO-FX

MULE
PRO-DX

MULE
PRO-FXR



KQR™ HALF WINDSHIELD



KQR™ FULL WINDSHIELD, PLASTIC



KQR™ FULL WINDSHIELD, GLASS



WARN

®



ACCESSORY FUSE BOX



WINCH MOUNT

..... PLOW

Increase the capabilities of your MULE PRO-FXR™ / PRO-FXT™ / PRO-DXT™ / PRO-FX™ / PRO-DX™ side x side by adding a WARN® ProVantage™ Front Mount Plow. Designed specifically for your MULE™ vehicle, this plow features an easy-to-use rapid connection system • With this system, you can plow away unwanted material, disconnect the plow and free your MULE™ side x side for other applications

For a complete kit, order the following items:

- Plow Mount KAF080-009
- Plow Frame KW79805
- Plow Blade KW79958
- Winch Mount 99994-0687
- Accessory Fuse Box (18) 99994-1082
- Accessory Fuse Box (15-17) KAF080-076

And your choice of winch:

- 4500S KAF080-051
- 4500 KAF080-050
- 4000S KAF080-053
- 4000 KAF080-052

Note: Accessory Fuse Box, Winch, and Winch Mount required for raising and lowering the Plow Blade.

WARN®, the WARN logo and THE RED HOOK STRAP are registered trademarks of Warn Industries, Inc. ProVantage™ and Vantage™ are trademarks of Warn Industries, Inc.

Plow Mount

3-step rapid connection system featuring a self-locating pin allows you to remove the Plow Blade and Base quickly • Mount is located at the front of the vehicle

Plow Frame

The WARN® Plow Base assembly features an extra wide design for a forward trip system, and an interlocked rotating base plate
 • Designed for strength, durability, and impact resistance • 5 point adjustment system (30°, 15°, 0°, -15°, -30°) offers a solution for a wide range of plowing scenarios

Plow Blade

Made from thick 12-gauge steel with heavy-duty ribbing and a center cross member for added rigidity • Boxed design adds extra support • Special low-friction powdercoated finish helps keep material from sticking to the blade • 1,829mm (72") width allows you to move a large amount of material at one time

MULE PRO-FXR™ (18-19), MULE PRO-FXT™ (15-19), MULE PRO-DXT™ (16-19), MULE PRO-FX™ (16-19), MULE PRO-DX™ (16-19)

Plow Mount.....	KAF080-009	\$409.98
Plow Frame.....	KW79805	\$369.95
Plow Blade.....	KW79958	\$389.95
Winch Mount.....	99994-0687	\$114.95

..... WINCH MOUNT

A Winch Mount is required when installing a WARN® ProVantage™ or Vantage™ winch and roller fairlead to your vehicle • Four-bolt pattern allows simple installation of WARN® products

MULE PRO-FXR™ (18-19), MULE PRO-FXT™ (15-19), MULE PRO-DXT™ (16-19), MULE PRO-FX™ (16-19), MULE PRO-DX™ (16-19)

Winch Mount.....	99994-0687	\$114.95
Accessory Fuse Box (18-19)	99994-1082	\$329.95
Accessory Fuse Box (15-17)	KAF080-076	\$319.95



PLOW BLADE



PLOW FRAME



PLOW MOUNT

PLOW



WARN

®

LOOK NO FURTHER THAN THE WARN® PROVANTAGE™ LINEUP

AVAILABLE IN CAPACITIES FROM 2,500 LBS. TO 4,500 LBS. AND A CHOICE OF DURABLE AIRCRAFT-GRADE WIRE ROPE OR LIGHTWEIGHT, EASY-TO-HANDLE SYNTHETIC ROPE, THESE WINCHES ARE BUILT USING PREMIUM COMPONENTS AND OFFER MARKET-LEADING PERFORMANCE AND FEATURES.

WARN® PROVANTAGE™ WINCHES FEATURE A POWERFUL PERMANENT MAGNET MOTOR, A SMOOTH RELIABLE THREE-STAGE PLANETARY GEAR TRAIN, METAL GEAR HOUSING, AN EASY-TO-USE CLUTCH CONTROL DIAL, FULLY SEALED TO KEEP THE ELEMENTS OUT, A PATENTED ROLLER DISC BRAKE, AND A CORROSION-RESISTANT BLACK POWER-COATED FINISH WITH A UNIQUE BLACK HOOK AND TIE RODS. THESE WINCHES HAVE A LIMITED LIFETIME WARRANTY ON MECHANICAL PARTS AND A THREE-YEAR WARRANTY ON ELECTRICAL COMPONENTS OFFERED THROUGH WARN®.

- HOOK, TIE RODS, AND BODY FEATURE ATTRACTIVE, CORROSION-RESISTANT BLACK FINISH
- THREE-STAGE PLANETARY GEAR TRAIN FOR SMOOTH, EFFICIENT OPERATION
- ERGONOMIC CLUTCH HANDLE
- A PATENTED ROLLER DISC BRAKE
- FULLY SEALED MOTOR AND DRIVE TRAIN TO KEEP THE ELEMENTS OUT
- INCLUDES ILLUMINATED DASH-MOUNTED CONTROL SWITCH AND CORDED REMOTE
- ALL-METAL GEAR HOUSING AND GEARS
- WARRANTY OFFERED THROUGH WARN®
- LIMITED LIFETIME WARRANTY ON MECHANICAL PARTS
- 3 YEAR WARRANTY ON ELECTRICAL COMPONENTS (NORTH AMERICA) PROVIDED BY WARN®

WARN®, the WARN logo and THE RED HOOK STRAP are registered trademarks of Warn Industries, Inc. ProVantage™ and Vantage™ are trademarks of Warn Industries, Inc.



WARN® PROVANTAGE™



WARN® PROVANTAGE™ 4500S WINCH

4,500 lb. capacity • 50' of 7/32" synthetic rope with double powder-coated hawse fairlead • Pre-cut wiring designed to work exclusively with Accessory Fuse Box (99994-1082 or KAF080-076), sold separately for the MULE™ PRO Series side x sides • Winch, remote, and dash switch included

MULE PRO-DXT™ (16-19), MULE PRO-FX™ (16-19), MULE PRO-DX™ (16-19),
MULE PRO-FXR™ (18-19)
KAF080-051 \$769.95



WARN® PROVANTAGE™ 4500 WINCH

4,500 lb. capacity • 55' of 7/32" wire rope (the longest in the lineup) and plow roller fairlead • Pre-cut wiring designed to work exclusively with Accessory Fuse Box (99994-1082 or KAF080-076), sold separately for the MULE™ PRO Series side x sides • Winch, remote, and dash switch included

MULE PRO-FXT™ (15-19), MULE PRO-DXT™ (16-19), MULE PRO-FX™ (16-19),
MULE PRO-DX™ (16-19), MULE PRO-FXR™ (18-19)
KAF080-050 \$649.95



WARN® PROVANTAGE™ 4000S WINCH

4,000 lb. capacity • 50' of 7/32" synthetic rope and black powder-coated hawse fairlead • Pre-cut wiring designed to work exclusively with Accessory Fuse Box (99994-1082 or KAF080-076), sold separately for the MULE™ PRO Series side x sides • Winch, remote, and dash switch included

MULE PRO-FXT™ (15-19), MULE PRO-DXT™ (16-19), MULE PRO-FX™ (16-19),
MULE PRO-DX™ (16-19)....., MULE PRO-FXR™ (18-19)

KAF080-053 \$509.95



WARN® PROVANTAGE™ 4000 WINCH

4,000 lb. capacity • 55' of 7/32" wire rope (the longest in the lineup) and a roller fairlead • Pre-cut wiring designed to work exclusively with Accessory Fuse Box (99994-1082 or KAF080-076), sold separately for the MULE™ PRO Series side x sides • Winch, remote, and dash switch included

MULE PRO-FXT™ (15-19), MULE PRO-DXT™ (16-19), MULE PRO-FX™ (16-19),
MULE PRO-DX™ (16-19)....., MULE PRO-FXR™ (18-19)

KAF080-052 \$399.95

MULE PRO-FXR™

GU

BRUSH GUARD

Add protection and aggressive style to the front of your vehicle with this durable laser cut, formed steel brush guard • Black powder coating to match the stock front bumper for a uniform look • Mounts over the stock bumper with included hardware • Includes mounting holes for Kawasaki Genuine Headlight Guard Set (99994-1031) • Does not interfere with Kawasaki Genuine Winch Mount (99994-0687)

MULE PRO-FXR™ (18-19)

Brush Guard..... 99994-1030..... \$339.95

HEADLIGHT GUARD SET

Steel guards help protect the headlights • Black powder coating to match the Brush Guard (99994-1030) • Mounts to Kawasaki Genuine Brush Guard (99994-1030), required

WARN®, the WARN logo and THE RED HOOK STRAP are registered trademarks of Warn Industries, Inc. ProVantage™ and Vantage™ are trademarks of Warn Industries, Inc.

MULE PRO-FXR™ (18-19)

Headlight Guard Set..... 99994-1031..... \$139.95



JARDS



BRUSH GUARD



HEADLIGHT GUARD SET



FRONT RACK



BRUSH GUARD

GUARDS



FRONT RACK

When on the trail or at the job site, additional storage for essential tools and equipment is important • Add additional easy access storage to your MULE PRO-FXT™ / PRO-DXT™ / PRO-FX™ / PRO-DX™ side x side with the Front Rack • Mounts to the front bumper and the ROPS • Black powder coated steel construction • Tilts forward for easy access to hood • Multiple tie-down points • 381mm (15") deep x 1372mm (54") wide flat cargo area dimensions • Not compatible with Hard Cab or Soft Cab Enclosures

Realtree APG-XTRA Camouflage Design ©2012 of Jordon Outdoor Enterprises, Ltd., All Rights Reserved

MULE PRO-FXR™ (18-19), MULE PRO-FXT™ (15-19), MULE PRO-DXT™ (16-19), MULE PRO-FX™ (16-19), MULE PRO-DX™ (16-19)

Front Rack..... KAF080-021 \$549.95

BRUSH GUARD

Help add protection and aggressive style to the front of your vehicle with this durable laser cut, formed steel brush guard • Powder coated in textured black to match the stock front bumper for a uniform look • Built-in headlight guards • Mounting tabs for the Kawasaki Genuine LED Light Bar (KAF080-048) • Steel 38mm (1½") diameter tubing / 2.1mm (8/100") wall thickness • Does not interfere with Kawasaki Genuine Winch Mount (99994-0687) or Plow System

MULE PRO-FXT™ (15-19), MULE PRO-DXT™ (16-19), MULE PRO-FX™ (16-19), MULE PRO-DX™ (16-19)

Brush Guard..... 99994-0412 \$219.95



REAR BUMPER



GUARDS

REAR BUMPER

This stylish yet functional accessory adds protection to the rear of your vehicle • Made of durable 3.175mm (1/8") thick steel • Powder coated in textured black to provide a uniform look with stock components • Does not interfere with Tail Light Guard visibility

MULE PRO-FXT™ (15-19), MULE PRO-DXT™ (16-19), MULE PRO-FX™ (16-19), MULE PRO-DX™ (16-19)

Rear Bumper 99994-0413 \$179.95

TAIL LIGHT GUARD SET

Reduce the risk of damage, and related repairs • Powder coated in textured black to provide a uniform look with stock components • Made of 2.2mm (1/16") thick steel • Some drilling and rivet gun required

MULE PRO-FXR™ (18-19), MULE PRO-FXT™ (15-19), MULE PRO-DXT™ (16-19), MULE PRO-FX™ (16-19), MULE PRO-DX™ (16-19)

Tail Light Guard Set 99994-0424 \$49.95



TAIL LIGHT GUARD SET

GUARDS

SKID PLATES

Helps protect your drivetrain and chassis with a durable brushed aluminum Kawasaki Genuine Skid Plate • Made of 4.7mm (3/16") thick 5052 aluminum • Brushed aluminum finish

MULE PRO-FXT™ (15-19), MULE PRO-DXT™ (16-19), MULE PRO-FX™ (16-19), MULE PRO-DX™ (16-19)

Front Skid Plate 99994-0438 \$459.95

Mid Skid Plate 99994-0439 \$349.95

Rear Skid Plate..... 99994-0512 \$389.95

SKID PLATE SET

Help protect your drivetrain and chassis with a durable two-piece HMW (High-Molecular Weight) Kawasaki Genuine Skid Plate Set

- Constructed of 6.35mm (1/4") thick HMW these skid plates help provide additional protection to your investment's under body
- Molded in louvers to help maintain proper air flow
- Designed to easily replace OEM guards

MULE PRO-FXR™ (18-19)

Skid Plate Set..... 99994-0957 \$219.95

CV JOINT GUARD SET

While operating your vehicle in rough terrain, these lightweight CV Joint Guards help protect your a-arms, axles, brake-lines and CV Boots • In addition, the full-coverage design adds a custom look to your vehicle • Made of 4.7mm (3/16") thick 5052 aluminum • Brushed aluminum finish

MULE PRO-FXR™ (18-19), MULE PRO-FXT™ (15-19), MULE PRO-DXT™ (16-19), MULE PRO-FX™ (16-19), MULE PRO-DX™ (16-19)

Front CV Joint Guard Set 99994-0428 \$149.95

Rear CV Joint Guard Set..... 99994-0429 \$149.95

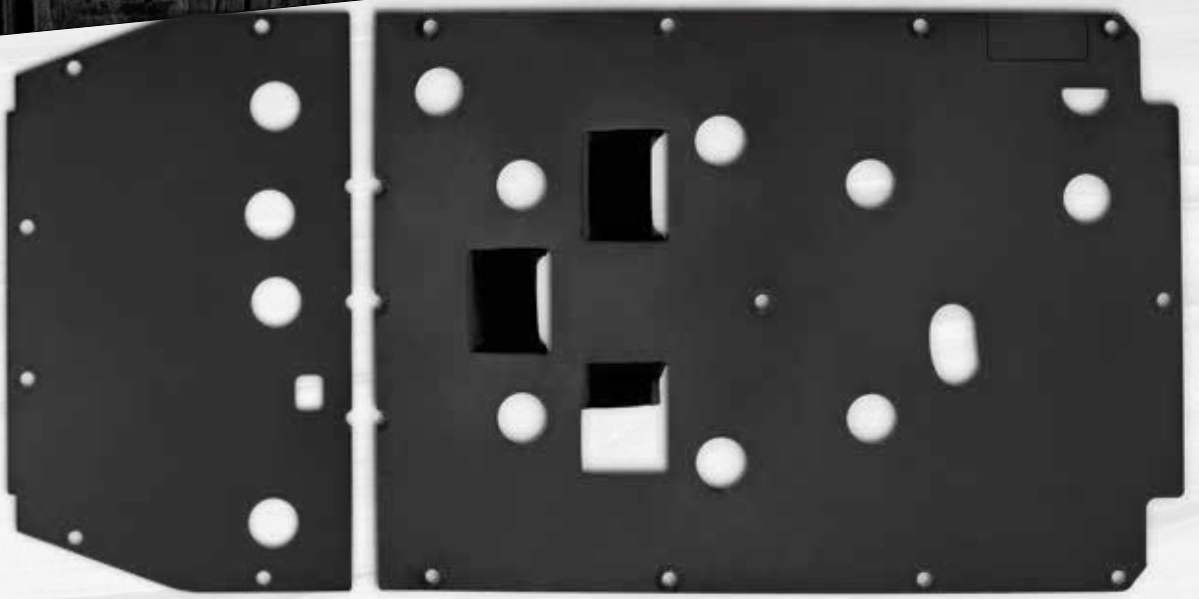


FRONT SKID PLATE

MID SKID PLATE

REAR SKID PLATE

SKID PLATES



SKID PLATE SET - MULE PRO-FXR™



FRONT CV JOINT GUARD SET



REAR CV JOINT GUARD SET

20" LED LIGHT BAR

Work or play, some things need to get done after the sun goes down • 4 flood light reflectors and 12 spot beam reflectors for a total of 16 LED lights • Combination flood/spot light • UV-resistant polycarbonate lens • Wire harness allows for connection to both the accessory plug behind the dash board and to the Accessory Fuse Box (99994-1082) • 12V DC Input • Requires LED Light Bar Harness and Bracket Kit (99994-0965) sold separately • Accessory Fuse Box (99994-1082) required if additional electrical accessories are installed • LED Light Bar Harness and Bracket Kit includes switch, wire harness and mounting hardware

MULE PRO-FXR™ (18-19)

20" LED Light Bar	99994-1110	\$286.95
LED Light Bar Harness & Bracket Kit.....	99994-0965	\$119.95

LED LIGHT BAR

Work or play, some things need to get done after the sun goes down • 2,200 lumens • Flood and Driving beam patterns available • UV-resistant polycarbonate lens • Rugged solid state LEDs can withstand shock and vibration • Long-lasting LEDs means more time between replacement bulbs • Die-cast aluminum housing helps provide added protection • 12V DC Input • 4 Amp draw • Requires Brush Guard (99994-0412), Accessory Fuse Box (99994-1082) (18) or (KAF080-076) (15-17) and LED Light Bar Harness Kit (KAF080-020) sold separately • LED Light Bar Harness Kit includes switch, wire harness and mounting hardware • SAE J1113 (Class 21) ECE Reg. 10 Compliant

MULE PRO-FXT™ (15-19), MULE PRO-DXT™ (16-19), MULE PRO-FX™ (16-19), MULE PRO-DX™ (16-19)

LED Light Bar.....	KAF080-048	\$399.95
LED Light Bar Harness Kit.....	KAF080-020	\$59.95

LED HEADLIGHT SET

Add these high output LED Headlights to your base model MULE PRO-FXR™ / MULE PRO-FXT™ / PRO-DXT™ / PRO-FX™ / PRO-DX™ side x side • New reflector style utilizes 2 individual LEDs • Replaces outer halogen lights • Stock component on some MULE™ PRO models

MULE PRO-FXR™ (18-19)

LED Headlight Set.....	99994-0959	\$269.95
------------------------	------------------	----------

MULE PRO-FXT™ (15-19), MULE PRO-DXT™ (16-19), MULE PRO-FX™ (16-19), MULE PRO-DX™ (16-19)

LED Headlight Set.....	99994-1071	\$359.95
------------------------	------------------	----------



20" LED LIGHT BAR



LED LIGHT BAR

LEIGHT



LED HEADLIGHT SET

TINING



LED HEADLIGHT SET



CARGO BED MAT - MULE PRO-FXR



BED



CARGO BED MAT - TWO PIECE - MULE PRO-FXT / PRO-DXT



CARGO BED MAT - ONE PIECE - MULE PRO-FX / PRO-DX



CARGO BED MAT

Help protect your cargo bed base with this tough 6.35mm (1/4") extra thick rubber mat • Textured molded ribs help prevent cargo from sliding • Helps reduce sound levels caused from vibration • Made of durable EPDM thick black molded rubber • Oil resistant • Features MULE™ logo in center of Cargo Bed Mat

MULE PRO-FXR™ (18-19)

Cargo Bed Mat..... 99994-0962 \$129.95

CARGO BED MAT

Help protect your cargo bed base with these tough 4.7mm (3/16") thick rubber mats • Unique two-piece design does not interfere with transition from long to short bed mode • Extra thick rubber helps prevent cargo from sliding • Reduces sound levels caused from vibration

MULE PRO-FXT™ (15-19), MULE PRO-DXT™ (16-19)

Cargo Bed Mat, Two Piece..... KAF080-038 \$154.95

MULE PRO-FX™ (16-19), MULE PRO-DX™ (16-19)

Cargo Mat, One Piece..... KAF080-065 \$174.95

CARGO BED LIFT

Raise and lower your cargo bed with a hydraulic Cargo Bed Lift • Self-contained hydraulic system; no hoses, no reservoir to fill or top off, no bleeding process • Durable steel construction

MULE PRO-FXR™ (18-19), MULE PRO-FXT™ (15-19),

MULE PRO-DXT™ (16-19), MULE PRO-FX™ (16-19),

MULE PRO-DX™ (16-19)

Cargo Bed Lift..... KAF080-002 \$999.95



CARGO BED LIFT





CARGO BED DIVIDER



CARGO BED EXTENDER



WARN®, the WARN logo and THE RED HOOK STRAP are registered trademarks of Warn Industries, Inc. ProVantage™ and Vantage™ are trademarks of Warn Industries, Inc.

BED



CARGO BED DIVIDER

Roto molded PE plastic panel designed to fit perfectly in the slots of the MULE PRO-FXT™ / PRO-DXT™ side x side bed sides in multiple configurations • Kit includes one panel that divides the bed into two sections for convenient loading • Additional kits can be added to further divide the cargo bed

MULE PRO-FXR™ (18-19), MULE PRO-FXT™ (15-19), MULE PRO-DXT™ (16-19), MULE PRO-FX™ (16-19), MULE PRO-DX™ (16-19)

Cargo Bed Divider..... KAF080-037 \$74.95

KQR™ CARGO BED EXTENDER

Extend your usable cargo space by 203mm (8") with this durable roto-molded plastic Bed Extender • Simply lower the tailgate and attach the extender to the bed rails with two KQR™ clamps • Easily adjust to different cargo sizes by sliding the clamps forward or backward or by reversing the entire Bed Extender to create a divider • Two KQR™ Accessory Mounts included

MULE PRO-FXR™ (18-19), MULE PRO-FXT™ (15-19), MULE PRO-DXT™ (16-19), MULE PRO-FX™ (16-19), MULE PRO-DX™ (16-19)

KQR™ Cargo Bed Extender ... KAF080-022 \$179.95

BED



KQR™ CARGO BOX





WARN®, the WARN logo and THE RED HOOK STRAP are registered trademarks of Warn Industries, Inc. ProVantage™ and Vantage™ are trademarks of Warn Industries, Inc.

KQR™ CARGO BOX

Add storage within your vehicle's cargo bed • Quickly attaches to either cargo bed rail • Ample internal storage space for transporting tools, equipment, straps, tie-downs, emergency kits, trail snacks, etc. • KQR™ Cargo Box measures 356mm (14") L x 356mm (14") W x 432mm (17") H • Material: Molded LDPE black plastic • Includes internal tool tray • Requires qty. 2 KQR™ Accessories Mounts (KAF080-012), sold separately

MULE PRO-FXR™ (18-19), MULE PRO-FXT™ (15-19), MULE PRO-DXT™ (16-19), MULE PRO-FX™ (16-19), MULE PRO-DX™ (16-19)
 KQR™ Cargo Box..... KAF080-017..... \$84.95
 KQR™ Accessories Mount..... KAF080-012..... \$19.95

KQR™ ACCESSORIES MOUNT

Required for quick-mounting the KQR™ Cargo Box and KQR™ Gun Boot Mount to the vehicle bed and rear cab rail • Constructed of black anodized aluminum for durability • Mounts are sold individually • Refer to each KQR™ accessory for the quantity of mounts required

MULE PRO-FXR™ (18-19), MULE PRO-FXT™ (15-19), MULE PRO-DXT™ (16-19), MULE PRO-FX™ (16-19), MULE PRO-DX™ (16-19)
 KQR™ Accessories Mount..... KAF080-012..... \$19.95



KQR™ ACCESSORIES MOUNT

MULE™





HORN



BLOCK HEATER



DUAL BATTERY KIT



BACK-UP BEEPER

HORN

Install a horn to alert others of your presence while on the job site or the trail • Mounts internally • Includes switch

MULE PRO-FXR™ (18-19), MULE PRO-FXT™ (15-19), MULE PRO-DXT™ (16-19), MULE PRO-FX™ (16-19), MULE PRO-DX™ (16-19)

Horn..... 99994-0455 \$39.95

BLOCK HEATER

The diesel Block Heater provides heat to the engine for easier starting in extreme cold • Keeps engine warm in cold temperatures • Helps reduce cold start engine damage • Simple to install • Efficient way to pre-heat your engine • Plugs into household 110V outlet • Includes all mounting hardware and wiring

MULE PRO-DXT™ (16-19), MULE PRO-DX™ (16-19)

Block Heater 99994-0741 \$146.95

DUAL BATTERY KIT

Add a second battery to your MULE PRO-FXT™ / MULE PRO-DXT™ side x side with this easy to install Dual Battery Kit • This kit allows you to maintain two batteries in your vehicle • The Intelligent Solenoid (IS) manages the charging of both batteries while the vehicle is running and isolates them when the vehicle is off • This system also allows the second battery to be charged and/or isolated automatically • Requires Battery (26012-0107), Accessory Fuse Box (KAF080-076), Battery Terminal Cap (11065-0285), Nut (92015-1406) qty 2, Bracket (92072-0128), Bushing (92152-0794) qty 2, Bolt (92151-1788) qty 2, Damper (92161-0578), and Damper (92161-0579) all sold separately

MULE PRO-FXR™ (18-19), MULE PRO-FXT™ (15-19), MULE PRO-DXT™ (16-19), MULE PRO-FX™ (16-19), MULE PRO-DX™ (16-19)

Dual Battery Kit..... KAF080-025 \$399.95

BACK-UP BEEPER

Whether on the job site or the farm, a Back-Up Beeper is a useful addition to alert others that your vehicle is reversing • Emits 97db • Product meets O.S.H.A. regulations and SAEJ994 standards • Black with steel housing • Wires directly to the reverse switch on the transmission

MULE PRO-FXR™ (18-19), MULE PRO-FXT™ (15-19), MULE PRO-DXT™ (16-19), MULE PRO-FX™ (16-19), MULE PRO-DX™ (16-19)

Back-Up Beeper..... KAF080-030 \$135.95



Realtree APG-XTRA Camouflage Design
©2012 of Jordan Outdoor Enterprises, Ltd.,
All Rights Reserved



UNTING



KQR™ ACCESSORIES MOUNT

KQR™ GUN BOOT MOUNT



KOLPIN® GUN BOOT® 6.0 TRANSPORT

KQR™ ACCESSORIES MOUNT

Required for quick-mounting the KQR™ Cargo Box and KQR™ Gun Boot Mount to the vehicle bed and rear cab rail • Constructed of black anodized aluminum for durability • Mounts are sold individually • Refer to each KQR™ accessory for the quantity of mounts required

MULE PRO-FXR™ (18-19), MULE PRO-FXT™ (15-19), MULE PRO-DXT™ (16-19), MULE PRO-FX™ (16-19), MULE PRO-DX™ (16-19)

KQR™ Accessories Mount..... KAF080-012..... \$19.95

KQR™ GUN BOOT MOUNT

The KQR™ Gun Boot Mount allows for secure, convenient weapon storage within the bed of your vehicle • KQR™ installation system allows you to quickly add or remove mounts as needed • For use with Kolpin® Gun Boot® 6.0 Transport (KP20020) sold separately • For the MULE PRO-FXT™ / PRO-DXT™ side x side a total of six rifles can be installed while vehicle is in 3-passenger mode and three rifles while in 6-passenger mode • Made of steel with black powder coat finish • Requires qty. 2 KQR™ Accessories Mounts (KAF080-012) sold separately

MULE PRO-FXR™ (18-19), MULE PRO-FXT™ (15-19), MULE PRO-DXT™ (16-19), MULE PRO-FX™ (16-19), MULE PRO-DX™ (16-19)

KQR™ Gun Boot Mount..... KAF080-013..... \$59.95

KQR™ Accessories Mount..... KAF080-012..... \$19.95

KOLPIN® GUN BOOT® 6.0 TRANSPORT

Securely transport and conveniently store your rifle with the Kolpin® Gun Boot® 6.0 Transport • Extra-large interior features two layers of dense closed cell foam for protection • Exterior black plastic finish • Large enough to accommodate a variety of fire-arms, including: rifles up to 1,295mm (51") in total length, scopes up to 60mm, pistol grip type guns, and left and right hand bolt action weapons • Includes Cordura® soft case designed to fit within the hard case • Mounts securely in bed utilizing KQR™ Gun Boot Mount (KAF080-013), and qty. 2 KQR™ Accessories Mounts (KAF080-012) sold separately

"Kolpin" and "Gun Boot" are registered trademarks of Kolpin Outdoors, Inc.

MULE PRO-FXR™ (18-19), MULE PRO-FXT™ (15-19), MULE PRO-DXT™ (16-19), MULE PRO-FX™ (16-19), MULE PRO-DX™ (16-19)

Kolpin® Gun Boot® 6.0 Transport..... KP20020 \$103.95

TOWING



HITCH DRAWBAR



CHROM HITCH BALL



REDUCER BUSHING

HITCH COMPONENTS

Heavy duty 51mm (2") steel Hitch Drawbar with welded gusset • Hitch Pin and clip included with Hitch Drawbar and also sold separately • 48mm (1 7/8") Hitch Ball with 19mm (3/4") diameter shank, and 51mm (2") Hitch Ball with 19mm (3/4") diameter available • When using Hitch Balls with a 19mm (3/4") shank, a Reducer Bushing (TRL36A) is required

MULE PRO-FXR™ (18-19), MULE PRO-FXT™ (15-19), MULE PRO-DXT™ (16-19), MULE PRO-FX™ (16-19), MULE PRO-DX™ (16-19)

2' Hitch Drawbar, 4" Drop	TX750-015	\$36.95
Chrome Hitch Ball, 2"	KAF136	\$16.95
Chrome Hitch Ball, 1 7/8"	KAF127	\$15.95
Hitch Pin, 5/8"	TLR39	\$8.95
Reducer Bushing	TLR36A	\$14.95

STORAGE COVER

Help protect your vehicle during storage with this premium cover • Durable gray polyester fabric • UV resistant to prevent fading • Features silk screened Kawasaki logos for a O.E.M. appearance

Remove for towing or use an enclosed trailer when transporting a vehicle with a Storage Cover installed

MULE PRO-FXT™ (15-19), MULE PRO-DXT™ (16-19)		
Storage Cover.....	KAF080-040A	\$239.95

MULE PRO-FXR™ (18-19), MULE PRO-FX™ (16-19), MULE PRO-DX™ (16-19)		
Storage Cover.....	KAF080-073A	\$239.95



COVERS



MULE PRO-FXT™ / PRO-DXT™



MULE PRO-FXR™ / PRO-FX™ / PRO-DX™

STORAGE COVERS

MULE PRO-FXR™



PRO-FXR SOFT CAB

PRO-FXR™ SOFT CAB

- KQR™ FULL WINDSHIELD, GLASS
- WINDSHIELD WIPER
- WINDSHIELD WASHER
- KQR™ SOFT REAR PANEL
- KQR™ SOFT UPPER DOOR SET
- REARVIEW MIRROR



PRO-FXR UTILITY PACKAGE

99969-3769

PACKAGE PRICE:

>> \$623.95

- CARGO LIGHT
- CARGO LIGHT HARNESS & BRACKET KIT
- HORN
- TAIL LIGHT GUARD SET
- REARVIEW MIRROR
- CARGO BED DIVIDER
- KQR™ CARGO BED EXTENDER
- KQR™ ACCESSORIES MOUNT (2)
- 2" HITCH DRAWBAR, 4" DROP
- CHROME HITCH BALL, 2"
- REDUCER BUSHING

MULE PRO-FXR™



PRO-FXR OPEN RANGE PACKAGE

99969-3770

PACKAGE PRICE:

>> **\$1866.95**

- QQR™ FULL POLYCARBONATE WINDSHIELD
- 20" LED LIGHT BAR
- LED LIGHT BAR HARNESS & BRACKET KIT
- BRUSH GUARD
- HEADLIGHT GUARD SET
- TAIL LIGHT GUARD SET
- FLOOR MAT SET
- QQR™ CARGO BOX
- QQR™ ACCESSORIES MOUNT (2)
- 2" HITCH DRAWBAR, 4" DROP
- CHROME HITCH BALL, 2"
- REDUCER BUSHING
- ACCESSORY FUSE BOX



WARN®, the WARN logo and THE RED HOOK STRAP are registered trademarks of Warn Industries, Inc. ProVantage and Vantage™ are trademarks of Warn Industries, Inc.



PRO-FXR ADVENTURE PACKAGE

99969-3771

PACKAGE PRICE:

>> **\$1788.95**

- QQR™ HALF WINDSHIELD, PLASTIC
- BRUSH GUARD
- HEADLIGHT GUARD SET
- FRONT CV JOINT GUARD SET
- REAR CV JOINT GUARD SET
- SKID PLATE SET
- REARVIEW MIRROR
- WINCH PV3500
- WINCH MOUNT
- ACCESSORY FUSE BOX

MULE

PRO-FX™

MULE

PRO-DX™



PRO-FX/DX UTILITY PACKAGE

99969-3761

PACKAGE PRICE:

>> **\$686.95**

- PLASTIC ROOF
- HORN
- REAR BUMPER
- REARVIEW MIRROR
- SEAT COVER, BLACK

- CARGO BED DIVIDER
 - 2" HITCH DRAWBAR, 4" DROP
 - CHROME HITCH BALL, 2"
 - REDUCER BUSHING
- (SHOWN ON MULE PRO-FX™ EPS LE)



PRO-FX/DX OPEN RANGE PACKAGE

99969-3762

PACKAGE PRICE:

>> **\$2098.95**

- KQR™ FULL WINDSHIELD, PLASTIC
- LED LIGHT BAR
- LED LIGHT BAR HARNESS KIT
- BRUSH GUARD
- REAR BUMPER
- TAIL LIGHT GUARD SET
- FLOOR MAT SET

- KQR™ CARGO BOX
 - KQR™ ACCESSORIES MOUNT (2)
 - 2" HITCH DRAWBAR, 4" DROP
 - CHROME HITCH BALL, 2"
 - REDUCER BUSHING
 - ACCESSORY FUSE BOX
- (SHOWN ON MULE PRO-FX™ EPS LE)

MULE PRO-FX™

MULE PRO-DX™



WARN®, the WARN logo and THE RED HOOK STRAP are registered trademarks of Warn Industries, Inc. ProVantage™ and Vantage™ are trademarks of Warn Industries, Inc.



PRO-FX/DX ADVENTURE PACKAGE

99969-3763

PACKAGE PRICE:

>> **\$1788.95**

- QQR™ HALF WINDSHIELD, PLASTIC
- BRUSH GUARD
- REAR BUMPER
- FRONT CV JOINT GUARD SET
- REAR CV JOINT GUARD SET

- REARVIEW MIRROR
- WARN® VANTAGE™ 4000 WINCH
- WINCH MOUNT
- ACCESSORY FUSE BOX
(SHOWN ON MULE PRO-FX™ EPS LE)



Realtree APG-XTRA Camouflage Design ©2012 of Jordan Outdoor Enterprises, Ltd., All Rights Reserved



PRO-FX/DX SPORTSMAN PACKAGE

99969-3764

PACKAGE PRICE:

>> **\$1384.95**

- QQR™ FULL WINDSHIELD, PLASTIC
- ROOF AND BACK, REALTREE® XTRA® GREEN
- SOFT DOOR SET, REALTREE® XTRA® GREEN

- REALTREE® XTRA® GREEN SEAT COVER
- BRUSH GUARD

MULE

PRO-FXT™

MULE

PRO-DXT™



PRO-FXT/DXT UTILITY PACKAGE

99969-3765

PACKAGE PRICE:

>> **\$608.95**

- SEAT COVER, BLACK (2)
- QOR™ CARGO BOX
- QOR™ ACCESSORY MOUNT (2)
- HORN
- REAR BUMPER
- REARVIEW MIRROR
- CARGO BED DIVIDER
- 2" HITCH DRAWBAR, 4" DROP
- CHROME HITCH BALL, 2"
- REDUCER BUSHING



PRO-FXT/DXT OPEN RANGE PACKAGE

99969-3766

PACKAGE PRICE:

>> **\$1957.95**

- QOR™ FULL WINDSHIELD, PLASTIC
- LED LIGHT BAR
- LED LIGHT BAR HARNESS KIT
- BRUSH GUARD
- REAR BUMPER
- TAIL LIGHT GUARD SET
- FRONT FLOOR MAT SET
- REAR FLOOR MAT SET
- QOR™ CARGO BOX
- QOR™ ACCESSORIES MOUNT (2)
- 2" HITCH DRAWBAR, 4" DROP
- CHROME HITCH BALL, 2"
- REDUCER BUSHING
- ACCESSORY FUSE BOX

MULE PRO-FXT[®]

MULE PRO-DXT[™]



WARN[®], the WARN logo and THE RED HOOK STRAP are registered trademarks of Warn Industries, Inc. ProVantage[™] and Vantage[™] are trademarks of Warn Industries, Inc.



PRO-FXT/DXT ADVENTURE PACKAGE

99969-3767

PACKAGE PRICE:

>> \$1533.95

- KQR[™] HALF WINDSHIELD, PLASTIC
- BRUSH GUARD
- REAR BUMPER
- FRONT CV JOINT GUARD SET

- REAR CV JOINT GUARD SET
- REARVIEW MIRROR
- WARN[®] VANTAGE[™] 4000 WINCH
- WINCH MOUNT
- ACCESSORY FUSE BOX



Realtree APG-XTRA Camouflage Design ©2012 of Jordan Outdoor Enterprises, Ltd., All Rights Reserved



PRO-FXT/DXT SPORTSMAN PACKAGE

99969-3768

PACKAGE PRICE:

>> \$1771.95

- KQR[™] FULL WINDSHIELD, PLASTIC
- ROOF AND BACK, REALTREE[®] XTRA[®] GREEN
- SOFT DOOR SET, REALTREE[®] XTRA[®] GREEN

- REALTREE[®] XTRA[®] GREEN SEAT COVER
- BRUSH GUARD



Kawasaki

KAWASAKI MOTORS CORP., U.S.A.

©2018 KAWASAKI MOTORS CORP., U.S.A. PRINTED IN USA

MANUFACTURER'S SUGGESTED RETAIL PRICES SHOWN. PRICES, PRODUCT AND SPECIFICATIONS ARE SUBJECT TO CHANGE WITHOUT NOTICE OR LIABILITY. AVAILABILITY IS SUBJECT TO PRODUCTION, STOCKING AND DEMAND.

WWW.KAWASAKI.COM/ACCESSORIES

P/N: K919ML-ACC

ALL OTHER TRADEMARKS, REGISTERED TRADEMARKS, LOGOS, AND COPYRIGHTS ARE THE PROPERTY OF THEIR RESPECTIVE OWNERS.

