

MULE PRO - FX™ / FXT™ / DX™ / DXT™

KAWASAKI GENUINE ACCESSORIES



MULE®

Kawasaki

MULE®



KAWASAKI GENUINE ACCESSORIES TABLE OF CONTENTS

HARD CAB ENCLOSURE	3
HARD CAB ENCLOSURE ACCESSORIES	9
ROOFS	13
WINDSHIELDS.....	15
CAB	17
MIRRORS	21
SOFT CAB ENCLOSURE	23
PLOW.....	25
WINCHES	27
GUARDS	29
LIGHTING.....	33
BED ACCESSORIES	35
HUNTING.....	39
TOWING.....	41
COVERS.....	42

PACKAGE BUILDS

HARD CAB ENCLOSURE PACKAGE	43
RECREATION PACKAGE	45
SNOW PLOW PACKAGE	47
HUNTING PACKAGE.....	49







HARD CAB ENCLOSURE

MULE PRO-FXT™ / MULE PRO-DXT™



MULE PRO-FX™ / MULE PRO-DX™



HARD CAB ENCLOSURE



MULE PRO-FXT™ / MULE PRO-DXT™



MULE PRO-FXT™ (15-18) / PRO-DXT™ (16-18)

ROOF AND FRAME.....	KAF080-003.....	\$2,619.95
FRONT DOORS (SET OF 2).....	KAF080-004.....	\$1,689.95
REAR DOORS (SET OF 2).....	KAF080-005.....	\$1,689.95
REPLACEMENT ROOF.....	KAF080-056.....	\$1,299.95
KQR™ FULL WINDSHIELD, GLASS.....	KAF080-041.....	\$699.95
KQR™ FULL WINDSHIELD, PLASTIC.....	KAF080-001.....	\$599.95
FLIP-UP POLYCARBONATE WINDSHIELD.....	99994-0753.....	\$769.95
HEAVY-DUTY SPRING SET.....	99994-0514.....	\$234.95

WARN®, the WARN logo and THE RED HOOK STRAP are registered trademarks of Warn Industries, Inc. ProVantage™ and Vantage™ are trademarks of Warn Industries, Inc.



TRANSFORM THE WAY YOU LIVE

Outfitting your vehicle with a Hard Cab Enclosure helps provide in-cabin comfort and protection from the weather · Constructed of black double wall TPO plastic with steel framework · Installation of the Hard Cab Enclosure does not impact ease of vehicle transformation · Roof tilts on gas shocks for easy access to engine · Each door features lockable latches, sliding safety glass side windows, and built-in mesh storage compartments for storage of small items · Front Doors and Rear Doors are sold separately in sets of two · Clear sliding window partition between front and rear seats to allow for complete cab enclosure whether in 3 or 6 passenger mode

The MULE PRO-FXT™/PRO-DXT™ Hard Cab Enclosure required components include Hard Cab Enclosure Roof and Frame (KAF080-003), Front Door Set (KAF080-004), Rear Door Set (KAF080-005), QQR™ Full Windshield, Glass (KAF080-041) or QQR™ Full Windshield, Plastic (KAF080-001), or Flip-Up Polycarbonate Windshield (99994-0753), and Heavy-Duty Spring Set (99994-0514), all sold separately · Optional cab components such as Heater (KAF080-008), Side Mirror Set (KAF080-014), Beacon Strobe Light (KAF080-028), Cargo Light (KAF080-031), LED Dome Light Set (KAF080-029), Cabin Fan (KAF080-042), Heater (KAF080-008), Windshield Washer (KAF080-024), Windshield Wiper (KAF080-011), Accessory Fuse Box (99994-1082) (18) or (KAF080-076) (15-17), Front Accessory Harness (KAF080-043), and Rear Accessory Harness (KAF080-044) are also sold separately

Remove for towing or use an enclosed trailer when transporting a vehicle with a Hard Cab Enclosure installed.

HARD CAB ENCLOSURE



The Hard Cab Enclosure helps provide in-cabin comfort and occupant protection from the weather · Constructed of double wall TPO plastic with a steel framework · Two large fresh air vents on top portion of rear window of cab to help increase ventilation · Each door features lockable latches, sliding safety-glass side windows, and built-in mesh storage compartments for storage of small items · Doors are sold separately in sets of two

Hard Cab Enclosure required components include Hard Cab Enclosure Roof (KAF080-060), Hard Cab Enclosure Rear Panel (KAF080-061), Hard Cab Enclosure Door Set (KAF080-062), and QQR™ Full Windshield, Glass (KAF080-041) or QQR™ Full Windshield, Plastic (KAF080-001) or Flip-Up Polycarbonate Windshield (99994-0753), all sold separately · Optional cab components such as Heavy-Duty Spring Set (99994-0514), Heater (KAF080-008), Side Mirror Set (KAF080-014), Beacon Strobe Light (KAF080-079), Cargo Light (KAF080-078), LED Dome Light (KAF080-035), Cabin Fan (KAF080-023), Windshield Washer (KAF080-024), Windshield Wiper (KAF080-011), Accessory Fuse Box (99994-1082) (18) or (KAF080-076) (15-17), Front Accessory Harness (KAF080-043), and Rear Accessory Harness (KAF080-044) are also sold separately



MULE PRO-FX™ (16-18) / PRO-DX™ (16-18)

ROOF.....	KAF080-060.....	\$699.95
REAR PANEL.....	KAF080-061.....	\$814.95
DOOR SET.....	KAF080-062.....	\$2,779.95
QQR™ FULL WINDSHIELD, GLASS.....	KAF080-041.....	\$699.95
QQR™ FULL WINDSHIELD, PLASTIC.....	KAF080-001.....	\$599.95
FLIP-UP POLYCARBONATE WINDSHIELD.....	99994-0753.....	\$769.95

WARN®, the WARN logo and THE RED HOOK STRAP are registered trademarks of Warn Industries, Inc. ProVantage™ and Vantage™ are trademarks of Warn Industries, Inc.

Remove for towing or use an enclosed trailer when transporting a vehicle with a Hard Cab Enclosure installed.



MULE PRO-FX™ / MULE PRO-DX™





CARGO LIGHT



MULE PRO-FXT™ / MULE PRO-DXT™



CARGO LIGHT

Working late into the night? Illuminate your cargo or simply shed some light on the rear of your vehicle · LED flood light · 1100 lumens · Cast aluminum housing with black powder coat finish · Includes mounting bracket and hardware to mount Cargo Light to Hard Cab Enclosure · Conveniently operated by dash mounted switch · Mounts to Hard Cab Enclosure · Hard Cab Enclosure (KAF080-003 or KAF080-060) and related components required · Mounting position varies per model · Requires Kawasaki Genuine Accessory Fuse Box (99994-1082) (18) or (KAF080-076) (15-17) and Rear Accessory Harness (KAF080-044) to operate

MULE PRO-FXT™ (15-18) / PRO-DXT™ (16-18)

CARGO LIGHT.....KAF080-031.....\$379.95

MULE PRO-FX* (16-18) / PRO-DX* (16-18)

CARGO LIGHT.....KAF080-078.....\$379.95

SIDE MIRROR SET

Mirrors are enclosed in a durable black housing · Easily installs to your Front Hard Cab Enclosure Doors (KAF080-062 or KAF080-004) · Hard Cab Enclosure (KAF080-060 or KAF080-003) and related components required

MULE PRO-FXT™ (15-18) / PRO-DXT™ (16-18) / PRO-FX* (16-18) / PRO-DX* (16-18)

SIDE MIRROR SET.....KAF080-014.....\$119.95



SIDE MIRROR SET

LED BEACON STROBE LIGHT

Industrial grade components · LED bulbs · 40W / 12-80VDC · Acrylic amber colored lens and nylon base · SAE J575 and J845 compliant and waterproof to IP67 rating · Hard Cab Enclosure (KAF080-060 or KAF080-003) and related components required · Also requires Kawasaki Genuine Accessory Fuse Box (99994-1082) (18) or (KAF080-076) (15-17) and Rear Accessory Harness (KAF080-044) to operate

MULE PRO-FXT™ (15-18) / PRO-DXT™ (16-18)

LED BEACON STROBE LIGHT
KAF080-028.....\$599.95

MULE PRO-FX* (16-18) / PRO-DX* (16-18)

LED BEACON STROBE LIGHT
KAF080-079.....\$419.95



LED BEACON STROBE LIGHT

MULE PRO-FX™ / MULE PRO-DX™



Genuine Accessories



ACCESSORY FUSE BOX



FRONT

REAR

ACCESSORY HARNESS

ACCESSORY FUSE BOX

The Accessory Fuse Box allows for the seamless integration and the convenience of operating up to 6 Kawasaki Genuine Accessories from the comfort and confines of your vehicle's cabin · Required for installation of WARN® ProVantage™ Plow Systems and Winches

MULE PRO-FXT™ (15-18) / PRO-DXT™ (16-18) / PRO-FX™ (16-18) / PRO-DX™ (16-18)

ACCESSORY FUSE BOX (18).....99994-1082.....\$329.95

ACCESSORY FUSE BOX (15-17).....KAF080-076.....\$319.95

ACCESSORY HARNESS

Power your vehicle's electronic accessories the easy way · The Front and Rear Accessory Harnesses offer a convenient plug-in location for mounted accessories and routes otherwise unsightly wires through pre-molded channels in the Hard Cab Enclosure Roof · Hard Cab Enclosure (KAF080-060 or KAF080-003) and related components may be required

MULE PRO-FXT™ (15-18) / PRO-DXT™ (16-18) / PRO-FX™ (16-18) / PRO-DX™ (16-18)

FRONT ACCESSORY HARNESS.....KAF080-043.....\$99.95

REAR ACCESSORY HARNESS.....KAF080-044.....\$69.95

CABIN FAN

Used primarily for warmer weather · Increases airflow within the Hard Cab Enclosure by drawing in outside air · Mounts to top of Hard Cab Enclosure Roof · Conveniently operated by dash mounted switch · Dealer installation recommended · Hard Cab Enclosure (KAF080-060 or KAF080-003) and related components required · Also requires Kawasaki Genuine Accessory Fuse Box (99994-1082) (18) or (KAF080-076) (15-17) and Rear Accessory Harness (KAF080-044) to operate

MULE PRO-FXT™ (15-18) / PRO-DXT™ (16-18) / PRO-FX™ (16-18) / PRO-DX™ (16-18)

CABIN FAN.....KAF080-023.....\$249.95

WARN®, the WARN logo and THE RED HOOK STRAP are registered trademarks of Warn Industries, Inc. ProVantage™ and Vantage™ are trademarks of Warn Industries, Inc.

CABIN FAN





WINDSHIELD WIPER

WINDSHIELD WIPER

Clear debris off the windshield with our Windshield Wiper. The kit mounts to the upper center portion of your windshield. Switch operated. Features a 110° sweep radius. 20" black flex blade. Windshield Washer (KAF080-024) recommended. For use on glass windshield only. Hard Cab Enclosure (KAF080-060 or KAF080-003) and related components required. Requires Full Windshield - Glass (KAF080-041), Front Accessory Harness (KAF080-043) and Accessory Fuse Box (99994-1082) (18) or (KAF080-076) (15-17)

MULE PRO-FXT™ (15-18) / PRO-DXT™ (16-18) / PRO-FX™ (16-18) / PRO-DX™ (16-18)

WINDSHIELD WIPER.....KAF080-011.....\$259.95

WINDSHIELD WASHER

Directs washing fluid onto accessory glass windshield. Flexible plastic container holds cleaning solution. For use on glass windshield only. Hard Cab Enclosure (KAF080-060 or KAF080-003) required. Requires Glass Windshield (KAF080-041), Windshield Wiper (KAF080-011), and Accessory Fuse Box (99994-1082) (18) or (KAF080-076) (15-17)

MULE PRO-FXT™ (15-18) / PRO-DXT™ (16-18) / PRO-FX™ (16-18) / PRO-DX™ (16-18)

WINDSHIELD WASHER.....KAF080-024.....\$180.95



WINDSHIELD WASHER

HEAVY-DUTY SPRING SET

Heavy-Duty Springs increase bottoming resistance when carrying a heavy load and/or when heavy accessories such as a Kawasaki Genuine Hard Cab Enclosure (KAF080-060 or KAF080-003) or Plow System are installed. Optional on MULE PRO-FXT™ / MULE PRO-DXT™. Steel springs with gloss black finish. Two front springs and two rear springs included. Direct replacement of stock springs

MULE PRO-FXT™ (15-18) / PRO-DXT™ (16-18) / PRO-FX™ (16-18) / PRO-DX™ (16-18)

HEAVY-DUTY SPRING SET.....99994-0514.....\$234.95



HEAVY-DUTY SPRING SET



HARD CAB ENCLOSURE ACCESSORIES



HEATER



LED DOME LIGHT



BLOCK HEATER

HEATER

This fully integrated system dramatically improves in-cabin comfort during those cold mornings and long winters · Utilizes the heat generated from your engine's liquid cooling system · Distributes hot air throughout the cabin via two adjustable automotive style floor vents · The system also features a windshield defroster vent to eliminate condensation or clear frost from your windshield · 2-speed blower · 22,000 BTU · Durable textured black powder coating · Hard Cab Enclosure and related components required · Can be used alone or as an optional component of the Hard Cab Enclosure · Must be installed prior to Hard Cab Enclosure installation

MULE PRO-FXT™ (15-17) / PRO-DXT™ (16-18) / PRO-FX™ (16-18) / PRO-DX™ (16-18)

HEATER.....KAF080-008.....\$699.95

LED DOME LIGHT

LED Dome Light illuminates the interior of your vehicle's cabin · Battery operated design allows for a quick, wireless installation · Black light housing · Hard Cab Enclosure (KAF080-060 or KAF080-003) and related components required · Battery CR2450

MULE PRO-FXT™ (15-18) / PRO-DXT™ (16-18)

LED DOME LIGHT, SET.....KAF080-029.....\$54.95

MULE PRO-FX™ (16-18) / PRO-DX™ (16-18)

LED DOME LIGHT.....KAF080-035.....\$35.95

BLOCK HEATER

The diesel Block Heater provides heat to the engine for easier starting in extreme cold · Keeps engine warm in cold temperatures · Helps reduce cold start engine damage · Simple to install · Efficient way to pre-heat your engine · Plugs into household 110V outlet · Includes all mounting hardware and wiring

MULE PRO-DXT™ (16-18) / PRO-DX™ (16-18)

BLOCK HEATER.....99994-0741.....\$146.95

WARN®, the WARN logo and THE RED HOOK STRAP are registered trademarks of Warn Industries, Inc. ProVantage™ and Vantage™ are trademarks of Warn Industries, Inc.

ROOFS



MULE PRO-FXT™ / MULE PRO-DXT™



SOFT ROOF

One of our most popular accessories for a good reason - This stylish Soft Roof quickly and seamlessly installs for full overhead coverage and weather protection on the trail. Made from 600 denier Sur Last® water-resistant fabric. Available in black or Realtree® Xtra® Green. Tightly straps to the vehicle Roll Over Protective Structure (ROPS) for an integrated fit. Installation does not impact ease of vehicle transformation on the MULE PRO-FXT™ / PRO-DXT™. Compatible with KQR™ Half Windshield (KAF080-027), KQR™ Full Windshield, Plastic (KAF080-001), or Flip-Up Polycarbonate Windshield (99994-0753)

Remove for towing or use an enclosed trailer when transporting a vehicle with a Soft Roof installed

MULE PRO-FXT™ (15-18) / PRO-DXT™ (16-18)

BLACK.....KAF080-018.....\$149.95

REALTREE® XTRA® GREEN.....KAF080-045.....\$159.95

MULE PRO-FXT™ (16-18) / MULE PRO-DXT™ (16-18)

BLACK.....KAF080-071.....\$149.95

REALTREE® XTRA® GREEN.....KAF080-072.....\$159.95

Realtree APG-XTRA Camouflage Design ©2012 of Jordon Outdoor Enterprises, Ltd., All Rights Reserved



MULE PRO-FXT™ / MULE PRO-DXT™





MULE PRO-FXT™ / MULE PRO-DXT™



MULE PRO-FX™ / MULE PRO-DX™

PLASTIC ROOF

This semi-rigid Plastic Roof helps offer passenger protection from harsh weather and sun. Integrated rear hinge to allow for operation of your tilt bed. Contoured lightweight design for added style. Made from semi-rigid black textured plastic. Can use alone or with KQR™ Half Windshield (KAF080-027), KQR™ Full Windshield, Plastic (KAF080-001), or Flip-Up Polycarbonate Windshield (99994-0753). Original equipment on LE models. Not compatible with Hard Cab Enclosure (KAF080-003 or KAF080-060) accessories.

Remove for towing or use an enclosed trailer when transporting a vehicle with a Plastic Roof installed.

MULE PRO-FXT™ (15-18) / PRO-DXT™ (18)

PLASTIC ROOF.....99994-0545.....\$399.95

MULE PRO-FX™ (16-18) / MULE PRO-DX™ (16-18)

PLASTIC ROOF.....99994-0571.....\$299.95



FLIP-UP POLYCARBONATE WINDSHIELD



FLIP-UP POLYCARBONATE WINDSHIELD

Three-position Flip-Up Polycarbonate Windshield provides the option for a sealed windshield with the ability to flip up to let just the right amount of air into the cabin. Closed and vented positions allow occupants to limit air flow when driving while the fully open position provides maximum airflow while stopped. Made from 4.5mm (0.177") scratch-resistant polycarbonate (hard coated). Can be used alone or as a component of the Hard or Soft Cab Enclosures.

Towable in forward facing position only. Flip-Up Polycarbonate Windshield must be in the closed and locked position.

MULE PRO-FXT™ (15-18) / PRO-DXT™ (16-18) / MULE PRO-FX™ (16-18) / MULE PRO-DX™ (16-18)

FLIP-UP POLYCARBONATE WINDSHIELD 99994-0753 \$769.95

Available Fall 2017



WINDSHIELDS

KQR™ HALF WINDSHIELD, PLASTIC



KQR™ HALF WINDSHIELD, PLASTIC

Deflect direct wind blasts while maintaining comfortable air-flow throughout cabin with the KQR™ Half Windshield. KQR™ mounting system allows for easy installation or removal once installed. Made from scratch-resistant polycarbonate. Drilling required for center mount bracket.

Remove for towing or use an enclosed trailer when transporting a vehicle with a KQR™ Half Windshield installed.

MULE PRO-FXT™ (15-18) / PRO-DXT™ (16-18) / MULE PRO-FX™ (16-18) / MULE PRO-DX™ (16-18)

KQR™ HALF WINDSHIELD, PLASTIC.....KAF080-027.....\$209.95

KQR™ FULL WINDSHIELD, PLASTIC

The KQR™ Full Windshield, Plastic can be quickly installed or removed. Helps provide protection from wind for improved in-cabin comfort. Three large fresh-air vents on windshield open and close to increase airflow in cabin. Made from scratch-resistant polycarbonate. Drilling required for center mount bracket. Can be used alone or as a component of the Hard or Soft Cab Enclosures. Windshield Washer (KAF080-024) and Windshield Wiper (KAF080-011) not compatible with KQR™ Full Windshield, Plastic (KAF080-001).

Remove for towing or use an enclosed trailer when transporting a vehicle with a KQR™ Full Windshield, Plastic installed.

MULE PRO-FXT™ (15-18) / PRO-DXT™ (16-18) / MULE PRO-FX™ (16-18) / MULE PRO-DX™ (16-18)

KQR™ FULL WINDSHIELD, PLASTIC.....KAF080-001.....\$599.95

KQR™ FULL WINDSHIELD, GLASS

The KQR™ Full Windshield, Glass can be quickly installed or removed with minimal use of tools once installed. Helps provide protection from wind and debris for improved in-cabin comfort. Two large fresh-air vents on top portion of windshield open and close to increase airflow in cab. Made from DOT approved AS1 safety glass. Not for individual use. Hard Cab Enclosure (KAF080-060 or KAF080-003) and related components required.

Remove for towing or use an enclosed trailer when transporting a vehicle with a KQR™ Full Windshield, Glass installed.

MULE PRO-FXT™ (15-18) / PRO-DXT™ (16-18) / MULE PRO-FX™ (16-18) / MULE PRO-DX™ (16-18)

KQR™ FULL WINDSHIELD, GLASS.....KAF080-041.....\$709.95

KQR™ FULL WINDSHIELD, PLASTIC



KQR™ FULL WINDSHIELD, GLASS



CAB



AUDIO SYSTEM



CENTER CONSOLE





AUDIO SYSTEM

Built to withstand the elements, this compact Audio System is packed with features that make it easier to listen to audio in remote locations. Located within the polyethylene plastic housing is a compact marine grade 4" AM/FM stereo, two compact 3" marine grade speakers, USB and AUX input adapter and amplified internal antenna. The USB input allows for the playback of MP3/WMA (windows media audio) files from compatible flash drives. The system is pre-assembled and ready to mount to your dash with a simple two-wire, plug-and-play installation.

ADDITIONAL STEREO FEATURES:

AM/FM/USB stereo · Long-range amplified internal antenna provides amazing clarity · Large, daylight readable LCD display with blue backlit controls for a user-friendly interface · Marine grade IPX6 waterproof design · 40w x 4 maximum output for powerful sound · RCA amplifier line-out · Audio tone, balance, and fade controls

ADDITIONAL SPEAKERS FEATURES:

3" marine grade 2-way speakers · Waterproof, corrosion and UV resistant · Bridged woofers/tweeters · Rubber suspension polypropylene cones · 60 watts max power · 30 watts RMS power

MULE PRO-FXT™ (15-18) / PRO-DXT™ (16-18) / PRO-FX™ (16-18) / PRO-DX™ (16-18)

AUDIO SYSTEM KAF080-019 \$499.95

CENTER CONSOLE

Store small tools, important documents and any additional items in this durable water-resistant Center Console. Hinged lid locks into place when closed. Dual drink holders molded into console. Console is covered with a 19mm (3/4") thick foam pad for driver and passenger comfort. Attaches quickly and easily to the front bench seat in the center passenger position with provided shock cords. Made of roto-molded HDPE with a textured black finish. Dimensions of Center Console are 533mm (21") L x 260mm (10 1/4") W x 203mm (8") H.

MULE PRO-FXT™ (15-18) / PRO-DXT™ (16-18) / PRO-FX™ (16-18) / PRO-DX™ (16-18)

CENTER CONSOLE KAF080-032 \$119.95

FLOOR MAT SET

These 4.7mm (3/16") extra thick rubber mats have been molded for a perfect fit and mount directly to the floorboard to prevent movement while operating. The extra thick rubber also helps to reduce sound levels caused from vibration.

MULE PRO-FXT™ (15-18) / PRO-DXT™ (16-18) / PRO-FX™ (16-18) / PRO-DX™ (16-18)

FRONT FLOOR MAT SET KAF080-033 \$144.95

MULE PRO-FXT™ (15-18) / PRO-DXT™ (16-18)

REAR FLOOR MAT SET KAF080-034 \$134.95

UNIVERSAL IGNITION SWITCH



UNIVERSAL IGNITION SWITCH

The Universal Ignition Switch allows the use of one key for many different vehicles. Simply replace the stock ignition switch with the Universal Ignition Switch in all of the vehicles with which you would like to use the same key.

MULE PRO-FXT™ (15-18) / PRO-DXT™ (16-18) / PRO-FX™ (16-18) / PRO-DX™ (16-18)

UNIVERSAL IGNITION SWITCH 27005-0626 \$49.95





CONTOURED FRONT SEAT

Thick cushioned seat provides superior comfort · Contoured seat bottom cups driver and passenger into the seat · Durable seat material remains flexible in cool temperatures · Not for rear seat replacement in MULE PRO-FXT™, MULE PRO-DXT™ side x sides

MULE PRO-FXT™ (15-18) / PRO-DXT™ (16-18) / PRO-FX™ (16-18) / PRO-DX™ (16-18)

CONTOURED FRONT SEAT 99994-0874 TBD

Available Fall 2017

UNDERSEAT STORAGE BIN (2018)

Storage space is always at premium, especially when on the trail or at the job site · Add an additional 28 liters of storage capacity securely and out of sight with this easy-to-access Underseat Storage Bin · Mounts under front bench seat with no added hardware · Polyethylene construction · Matching snap-on lid to keep your cargo protected · Storage Bin removes easily for cleaning once installed

MULE PRO-FXT™ (18) / PRO-DXT™ (18) / PRO-FX™ (18) / PRO-DX™ (18)

UNDERSEAT STORAGE BIN 99994-1029 \$199.95

UNDERSEAT STORAGE BIN (2015-2017)

Storage space is always at premium, especially when on the trail or at the job site · Add an additional 22 liters of storage securely and out of sight with this easy-to-access Under Seat Storage Bin · Mounts under front bench seat · Polyethylene construction with black powder coated steel brackets · Matching snap-on lid · Storage Bin removes easily once installed · 22 liter storage capacity

MULE PRO-FXT™ (15-17) / PRO-DXT™ (16-17) / PRO-FX™ (16-17) / PRO-DX™ (16-17)

UNDERSEAT STORAGE BIN KAF080-036 \$299.95



CONTOURED FRONT SEAT



UNDERSEAT STORAGE BIN (2018)



UNDERSEAT STORAGE BIN (2015-2017)



HORN

HORN

Install a horn to alert others of your presence while on the job site or the trail · Mounts internally · Wire harness and switch included

MULE PRO-FXT™ (15-18) / PRO-DXT™ (16-18) / PRO-FX* (16-18) / PRO-DX* (16-18)

HORN.....99994-0455.....\$39.95



DUAL BATTERY KIT

DUAL BATTERY KIT

Add a second battery to your MULE PRO-FXT™ / MULE PRO-DXT™ side x side with this easy to install Dual Battery Kit · This kit allows you to maintain two batteries in your vehicle · The Intelligent Solenoid (IS) manages the charging of both batteries while the vehicle is running and isolates them when the vehicle is off · This system also allows the second battery to be charged and/or isolated automatically · Requires Battery (26012-0107), Accessory Fuse Box (99994-1082) (18) or (KAF080-076) (15-17), Battery Terminal Cap (11065-0285), Nut (92015-1406) qty 2, Bracket (92072-0128), Bushing (92152-0794) qty 2, Bolt (92151-1788) qty 2, Damper (92161-0578), and Damper (92161-0579) all sold separately

MULE PRO-FXT™ (15-18) / MULE PRO-DXT™ (16-18) / PRO-FX* (16-18) / PRO-DX* (16-18)

DUAL BATTERY KIT.....KAF080-025.....\$399.95

DUAL DC POWER OUTLET KIT

Dual 12V DC power sockets for rear seat area · Installs at panel and plugs into vehicle wiring harness · Waterproof caps · Requires Accessory Fuse Box (99994-1082) (18) or (KAF080-076) (15-17) and Front Accessory Harness (KAF080-043)

MULE PRO-FXT™ (15-18) / MULE PRO-DXT™ (16-18)

DUAL DC POWER OUTLET KIT.....99994-0595.....\$68.95



DUAL DC POWER OUTLET KIT

BACK-UP BEEPER

Whether on the job site or the farm, a Back-Up Beeper is a useful addition to alert others that your vehicle is reversing · Emits 97db · Product meets O.S.H.A. regulations and SAEJ994 standards · Black with steel housing · Wires directly to the reverse switch on the transmission

MULE PRO-FXT™ (15-18) / PRO-DXT™ (16-18) / PRO-FX* (16-18) / PRO-DX* (16-18)

BACK-UP BEEPER.....KAF080-030.....\$135.95



BACK-UP BEEPER



STANDARD SIDE MIRROR SET



PREMIUM SIDE MIRROR SET

STANDARD SIDE MIRROR SET

Vertical shatter-resistant safety glass mirror sits in high-impact plastic housing · Convex mirror surface increases the driver's field of view · Adaptive 360° bracket rotation provides optimal viewing position · Mirrors attach directly to vehicle ROPS · Not compatible with Soft Cab Enclosures

MULE PRO-FXT™ (15-18) / PRO-DXT™ (16-18) / PRO-FX™ (16-18) / PRO-DX™ (16-18)

STANDARD SIDE MIRROR SET.....99994-0855.....\$59.95

PREMIUM SIDE MIRROR SET

Horizontal shatter-resistant safety glass mirror sits in cast aluminum armored housing · Convex mirror surface increases the driver's field of view · Adaptive 360° bracket rotation provides optimal viewing position · An enclosed floating mirror mount helps adjust and protect the mirror within its housing · Kawasaki logos are embossed on the seal cap and back · Cap is weather sealed to help protect the hardware from moisture and debris · Mirrors attach directly to vehicle ROPS · Lifetime guarantee through Seizmik · Not compatible with Soft Cab Enclosures

MULE PRO-FXT™ (15-18) / PRO-DXT™ (16-18) / PRO-FX™ (16-18) / PRO-DX™ (16-18)

PREMIUM SIDE MIRROR SET.....99994-0856.....\$154.95



MIRRORS



MULE®

REARVIEW MIRROR

3D curved safety glass mirror provides excellent field of view • Durable textured black powder coating • Aluminum mounting with 43mm diameter clamp

MULE PRO-FXT™ (15-18) / PRO-DXT™ (16-18) / PRO-FX™ (16-18) / PRO-DX™ (16-18)

REARVIEW MIRROR.....TX750-077.....\$59.95



REARVIEW MIRROR

SOFT CAB ENCLOSURE



MULE PRO-FXT™ / MULE PRO-DXT™

Installation of the Soft Cab Enclosure does not impact ease of vehicle transformation

· Doors offered as a set of 4 in black (KAF080-016) or Realtree® Xtra® Green (KAF080-047) · Doors fasten to the existing bodywork and are held closed with a unique magnet latching system · Large side windows offer additional interior light and unzip for added ventilation · Clear zip partition between front and rear seats allows for complete cab enclosure whether in 3 or 6 passenger mode · Requires QQR™ Full Windshield, Plastic (KAF080-001) or Flip-Up Polycarbonate Windshield (99994-0753), sold separately to complete Cab Enclosure system

Remove for towing or use an enclosed trailer when transporting a vehicle with a Soft Cab Enclosure installed

MULE PRO-FXT™ (15-18)

ROOF AND BACK, BLACK	KAF080-015	\$369.95
ROOF AND BACK, REALTREE® XTRA® GREEN	KAF080-046	\$389.95
SOFT DOORS, BLACK, SET OF 4	KAF080-016	\$699.95
SOFT DOORS, REALTREE® XTRA® GREEN, SET OF 4	KAF080-047	\$719.95
QQR™ FULL WINDSHIELD, PLASTIC	KAF080-001	\$599.95
FLIP-UP POLYCARBONATE WINDSHIELD	99994-0753	\$769.95

**CUSTOMIZATION WITH KAWASAKI
GENUINE SOFT CAB ENCLOSURE
PROVIDES A LIGHTWEIGHT AND
STYLISH PACKAGE**

**MADE FROM 600 DENIER SUR LAST®
WATER-RESISTANT FABRIC**



MULE PRO-FX™ / MULE PRO-DX™

Rear window zips open for increased cabin airflow · Doors fasten to the existing bodywork and are held closed with a unique magnet latching system · Large side windows offer additional light and unzip for added ventilation · Doors are offered as a set of two in black (KAF080-068) or Realtree® Xtra® Green (KAF080-070), sold separately and must be attached to Soft Cab Enclosure · Requires QQR™ Full Windshield, Plastic (KAF080-001) or Flip-Up Polycarbonate Windshield (99994-0753) to complete Soft Cab Enclosure system

Remove for towing or use an enclosed trailer when transporting a vehicle with a Soft Cab Enclosure installed

MULE PRO-FX™ (16-18) / PRO-DX™ (16-18)

ROOF AND BACK, BLACK.....	KAF080-067.....	\$259.95
ROOF AND BACK, REALTREE® XTRA® GREEN.....	KAF080-069.....	\$284.95
SOFT DOORS, BLACK.....	KAF080-068.....	\$419.95
SOFT DOORS, REALTREE® XTRA® GREEN.....	KAF080-070.....	\$446.95
QQR™ FULL WINDSHIELD, PLASTIC.....	KAF080-001.....	\$599.95
FLIP-UP POLYCARBONATE WINDSHIELD.....	99994-0753.....	\$769.95

Realtree APG-XTRA Camouflage Design ©2012 of Jordon Outdoor Enterprises, Ltd., All Rights Reserved



Increase the capabilities of your MULE PRO-FXT™ / PRO-DXT™ / PRO-FX™ / PRO-DX™ side x side by adding a WARN® ProVantage™ Front Mount Plow. Designed specifically for your MULE™ vehicle, this plow features an easy-to-use rapid connection system. With this system, you can plow away unwanted material, disconnect the plow and free your MULE™ side x side for other applications

PLOW MOUNT

3-step rapid connection system featuring a self-locating pin allows you to remove the Plow Blade and Base quickly · Mount is located at the front of the vehicle

MULE PRO-FXT™ (15-18) / PRO-DXT™ (16-18) / PRO-FX™ (16-18) / PRO-DX™ (16-18)

PLOW MOUNT _____ KAF080-009 _____ \$379.95

PLOW BASE

The WARN® Plow Base assembly features an extra wide design for a forward trip system, and an interlocked rotating base plate · Designed for strength, durability, and impact resistance · 5 point adjustment system (30°, 15°, 0°, -15°, -30°) offers a solution for a wide range of plowing scenarios

MULE PRO-FXT™ (15-18) / PRO-DXT™ (16-18) / PRO-FX™ (16-18) / PRO-DX™ (16-18)

PLOW BASE _____ KW79805 _____ \$369.95

PLOW BLADE

Made from thick 12-gauge steel with heavy-duty ribbing and a center cross member for added rigidity · Boxed design adds extra support · Special low-friction powdercoated finish helps keep material from sticking to the blade · 1,829mm (72") width allows you to move a large amount of material at one time

MULE PRO-FXT™ (15-18) / PRO-DXT™ (16-18) / PRO-FX™ (16-18) / PRO-DX™ (16-18)

PLOW BLADE _____ KW79958 _____ \$389.95

WINCH MOUNT

A Winch Mount is required when installing a WARN® ProVantage™ or Vantage™ winch and roller fairlead to your vehicle · Four-bolt pattern facilitates installation of WARN® products

MULE PRO-FXT™ (15-18) / PRO-DXT™ (16-18) / PRO-FX™ (16-18) / PRO-DX™ (16-18)

WINCH MOUNT _____ 99994-0687 _____ \$114.95

ACCESSORY FUSE BOX

The Accessory Fuse Box allows for seamless integration and the convenience of operating up to 6 Kawasaki Genuine Accessories from the comfort and confines of your vehicle's cabin · Required for installation of WARN® ProVantage™ Plow Systems and Winches

MULE PRO-FXT™ (15-18) / PRO-DXT™ (16-18) / PRO-FX™ (16-18) / PRO-DX™ (16-18)

ACCESSORY FUSE BOX (18) _____ 99994-1082 _____ \$329.95

ACCESSORY FUSE BOX (15-17) _____ KAF080-076 _____ \$319.95

Note: Accessory Fuse Box, Winch, and Winch Mount required for raising and lowering the Plow Blade.

PLOW



5 Point Adjustment System



ACCESSORY FUSE BOX

For a complete kit, order the following items:

PLOW MOUNT.....	KAF080-009
PLOW BASE.....	KW79805
PLOW BLADE.....	KW79958
WINCH MOUNT.....	99994-0687
ACCESSORY FUSE BOX (18).....	99994-1082
ACCESSORY FUSE BOX (15-17).....	KAF080-076

And your choice of winch:

4500S.....	KAF080-051
4500.....	KAF080-050
4000S.....	KAF080-053
4000.....	KAF080-052

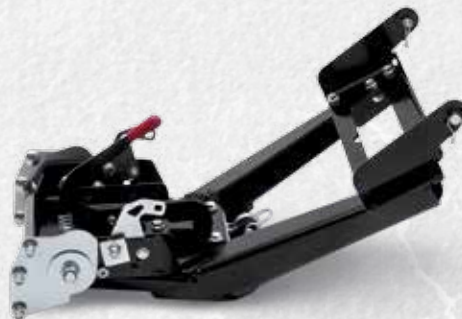
WARN®, the WARN logo and THE RED HOOK STRAP are registered trademarks of Warn Industries, Inc. ProVantage™ and Vantage™ are trademarks of Warn Industries, Inc.



WARN® PROVANTAGE™ PLOW SYSTEM



PLOW BLADE



PLOW BASE



PLOW MOUNT

WINCHES



WINCH MOUNT

A Winch Mount is required when installing a WARN® ProVantage™ or Vantage™ winch and roller fairlead to your vehicle - Four-bolt pattern facilitates installation of WARN® products

MULE PRO-FXT™ (15-18) / PRO-DXT™ (16-18) / PRO-FX™ (16-18) / PRO-DX™ (16-18)

WINCH MOUNT.....99994-0687.....\$114.95



WARN® PROVANTAGE™ WINCHES

- Hook, tie rods, and body feature attractive, corrosion-resistant black finish
- Three-stage planetary gear train for smooth, efficient operation
- Ergonomic clutch handle
- Patented roller disc brake
- Fully sealed motor and drive train to keep the elements out
- Includes illuminated dash-mounted control switch and corded remote
- All-metal gear housing and gears
- Warranty offered through Warn®: Limited lifetime, 3 year electrical (North America)



4500S WINCH

4,500 lb. capacity · 50' of 7/32" synthetic rope with double-powder-coated hawse fairlead · Pre cut wiring designed to work exclusively with Accessory Fuse Box (99994-1082) (18) or (KAF080-076) (15-17), sold separately for the MULE™ PRO Series side x sides · Winch, remote, and dash switch included

WARN® ProVantage™

4500S WINCH.....KAF080-051.....\$769.95

WARN® VANTAGE™ WINCHES

- Fully sealed motor and drive train to keep the elements out
- Three-stage planetary gear train for smooth, efficient operation
- High-strength composite gear housing and all-metal gears
- Mechanical spring brake
- Includes dash-mounted mini rocker switch and corded remote control
- Warranty offered through Warn®: Limited 5 year mechanical, 1 year electrical (North America)



4000S WINCH

4,000 lb. capacity · 50' of 7/32" synthetic rope and black powder-coated hawse fairlead · Pre cut wiring designed to work exclusively with Accessory Fuse Box (99994-1082) (18) or (KAF080-076) (15-17), sold separately for the MULE™ PRO Series side x sides · Winch, remote, and dash switch included

WARN® Vantage™

4000S WINCH.....KAF080-053.....\$509.95



4500 WINCH

4,500 lb. capacity · 55' of 7/32" wire rope and plow roller fairlead · Pre cut wiring designed to work exclusively with Accessory Fuse Box (99994-1082) (18) or (KAF080-076) (15-17), sold separately for the MULE™ PRO Series side x sides · Winch, remote, and dash switch included

WARN® ProVantage™

4500 WINCH.....KAF080-050.....\$649.95



4000 WINCH

4,000 lb. capacity · 55' of 7/32" wire rope and a roller fairlead · Pre cut wiring designed to work exclusively with Accessory Fuse Box (99994-1082) (18) or (KAF080-076) (15-17), sold separately for the MULE™ PRO Series side x sides · Winch, remote, and dash switch included

WARN® Vantage™

4000 WINCH.....KAF080-052.....\$399.95

WARN®, the WARN logo and THE RED HOOK STRAP are registered trademarks of Warn Industries, Inc. ProVantage™ and Vantage™ are trademarks of Warn Industries, Inc.



TAIL LIGHT GUARD SET

TAIL LIGHT GUARD SET

Reduce the risk of damage, and related repairs · Powder coated in textured black to provide a uniform look with stock components · Made of 2.2mm (1/16") thick steel
 · Some drilling and rivet gun required

MULE PRO-FXT™ (15-18) / PRO-DXT™ (16-18) / PRO-FX™ (16-18) / PRO-DX™ (16-18)

TAIL LIGHT GUARD SET 99994-0424 \$49.95

REAR BUMPER

This stylish yet functional accessory adds protection to the rear of your vehicle · Made of durable 48mm (1 7/8") thick steel · Powder coated in textured black to provide a uniform look with stock components
 · Does not interfere with Tail Light Guard visibility

MULE PRO-FXT™ (15-18) / PRO-DXT™ (16-18) / PRO-FX™ (16-18) / PRO-DX™ (16-18)

REAR BUMPER 99994-0413 \$179.95



REAR BUMPER



GUARDS

FRONT RACK

When on the trail or at the job site, additional storage for essential tools and equipment is important. Add additional easy access storage to your MULE PRO-FXT™ / PRO-DXT™ / PRO-FX™ / PRO-DX™ side x side with the Front Rack. Mounts to the front bumper and the ROPS. Black powder coated steel construction. Tilts forward for easy access to hood. Multiple tie-down points. 381mm (15") deep x 1,372mm (54") wide flat cargo area dimensions.

MULE PRO-FXT™ (15-18) / PRO-DXT™ (16-18) / PRO-FX™ (16-18) / PRO-DX™ (16-18)

FRONT RACK.....KAF080-021.....\$549.95

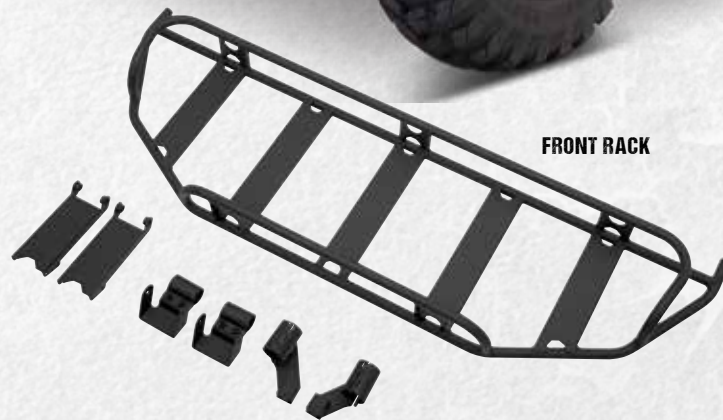
BRUSH GUARD

Helps add protection and aggressive style to the front of your vehicle with this durable laser cut, formed steel brush guard. Powder coated in textured black to match the stock front bumper for a uniform look. Built-in headlight guards. Mounting tabs for the Kawasaki Genuine LED Light Bar (KAF080-048). Steel 38mm (1½") diameter tubing / 2.1mm (8/100") wall thickness. Does not interfere with Kawasaki Genuine Winch Mount (99994-0687) or Plow System.

MULE PRO-FXT™ (15-18) / PRO-DXT™ (16-18) / PRO-FX™ (16-18) / PRO-DX™ (16-18)

BRUSH GUARD.....99994-0412.....\$219.95

Realtree APG-XTRA Camouflage Design ©2012 of Jordan Outdoor Enterprises, Ltd., All Rights Reserved



FRONT RACK



BRUSH GUARD



GUARDS



SKID PLATES

Helps protect your drivetrain and chassis with a durable brushed aluminum Kawasaki Genuine Skid Plate - Made of 4.7mm ($\frac{3}{16}$ ") thick 5052 aluminum - Brushed aluminum finish

MULE PRO-FXT® (15-18) / PRO-DXT™ (16-18) / PRO-FX® (16-18) / PRO-DX® (16-18)

FRONT SKID PLATE.....99994-0438.....\$459.95

MID SKID PLATE.....99994-0439.....\$349.95

REAR SKID PLATE.....99994-0512.....\$389.95

CV JOINT GUARD SET

While operating your vehicle in rough terrain, these lightweight CV Joint Guards help protect your a-arms, axles, brake-lines and CV Boots. In addition, the full-coverage design adds a custom look to your vehicle. Made of 4.7mm (3/16") thick 5052 aluminum. Brushed aluminum finish.

MULE PRO-FXT™ (15-18) / PRO-DXT™ (16-18) / PRO-FX™ (16-18) / PRO-DX™ (16-18)

FRONT CV JOINT GUARD SET 99994-0428 \$149.95

REAR CV JOINT GUARD SET 99994-0429 \$149.95



FRONT CV JOINT GUARD SET



REAR CV JOINT GUARD SET





LIGHTING



LED LIGHT BAR

Work or play, some things need to get done after the sun goes down · 2,200 lumens · Flood and Driving beam patterns available · UV-resistant polycarbonate lens · Rugged solid state LEDs can withstand shock and vibration · Long-lasting LEDs means more time between replacement bulbs · Die-cast aluminum housing helps provide added protection · 12V DC Input · 4 Amp draw · Requires Brush Guard (99994-0412), Accessory Fuse Box (99994-1082) (18) or (KAF080-076) (15-17) and LED Light Bar Harness Kit (KAF080-020) sold separately · LED Light Bar Harness Kit includes switch, wire harness and mounting hardware · SAE J1113 (Class 21) ECE Reg. 10 Compliant

MULE PRO-FXT™ (15-18) / PRO-DXT™ (16-18) / PRO-FX™ (16-18) / PRO-DX™ (16-18)

LED LIGHT BAR.....KAF080-048.....\$399.95

LED LIGHT BAR HARNESS KIT.....KAF080-020.....\$59.95



LED HEADLIGHT SET

Add these high output LED Headlights to your base model MULE PRO-FXT™ / MULE PRO-DXT™ / MULE PRO-FX™ / MULE PRO-DX™ side x side · Five individual LEDs in each light · Emit a brighter white temperature · Stock component on LE, Realtree® Xtra® Green and Ranch Edition models

MULE PRO-FXT™ (15-18) / PRO-DXT™ (16-18) / PRO-FX™ (16-18) / PRO-DX™ (16-18)

LED HEADLIGHT SET (18).....99994-1071.....\$359.95

LED HEADLIGHT SET (15-17).....99994-0539.....\$399.95



Realtree APG-XTRA Camouflage Design ©2012 of Jordan Outdoor Enterprises, Ltd., All Rights Reserved

WARN®, the WARN logo and THE RED HOOK STRAP are registered trademarks of Warn Industries, Inc. ProVantage™ and Vantage™ are trademarks of Warn Industries, Inc.



**CARGO BED MAT
TWO-PIECE SET
MULE PRO-FXT™ / MULE PRO-DXT™**



CARGO BED LIFT

CARGO BED LIFT

Raise and lower your cargo bed with a hydraulic Cargo Bed Lift - Self-contained hydraulic system; no hoses, no reservoir to fill or top off, no bleeding process - Durable steel construction

MULE PRO-FXT™ (15-18) / PRO-DXT™ (16-18) / PRO-FX™ (16-18) / PRO-DX™ (16-18)

CARGO BED LIFT.....KAFO80-002.....\$999.95



**CARGO BED MAT
ONE-PIECE
MULE PRO-FX™ / MULE PRO-DX™**

CARGO BED MAT - TWO PIECE

Help protect your cargo bed base with these tough 4.7mm ($\frac{3}{16}$ ") thick rubber mats - Unique two-piece design does not interfere with transition from long to short bed mode - Extra thick rubber helps prevent cargo from sliding - Reduces sound levels caused from vibration

MULE PRO-FXT™ (15-18) / PRO-DXT™ (15-18)

CARGO BED MAT.....KAFO80-038.....\$154.95

CARGO BED MAT - ONE PIECE

Help protect your cargo bed base with this tough 4.7mm ($\frac{3}{16}$ ") extra thick rubber mat - Extra thick rubber helps prevent cargo from sliding - Reduces sound levels caused from vibration - 4.7mm ($\frac{3}{16}$ ") thick black molded rubber

MULE PRO-FX™ (16-18) / PRO-DX™ (16-18)

CARGO BED MAT.....KAFO80-065.....\$174.95

BED ACCESSORIES



CARGO BED DIVIDER

CARGO BED DIVIDER

Roto molded PE plastic panel designed to fit perfectly in the slots of the MULE PRO-FXT™ / PRO-DXT™ / PRO-FX™ / PRO-DX™ side x side bed sides in multiple configurations · Kit includes one panel that divides the bed into two sections for convenient loading · Additional kits can be added to further divide the cargo bed

MULE PRO-FXT™ (15-18) / PRO-DXT™ (16-18) / PRO-FX™ (16-18) / PRO-DX™ (16-18)

CARGO BED DIVIDER.....KAFO80-037.....\$74.95

KQR™ CARGO BED EXTENDER

Extend your usable cargo space by 203mm (8") with this durable roto-molded plastic Bed Extender · Simply lower the tailgate and attach the extender to the bed rails with two KQR™ clamps · Easily adjust to different cargo sizes by sliding the clamps forward or backward or by reversing the entire Bed Extender to create a divider · Two KQR™ Accessory Mounts included

MULE PRO-FXT™ (15-18) / PRO-DXT™ (16-18) / PRO-FX™ (16-18) / PRO-DX™ (16-18)

KQR™ CARGO BED EXTENDER.....KAFO80-022.....\$179.95



KQR™ CARGO BED EXTENDER



QQR™ CARGO BOX



QQR™ CARGO BOX

Add storage within your vehicle's cargo bed in seconds · Quickly attaches to either cargo bed rail · Ample internal storage space for transporting tools, equipment, straps, tie-downs, emergency kits, trail snacks, etc... · QQR™ Cargo Box measures 356mm (14") L x 356mm (14") W x 432mm (17") H · Material: Molded LDPE black plastic · Includes internal tool tray · Requires qty. 2 QQR™ Accessories Mounts (KAF080-012), sold separately

MULE PRO-FXT™ (15-18) / PRO-DXT™ (16-18) / PRO-FX™ (16-18) / PRO-DX™ (16-18)

QQR™ CARGO BOX.....KAF080-017.....\$84.95

BED ACCESSORIES



KQR™ ACCESSORIES MOUNT

KQR™ ACCESSORIES MOUNT

Required for quick-mounting the KQR™ Cargo Box and KQR™ Gun Boot Mount to the vehicle bed and rear cab rail · Constructed of black anodized aluminum for durability · Mounts are sold individually · Refer to each KQR™ accessory for the quantity of mounts required

MULE PRO-FXT™ (15-18) / PRO-DXT™ (16-18) / PRO-FX™ (16-18) / PRO-DX™ (16-18)

KQR™ ACCESSORIES MOUNT..... KAF080-012.....\$19.95

KOLPIN® GUN BOOT® 6.0 TRANSPORT

Securely transport and conveniently store your rifle with the Kolpin® Gun Boot® 6.0 Transport · Extra-large interior features two layers of dense closed cell foam for protection · Exterior black plastic finish · Large enough to accommodate a variety of fire-arms, including: rifles up to 1,295mm (51") in total length, scopes up to 60mm, pistol grip type guns, and left and right hand bolt action weapons · Includes Cardura® soft case designed to fit within the hard case · Mounts securely in bed utilizing KQR™ Gun Boot Mount (KAF080-013), and qty. 2 KQR™ Accessories Mounts (KAF080-012) sold separately

MULE PRO-FXT™ (15-18) / PRO-DXT™ (16-18) / PRO-FX™ (16-18) / PRO-DX™ (16-18)

KOLPIN® GUN BOOT® 6.0 TRANSPORT KP20020 \$103.95



"Kolpin" and "Gun Boot" are registered trademarks of Kolpin Outdoors, Inc.

KQR™ GUN BOOT MOUNT

The KQR™ Gun Boot Mount allows for secure, convenient weapon storage within the bed of your vehicle · KQR™ installation system allows you to quickly add or remove mounts as needed · For use with Kolpin® Gun Boot® 6.0 Transport (KP20020) sold separately · For the MULE PRO-FXT™ / PRO-DXT™ side x side a total of six rifles can be installed while vehicle is in 3-passenger mode and three rifles while in 6-passenger mode · Made of steel with black powder coat finish · Requires qty. 2 KQR™ Accessories Mounts (KAF080-012) sold separately

MULE PRO-FXT™ (15-18) / PRO-DXT™ (16-18) / PRO-FX™ (16-18) / PRO-DX™ (16-18)

KQR™ GUN BOOT MOUNT KAF080-013 \$59.95





HUNTING

SEAT COVER

Help protect your front and rear bench seats from the hunt while blending into your surroundings with these color-matched Realtree® Xtra® Green Seat Covers · Quick installation · Made from heavy Realtree® Xtra® Green canvas · Features an elastic band along the cover's edge · O.E.M. quality fit · Machine washable · Sold individually; for a complete set order qty 2

MULE PRO-FXT™ (15-18) / PRO-DXT™ (16-18) / PRO-FX™ (16-18) / PRO-DX™ (16-18)

REALTREE® XTRA® GREENKAF080-039.....\$76.95

Realtree APG-XTRA Camouflage Design ©2012 of Jordon Outdoor Enterprises, Ltd., All Rights Reserved





TOWING

HITCH COMPONENTS

Heavy duty 51 mm (2") steel Hitch Drawbar with welded gusset · Hitch Pin and clip included with Hitch Drawbar and also sold separately · 48mm (1 7/8") Hitch Ball with 19mm (3/4") diameter shank, and 51mm (2") Hitch Ball with 19mm (3/4") diameter available · When using Hitch Balls with a 19mm (3/4") shank, a Reducer Bushing (TRL36A) is required

MULE PRO-FXT™ (15-18) / PRO-DXT™ (16-18) / PRO-FX™ (16-18) / PRO-DX™ (16-18)

HITCH DRAWBAR.....	TX750-015.....	\$36.95
CHROME HITCH BALL 2".....	KAF136.....	\$16.95
CHROME HITCH BALL 1 7/8".....	KAF127.....	\$15.95
HITCH PIN 5/8".....	TLR39.....	\$8.95
REDUCER BUSHING.....	TLR36A.....	\$14.95

HITCH PIN



HITCH DRAWBAR

REDUCER BUSHING



CHROME HITCH BALL

COVERS



MULE PRO-FXT™ / MULE PRO-DXT™



MULE PRO-FX™ / MULE PRO-DX™

STORAGE COVER

- Help protect your vehicle during storage with this premium cover
- Durable gray polyester fabric · UV resistant to prevent fading
 - Features silk screened Kawasaki logos for a O.E.M. appearance

Remove for towing or use an enclosed trailer when transporting a vehicle with a Storage Cover installed

MULE PRO-FXT™ (15-18) / PRO-DXT™ (16-18)

STORAGE COVER.....KAF080-040.....\$239.95

MULE PRO-FX™ (16-18) / PRO-DX™ (16-18)

STORAGE COVER.....KAF080-073.....\$239.95

HARD CAB ENCLOSURE PACKAGE

OUTFIT YOUR VEHICLE WITH A HARD CAB ENCLOSURE. THE HARD CAB ENCLOSURE HELPS PROVIDE IN-CABIN COMFORT AND OCCUPANT PROTECTION FROM THE WEATHER.

MULE PRO-FXT™ / MULE PRO-DXT™



HARD CAB ENCLOSURE, ROOF AND FRAME
HARD CAB ENCLOSURE, FRONT DOOR SET
HARD CAB ENCLOSURE, REAR DOOR SET
KQR™ FULL WINDSHIELD, GLASS OR
KQR™ FULL WINDSHIELD, PLASTIC OR
FLIP-UP POLYCARBONATE WINDSHIELD
SIDE MIRROR SET
HEAVY-DUTY SPRING SET





MULE PRO-FX™ / MULE PRO-DX™



- HARD CAB ENCLOSURE ROOF
- HARD CAB ENCLOSURE REAR PANEL
- HARD CAB ENCLOSURE DOOR SET
- KQR™ FULL WINDSHIELD, GLASS OR
- KQR™ FULL WINDSHIELD, PLASTIC OR
- FLIP-UP POLYCARBONATE WINDSHIELD
- SIDE MIRROR SET
- HEAVY-DUTY SPRING SET

RECREATION PACKAGE

TAKE ON THE TRAIL WHILE HELPING
TO PROTECT YOUR VEHICLE WITH THIS
RECREATION PACKAGE. EACH ACCESSORY
HAS BEEN SELECTED TO HELP CREATE A
COMFORTABLE DAY ON THE TRAIL

MULE PRO-FXT™ / MULE PRO-DXT™



PLASTIC ROOF
KQR™ CARGO BOX
AUDIO SYSTEM
BRUSH GUARD
REAR BUMPER
REARVIEW MIRROR
KQR™ ACCESSORIES MOUNT
KQR™ HALF WINDSHIELD





MULE PRO-FX™ / MULE PRO-DX™



- PLASTIC ROOF
- KQR™ CARGO BOX
- AUDIO SYSTEM
- BRUSH GUARD
- REAR BUMPER
- REARVIEW MIRROR
- KQR™ ACCESSORIES MOUNT
- KQR™ HALF WINDSHIELD

SNOW PLOW PACKAGE

**WHY WASTE TIME REMOVING SNOW
MANUALLY? INSTALL THE SNOW PLOW
PACKAGE ON YOUR VEHICLE AND REMOVE
SNOW FROM YOUR DRIVEWAY FASTER**

MULE PRO-FXT™ / MULE PRO-DXT™



WINCH MOUNT

WARN® PROVANTAGE™ PLOW MOUNT

WARN® PROVANTAGE™ PLOW BASE

WARN® PROVANTAGE™ PLOW BLADE

ACCESSORY FUSE BOX

CHOICE OF WINCH

WARN® WINCH - PROVANTAGE 4500

WARN® WINCH - PROVANTAGE 4000S

WARN® WINCH - VANTAGE 4000

WARN® WINCH - VANTAGE 4000S





MULE PRO-FX™ / MULE PRO-DX™



WARN®©, the WARN logo and THE RED HOOK STRAP are registered trademarks of Warn Industries, Inc. ProVantage™ and Vantage™ are trademarks of Warn Industries, Inc.



WINCH MOUNT

WARN® PROVANTAGE™ PLOW MOUNT
WARN® PROVANTAGE™ PLOW BASE
WARN® PROVANTAGE™ PLOW BLADE
ACCESSORY FUSE BOX

CHOICE OF WINCH

WARN® WINCH - PROVANTAGE 4500
WARN® WINCH - PROVANTAGE 4000S
WARN® WINCH - VANTAGE 4000
WARN® WINCH - VANTAGE 4000S

HUNTING PACKAGE

TAKE ON THE WILDS WHILE HELPING
TO CONCEAL YOUR VEHICLE WITH
THIS HUNTING PACKAGE. EACH
ACCESSORY HAS BEEN SELECTED
TO HELP CREATE A COMFORTABLE
DAY OUT HUNTING

MULE PRO-FXT™ / MULE PRO-DXT™



SOFT CAB ENCLOSURE, REALTREE® XTRA® GREEN
SOFT CAB ENCLOSURE DOOR SET, REALTREE® XTRA® GREEN
KQR™ FULL WINDSHIELD, PLASTIC
FLIP-UP POLYCARBONATE WINDSHIELD
SEAT COVER, REALTREE® XTRA® GREEN
KQR™ ACCESSORIES MOUNT
KQR™ GUN BOOT MOUNT
KOLPIN® GUN BOOT® 6.0 TRANSPORT



MULE PRO-FX™ / MULE PRO-DX™



"Kolpin" and "Gun Boot" are registered trademarks of Kolpin Outdoors, Inc.

SOFT CAB ENCLOSURE, REALTREE® XTRA® GREEN
SOFT CAB ENCLOSURE DOOR SET, REALTREE® XTRA® GREEN
KQR™ FULL WINDSHIELD, PLASTIC
FLIP-UP POLYCARBONATE WINDSHIELD
SEAT COVER, REALTREE® XTRA® GREEN
KQR™ ACCESSORIES MOUNT
KQR™ GUN BOOT MOUNT
KOLPIN® GUN BOOT® 6.0 TRANSPORT

Realtree APG-XTRA Camouflage Design ©2012 of Jordan Outdoor Enterprises, Ltd., All Rights Reserved



CHECK OUT THE FULL LINE OF GENUINE ACCESSORIES ONLINE



Purchase online or
Find a dealer near you!



KAWASAKI.COM/ACCESSORIES

Kawasaki Motors Corp., U.S.A.

©2017 Kawasaki Motors Corp., U.S.A. Printed in USA

Manufacturer's suggested retail prices shown. Prices, product and specifications are subject to change without notice or liability. Availability is subject to production, stocking and demand.

www.kawasaki.com/accessories

P/N: K918ML-ACC

All other trademarks, registered trademarks, logos, and copyrights are the property of their respective owners.

MULE
PRO-FXT[®]

MULE
PRO-FX[™]

MULE
PRO-DXT[™]

MULE
PRO-DX[™]